



Husqvarna®



K 4000

EN	Operator's manual	2-25
FR	Manuel d'utilisation	26-50
NL	Gebruiksaanwijzing	51-75
DE	Bedienungsanweisung	76-101

Contents

INTRODUCTION.....	2	MAINTENANCE.....	20
SAFETY.....	4	TRANSPORTATION, STORAGE AND DISPOSAL.....	22
ASSEMBLY.....	9	TECHNICAL DATA.....	23
OPERATION.....	14	EC DECLARATION OF CONFORMITY.....	25

INTRODUCTION

Owner responsibility

It is the owner's/employer's responsibility that the operator has sufficient knowledge about how to use the product safely. Supervisors and operators must have read and understood the Operator's Manual. They must be aware of:

- The products's safety instructions.
- The products's range of applications and limitations.
- How the product is to be used and maintained.

National legislation could regulate the use of this product. Find out what legislation is applicable in the place where you work before you start using the product.

Product description

K 4000 is a high speed handheld power cutter designed to cut hard materials like masonry or steel. It should not be used for any purpose not described in this manual. Safe operation of this product requires the operator to read this manual carefully. Ask your dealer or Husqvarna if you need more information.

Design and features

Features

K 4000 is made with innovative technology for high performance and reliability, and provides advanced technical solutions and environmental considerations.

Some of the unique features of K 4000 are described below.

Elgard™

Elgard™ is an electronic overload protection that protects the motor. The protection spares the machine and extends its service life. With the help of Elgard™, the machine indicates when it approaches maximum load.

Softstart™

Softstart™ is an electronic current limiter which provides a softer start.

Vac attachment accessory (not supplied)

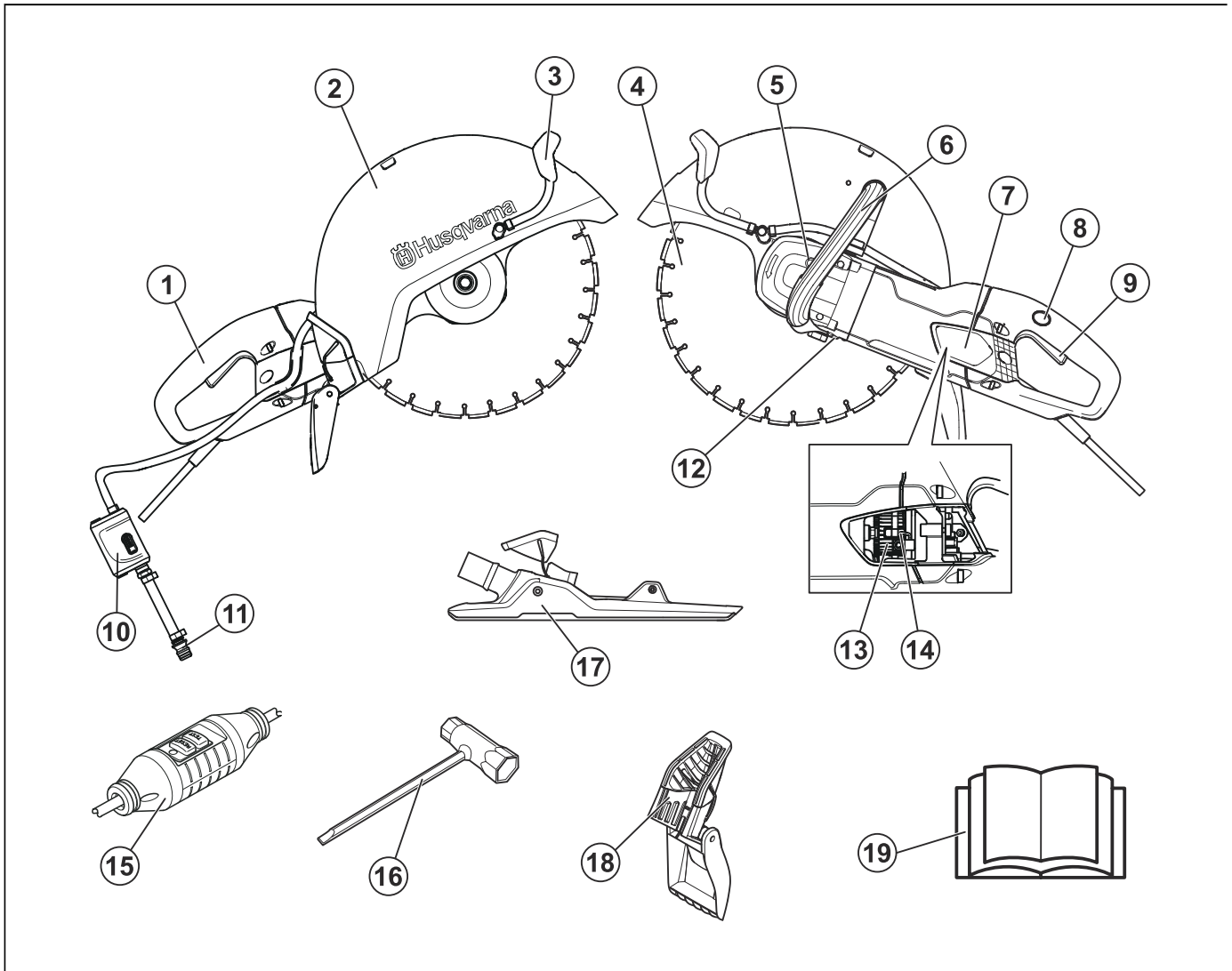
The Vac attachment is easily attached to the machine and connected to the vacuum cleaner / dust collector for effective dust management when dry cutting.

Intended use

This product is designed and intended for cutting tile and stone. All other use is improper.

The product is intended for use in industrial applications by experienced operators.

Product overview



1. Rear handle
2. Blade guard
3. Water kit
4. Cutting blade (not supplied)
5. Locking the axle
6. Front handle
7. Inspection cover
8. Power switch lock
9. Power switch
10. Water tap with flow limiter
11. Water connector
12. Rating plate
13. Brush retainer
14. Carbon brushes
15. Residual-current device (not for UK and Irland)
16. Combination spanner
17. Vac attachment (accessory, not supplied)
18. Splash guard
19. Operator's manual

Symbols on the product



WARNING! The product can be a dangerous tool if used incorrectly or carelessly, which can cause serious or fatal injury to the operator or others.



Please read the operator's manual carefully and make sure you understand the instructions before using the product.



Wear personal protective equipment. See *Personal protective equipment on page 7* for instructions.



This product is in accordance with applicable EC directives.



WARNING! Dust forms when cutting, this can cause injuries if inhaled. Use an approved breathing mask. Avoid inhaling exhaust fumes. Always provide for good ventilation.



WARNING! Sparks from the cutting blade can cause fire in combustible materials such as: petrol (gas), wood, clothes, dry grass, etc.



WARNING! Kickbacks can be sudden, rapid and violent and can cause life threatening injuries. Read and understand the instructions in the manual before using the product.



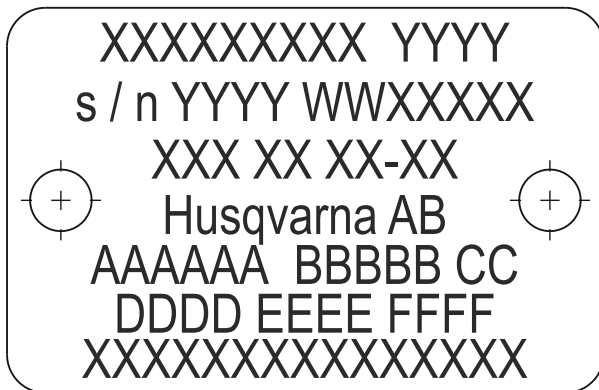
WARNING! Ensure the blades are not cracked or damaged in any other way.



WARNING! Do not use circular saw blades.

Note: Other symbols/decals on the product refer to special certification requirements for certain markets.

Type plate



Row 1: Brand, Model (X, Y)

Row 2: Serial No. with manufacturing date (Y, W, X): Year, Week, Sequence No.

Row 3: Product No (X)

Row 4: Manufacturer

Row 5: A: Max. speed of output shaft, B: Cutting blade diameter, C: Blade bolt diameter

Row 6: D: Input voltage, E: Input current, F: Input frequency

Row 7: Country of origin

Product liability

As referred to in the product liability laws, we are not liable for damages that our product causes if:

- the product is incorrectly repaired.
- the product is repaired with parts that are not from the manufacturer or not approved by the manufacturer.
- the product has an accessory that is not from the manufacturer or not approved by the manufacturer.
- the product is not repaired at an approved service center or by an approved authority.

SAFETY

Safety definitions

Warnings, cautions and notes are used to point out specially important parts of the operator's manual.



WARNING: Used if there is a risk of injury or death for the operator or bystanders if the instructions in the manual are not obeyed.



CAUTION: Used if there is a risk of damage to the product and/or the attachment, other materials or the adjacent area if the instructions in the manual are not obeyed.

Note: Used to give more information that is necessary in a given situation.

General safety instructions

It is not possible to cover every conceivable situation you might be exposed to. Always exercise care and use your common sense. If you get into a situation where you feel unsafe, stop and seek expert advice. Contact your dealer, service agent or an experienced user. Do not attempt any task that you feel unsure of!

Note: Save all warnings and instructions for future reference.



WARNING: Read all safety warnings and all instructions.



WARNING: Never use a product that has faulty safety equipment! If your product fails any checks contact your service agent to get it repaired.



WARNING: Please read the operator's manual carefully and make sure you understand the instructions before using the product. It is recommended that first time operators also obtain practical instruction before using the product.



WARNING: Keep in mind that it is you, the operator that is responsible for not exposing people or their property to accidents or hazards.



WARNING: The product must be kept clean. Signs and stickers must be fully legible.



WARNING: The product can be a dangerous tool if used incorrectly or carelessly, which can cause serious or fatal injury to the operator or others.



WARNING: Never allow children or other persons not trained in the use of the product to use or service it.



WARNING: The product is not intended for use by persons (including children) with reduced physical, sensory or mental capabilities, or lack of experience and knowledge.



WARNING: Never allow anyone else to use the product without first ensuring that they have read and understood the contents of the operator's manual.



WARNING: Never use the product if you are fatigued, while under the influence of alcohol or drugs, medication or anything that could affect your vision, alertness, coordination or judgement.



WARNING: Unauthorized modifications and/or accessories may lead to serious injury or death to the user or others. Under no circumstances may the design of the product be modified without the permission of the manufacturer.



WARNING: Do not modify this product or use it if it appears to have been modified by others.



WARNING: Never use a product that is faulty. Carry out the safety checks, maintenance and service instructions described in this manual. Some maintenance and service measures must be carried out by trained and qualified specialists. See *MAINTENANCE on page 20* for instructions.



WARNING: Always use genuine accessories.



WARNING: This product produces an electromagnetic field during operation. This field may under some circumstances interfere with active or passive medical implants. To reduce the risk of serious or fatal injury, we recommend persons with medical implants to consult their physician and the medical implant manufacturer before operating this product.

Safety instructions for assembly



WARNING: Read the following warning instructions carefully before using the product.



WARNING: Never use a cutting blade for any other materials than what it was intended to cut.



WARNING: Never use a diamond blade to cut plastic material. The heat produced during cutting may melt the plastic and it can stick to the cutting blade and cause a kickback.



WARNING: Diamond blades become very hot when used. An overheated blade is a result of improper use, and may cause deformation of the blade, resulting in damage and injuries.



WARNING: A cutting blade may burst and cause injury to the operator.



WARNING: The cutting blade manufacturer issues warnings and recommendations for the use and proper care of the cutting blade. Those warnings come with the cutting blade. Read and follow all instructions from the cutting blade manufacturer.



WARNING: A cutting blade should be checked before it is assembled on the saw and frequently during use. Look for cracks, lost segments (diamond blades) or pieces broken off. Do not use a damaged cutting blade.



WARNING: Test the integrity of each new cutting blade by running it at full throttle for about 1 minute.



WARNING: Never use a cutting blade with a lower speed rating than that of the power cutter. Only use cutting blades intended for handheld high speed power cutters.



WARNING: Do not use abrasive blades with water. The strength is impaired when abrasive blades are exposed to water or moisture, which results in an increased risk of the blade breaking.



WARNING: Use only blades which are in compliance with national or regional standards/regulations, for example EN 13236 or EN 12413 or ANSI B7.1.



WARNING: Cutting metal generates sparks that may cause fire. Do not use the machine near ignitable substances or gases.



WARNING: Cutting metal is not allowed with the Vac attachment.



WARNING: Never use toothed blades such as wood cutting blades, circular toothed blades, carbide tipped blades, etc. The risk

of kickback is significantly increased and tips can be torn off and thrown at high speed. Carelessness can result in serious personal injury or even death.



WARNING: Government regulation requires a different type of guarding for carbide tipped blades not available on power cutters – a 360 degree guard. Power Cutters (this saw) use Abrasive or Diamond blades and have a different guarding system which does not provide protection against the dangers presented by wood cutting blades.

Note: Cutting with abrasive discs is not allowed with the Vac attachment. Use of abrasive discs causes unnatural wear on the Vac attachment.

Safety instructions for operation

Work area safety



WARNING: The safety distance for the power cutter is 15 metres (50 foot). You are responsible to ensure that animals and onlookers are not within the working area. Do not start cutting until the working area is clear and you are standing firmly.

- Keep work area clean and well lit.
- Do not operate power tools in explosive atmospheres, such as in the presence of flammable liquids, gases or dust.
- Keep children and bystanders away while operating a power tool.
- Observe your surroundings to ensure that nothing can affect your control of the product.
- Ensure that no persons or objects can come into contact with the cutting equipment or be hit by parts thrown by the blade.
- Do not use the product in bad weather, such as dense fog, heavy rain, strong wind, intense cold, etc. Working in bad weather is tiring and can lead to dangerous conditions, such as slippery surfaces.
- Never start to work with the product before the working area is clear and you have a firm foothold. Look out for any obstacles with unexpected movement.
- Ensure when cutting that no material can become loose and fall, causing injury to the operator. Take great care when working on sloping ground.
- Ensure that the working area is sufficiently illuminated to create a safe working environment.
- Make sure that no pipes or electrical cables are routed in the working area or in the material to be cut.

- If cutting into a container (drum, pipe, or other container) you must first make sure it does not contain flammable or other volatile material.

Electrical safety



WARNING: The product (United Kingdom and Ireland 110V) is not equipped with a ground fault circuit interrupter. The machine must always be used with an isolating transformer for protection in case an electrical fault should occur.



WARNING: Do not wash the machine with water, as water can enter the electrical system or the engine and cause damage to the machine or short circuit.

- **Power tool plugs must match the outlet. Never modify the plug in any way. Do not use any adapter plugs with earthed (grounded) power tools.** Unmodified plugs and matching outlets will reduce the risk of electric shock.
- **Avoid body contact with earthed or grounded surfaces, such as pipes, radiators, ranges and refrigerators.** There is an increased risk of electric shock if your body is earthed or grounded.
- **Do not expose the power tool to rain or wet conditions.** Water entering a power tool will increase the risk of electric shock.
- **Do not abuse the cord. Never use the cord for carrying, pulling or unplugging the power tool. Keep cord away from heat, oil, sharp edges or moving parts.** Damaged or entangled cords increase the risk of electric shock.
- **When operating a power tool outdoors, use an extension cord suitable for outdoor use.** Use of a cord suitable for outdoor use reduces the risk of electric shock.
- **If operating a power tool in a damp location is unavoidable, use a residual current device (RCD) protected device. Use of an RCD reduces the risk of electric shock.**
- Check that the cord and extension cord are intact and in good condition. Never use the machine if the cord is damaged, hand it in to an authorized service workshop for repair.
- To avoid overheating do not use the extension cord while it is rolled up.
- When using an extension cable, use only certified extension cables with sufficient reach. For more information, see *Technical data on page 23* section. An undersized cable means a risk of reduced machine capacity and overheating.
- The machine should be connected to an earthed outlet socket. Check that the mains voltage corresponds with that stated on the rating plate on the machine.
- Ensure the cord is behind you when you start to use the machine so that the cord will not be damaged.

Personal safety

- **Stay alert, watch what you are doing and use common sense when operating a power tool. Do not use a power tool while you are tired or under the influence of drugs, alcohol or medication.** A moment of inattention while operating power tools may result in serious personal injury.
- **Use personal protective equipment. Always wear eye protection.** Protective equipment such as a dust mask, non-skid safety shoes, hard hat, or hearing protection used for appropriate conditions will reduce personal injuries.
- Avoid accidental starting. Ensure that the switch is in the OFF-position before plugging in.
- **Prevent unintentional starting. Ensure the switch is in the OFF-position before connecting to power source and/or battery pack, picking up or carrying the tool.** Carrying power tools with your finger on the switch or energising power tools that have the switch on, can result in accidents.
- **Remove any adjusting key or wrench before turning the power tool on.** A wrench or a key left attached to a rotating part of the power tool may result in personal injury.
- **Do not overreach. Keep proper footing and balance at all times.** This enables better control of the power tool in unexpected situations.
- **Dress properly. Do not wear loose clothing or jewellery. Keep your hair, clothing and gloves away from moving parts.** Loose clothes, jewellery or long hair can be caught in moving parts.
- **If devices are provided for the connection of dust extraction and collection facilities, ensure these are connected and properly used.** Dust collection can reduce dust-related hazards.
- Remain at a distance from the blades when the engine is running.
- Overexposure to vibration can lead to circulatory damage or nerve damage in people who have impaired circulation. Contact your doctor if you experience symptoms of overexposure to vibration. Such symptoms include numbness, loss of feeling, tingling, pricking, pain, loss of strength, changes in skin colour or condition. These symptoms normally appear in the fingers, hands or wrists. These symptoms may be increased in cold temperatures.

Personal protective equipment



WARNING: Products such as cutters, grinders or drills, that sand or form material can generate dust and vapors, which may contain hazardous chemicals. Check the nature of the material you intend to process and use an appropriate breathing mask.



WARNING: Always use approved hearing protection. Long-term exposure to noise can result in permanent hearing impairment. Be

aware of warning signals or shouts when you are wearing hearing protection. Always remove your hearing protection as soon as the motor stops.



WARNING: There is always a risk of crush injuries when working with products containing moving parts. Wear protective gloves to avoid body injuries.



WARNING: Sparks may appear and start a fire when you work with the product. Always keep fire fighting equipment handy.

You must use approved personal protective equipment when you use the product. Personal protective equipment cannot eliminate the risk of injury but it will reduce the degree of injury if an accident does happen. Ask your dealer for help in choosing the right equipment.

Always wear:

- Approved protecting helmet.
- Hearing protection.
- Approved eye protection. If you use a face shield then you must also wear approved protective goggles. Approved protective goggles must comply with standard ANSI Z87.1 in the USA or EN 166 in EU countries. Visors must comply with standard EN 1731.
- Approved respiratory protection.
- Protective gloves.
- Heavy-duty, firm grip gloves.
- Tight-fitting, heavy-duty and comfortable clothing that permits full freedom of movement. Cutting generates sparks that can ignite clothing. Husqvarna recommends that you wear flame-retardant cotton or heavy denim. Do not wear clothing made of material such as nylon, polyester or rayon. If ignited such material can melt and cling to the skin. Do not wear shorts.
- Boots with steel toe-caps and non-slip sole.

Always have a first aid kit and firefighting equipment nearby.

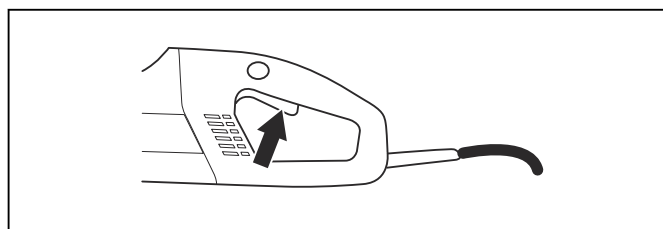
Safety devices on the product



WARNING: Read the following warning instructions carefully before using the product.

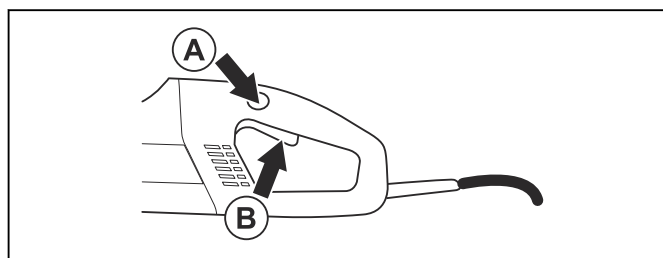
Power switch

Press the power switch to start the power cutter and release the switch stop the power cutter.



Power switch lock

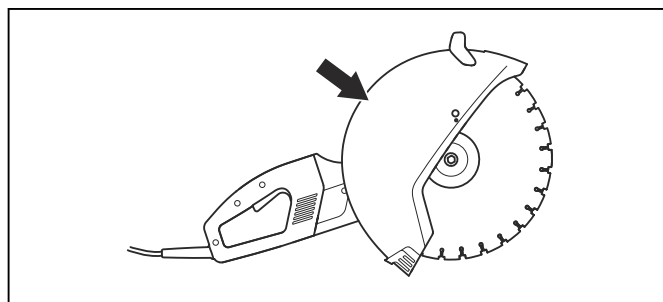
The power switch lock is designed to prevent accidental operation of the switch. Press the power lock switch (A) to release the power switch (B).



The power switch lock remains released as long as the power switch is released. When the grip on the handle is released both the power switch and power switch lock are reset. This movement is controlled by two independent return springs. This position results in the machine stopping and the power switch being locked.

Blade guard

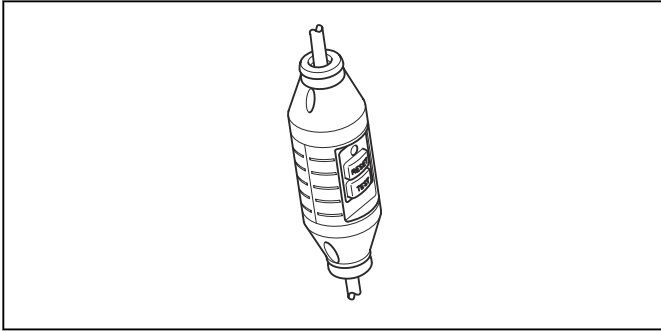
This guard is fitted above the cutting blade and is designed to prevent parts of the blade or cutting fragments from being thrown towards the user.



Residual-current device

Ground fault circuit interrupters are for protection in case an electrical fault should occur.

The LED indicates that the ground fault circuit interrupter is on and that the machine can be switched on. If the LED is not on, push the RESET button (green).



Safety instructions for maintenance



WARNING: The user must only carry out the maintenance and service work described in this Operator's Manual. More extensive work

must be carried out by an authorized service workshop.



WARNING: The engine should be switched off, and the stop switch in STOP position.



WARNING: Wear personal protective equipment. See *Personal protective equipment on page 7*.



WARNING: The lifespan of the product can be reduced and the risk of accidents can increase if product maintenance is not carried out correctly and if service and/or repairs are not carried out professionally. If you need further information please contact your nearest service workshop.



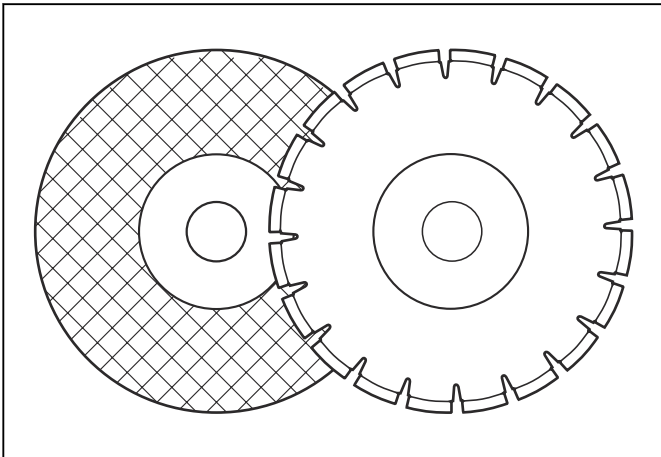
CAUTION: Let your Husqvarna dealer regularly check the product and make essential adjustments and repairs.

ASSEMBLY

Cutting blades

Husqvarna blades are high speed blades approved for hand held power cutters.

- Cutting blades are available in two basic designs: abrasive blades and diamond blades.



- High-quality blades are often most economical.
- Lower quality blades often have inferior cutting capacity and a shorter service life, which results in a higher cost in relation to the quantity of material that is cut.
- Make sure that the right bushing is used for the cutting blade to be fitted on the product. For instructions, see *To fit the cutting blade on page 13*.

Suitable cutting blades

Cutting blades	K 4000	K 4000 with a Vac attachment
Abrasive blades	Yes*	No
Diamond blades	Yes	Yes
Toothed blades	No	No

*Without water.

For more information, see *Technical data on page 23*.

Cutting blades for different material



WARNING: Never use a cutting blade for any other materials than what it was intended to cut.



WARNING: Never use a diamond blade to cut plastic material. The heat produced during cutting may melt the plastic and it can stick to the cutting blade and cause a kickback.



WARNING: Cutting metal generates sparks that may cause fire. Do not use the product near ignitable substances or gases.



WARNING: Cutting metal is not allowed with the Vac attachment.

- Follow the instructions supplied with the cutting blade concerning the suitability of the blade for various applications or consult your dealer.

	Concrete	Metal	Plastic	Cast iron
Abrasive blades*	X	X*	X	X
Diamond blades	X	X**	----	X**

*Only without the Vac attachment.

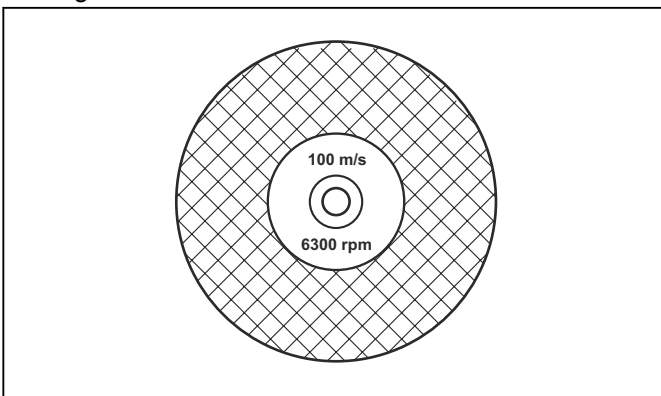
**Only specialty blades. Only without the Vac attachment.

Cutting blades for handheld high speed power cutters



WARNING: Never use a cutting blade with a lower speed rating than that of the power cutter. Only use cutting blades that are in compliance with national or regional standards, for example EN 13236 or EN 12413 or ANSI B7.1.

- Many cutting blades that might fit this power cutter are intended for stationary saws and have a lower speed rating than what is needed for this handheld power cutter. Cutting blades with a lower speed rating shall never be used on this power cutter.
- Husqvarna cutting blades are manufactured for high speed, portable power cutters.
- Check that the blade is approved for the same or higher speed according to the approval plate of the engine.



Blade vibration

- The blade can become out-of-round and vibrate if an excessive feed pressure is used.
- A lower feed pressure can stop the vibration. Otherwise replace the blade.

Abrasive blades

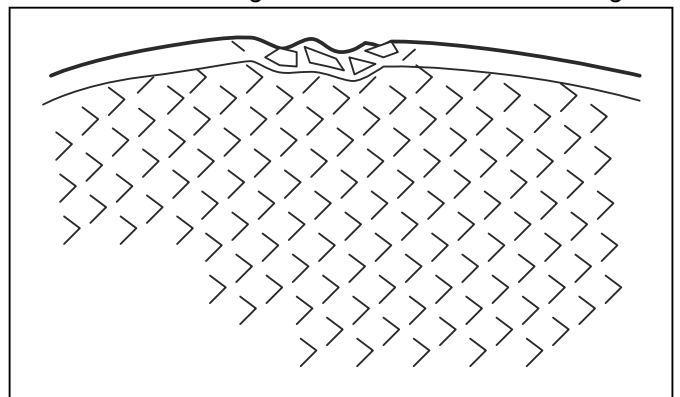


WARNING: Do not use abrasive blades with water. The strength is impaired when abrasive blades are exposed to water or moisture, which results in an increased risk of the blade breaking.

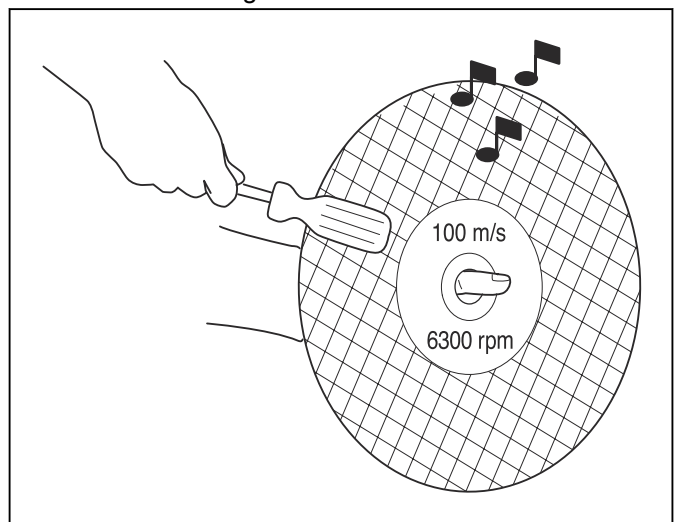


CAUTION: Cutting with abrasive blade is not allowed with the Vac attachment. Use of abrasive blades causes unnatural wear on the Vac attachment.

- Do not use worn reinforced wheels from larger power tools. Wheels intended for a larger power tool are not suitable for the higher speed of a smaller tool and may burst.
- The cutting material on abrasive blades consists of a grit bonded agent using an organic binder. Reinforced blades are made up of a fabric or fibre base that prevents total breakage at maximum working speed if the blade should be cracked or damaged.
- A cutting blade's performance is determined by the type and size of abrasive corn, and the type and hardness of the bonding agent.
- Ensure the cutting blade is not cracked or damaged.



- Test the abrasive blade by hanging it on your finger and tapping it lightly with a screwdriver or the like. If the blade does not produce a resonant, ringing sound it is damaged.



- Ensure that correct abrasive blade is used on the intended material.

Blade type	Material
Concrete	Concrete, asphalt, stone masonry, cast iron, aluminium, copper, brass, cables, rubber, plastic, etc.
Metal	Steel, steel alloys and other hard metals.

Diamond blades



WARNING: Never use a diamond blade to cut plastic material. The heat produced during cutting may melt the plastic and it can stick to the cutting blade and cause a kickback.



WARNING: Diamond blades become very hot when used. An overheated blade is a result of improper use, and may cause deformation of the blade, resulting in damage and injuries.

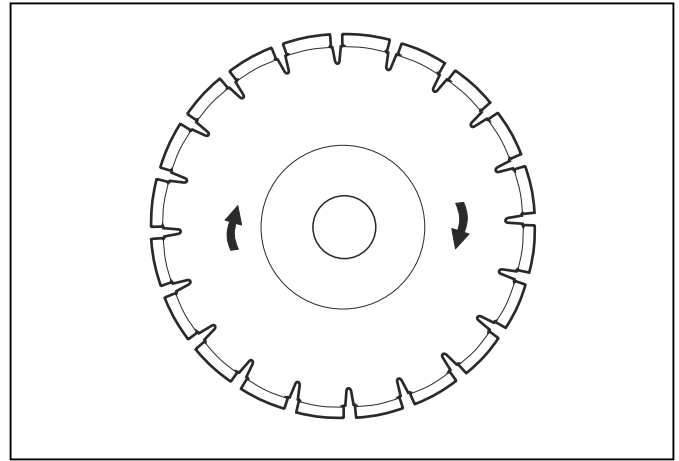


WARNING: Cutting metal generates sparks that may cause fire. Do not use the product near ignitable substances or gases.

Note: Diamond blades are available in several hardness classes.

Note: Sharpen the blade by cutting soft material such as sandstone or block.

- Always use a sharp diamond blade.
- Diamond blades can become dull when the wrong feeding pressure is used or when cutting certain materials such as heavily reinforced concrete. Working with a dull diamond blade causes overheating, which can result in the diamond segments coming loose.
- Diamond blades consist of a steel core provided with segments that contain industrial diamonds.
- Diamond blades are ideal for masonry, reinforced concrete and other composite materials.
- Diamond blades ensure lower costs per cutting operation, fewer blade changes and a constant cutting depth.
- Special blades should be used when cutting metal. Ask your dealer for help in choosing the right product.
- When using diamond blade make sure that it rotates in the direction indicated by the arrow on the blade.



Diamond blades for dry cutting

- Diamond blades for dry cutting can be used both with and without water cooling.
- When dry cutting, lift the blade out from the cut every 30–60 seconds and let it rotate in the air for 10 seconds to let it cool. If this is not done, the blade will become overheated.

Diamond blades for wet cutting

Note: Do not use Vac attachment when wet cutting. Wet concrete sludge considerably reduces the suction capacity of the Vac attachment.

- Diamond blades for wet cutting must be water cooled. If this is not done, the blade may be overheated.
- Water cools the blade and increases its service life while also reducing the formation of dust.
- Water cooling, which is used when cutting concrete, cools the blade and increases its service life while also reducing the formation of dust. Disadvantages include difficulties at very low temperatures, the risk of damaging floors and other structural elements, and the risk of slipping.

Diamond blade - side clearance

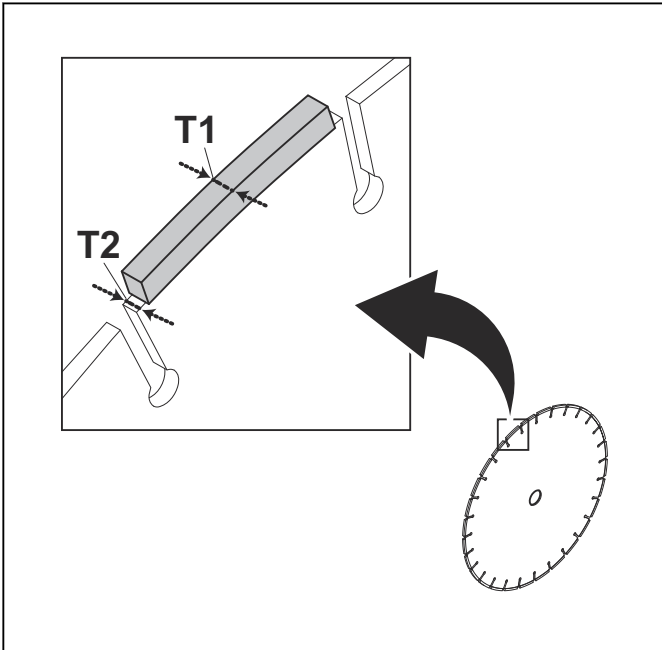


WARNING: Check that the diamond segment (T1) is wider than the blade core (T2) to prevent binding in the cutting slot and a kickback.

Replace the blade before it is completely worn out.



CAUTION: Certain cutting situations or poor blades may cause excessive wear on the side of the segments.



Some Husqvarna blades are available with side clearance wear indicators to help determine a blade's lifespan.

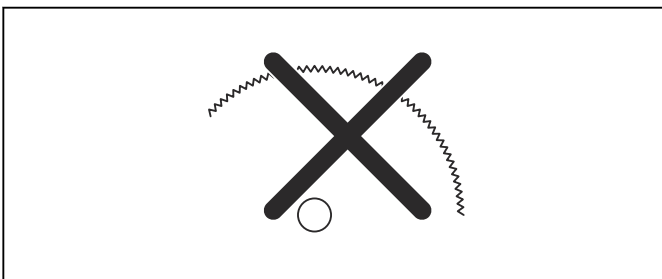
Toothed blades



WARNING: Never use toothed blades such as wood cutting blades, circular toothed blades, carbide tipped blades, etc. The risk of kickback is significantly increased and tips can be torn off and thrown at high speed. Carelessness can result in serious personal injury or even death.



WARNING: Government regulation requires a different type of guarding for carbide tipped blades not available on power cutters – a 360 degree guard. Power Cutters (this saw) use abrasive or diamond blades and have a different guarding system which does not provide protection against the dangers presented by wood cutting blades.



Use of this power cutter with a carbide tipped blade is a violation of work safety regulations.

Due to the hazardous nature and exigent circumstances involved with fire fighting and rescue operations conducted by the various highly trained public safety forces, safety professionals (fire departments), Husqvarna is aware that they may use this power cutter

with carbide tipped blades in certain emergency situations due to the ability of carbide tipped blades to cut many different types of obstructions and materials in combination without having to take time to switch blades or machines. When using this power cutter be aware at all times that carbide tipped blades are more kickback prone than abrasive or diamond blades if not used properly. Carbide tipped blades can also throw pieces of material away from the blade.

For these reasons, a power cutter equipped with a carbide tipped blade should never be used except by highly trained public safety professionals who are aware of the risks associated with its use and then only in those exigent circumstances when other tools are deemed inefficient and ineffective for fire or rescue operations. A power cutter equipped with a carbide tipped blade should never be used to cut wood in non-rescue operations.

To examine the spindle shaft and flange washers

Examine the flange washers and the spindle shaft when the blade is replaced.



CAUTION: Use only flange washers supplied by Husqvarna with minimum diameter 105mm/4.1in.

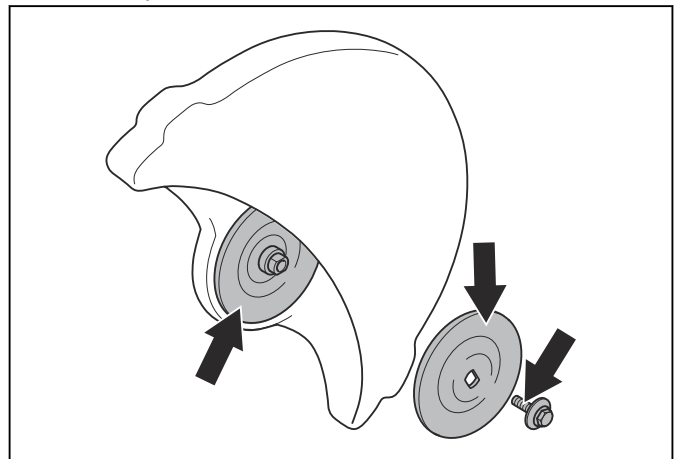


CAUTION: Do not use warped, notched, indented or dirty flange washers.



CAUTION: Do not use different dimensions of flange washers.

1. Make sure that the threads on the spindle shaft are undamaged.
2. Make sure that the contact surfaces on the blade and the flange washers are undamaged, of the correct dimension, clean, and that they run properly on the spindle shaft.



To examine the arbor bushing

Make sure the arbor bushings fit to the centre hole on the cutting blade.

The product is supplied with either a fixed bushing or a bushing that can be flipped over to fit either 20 mm or 1 in (25,4 mm) center holes.

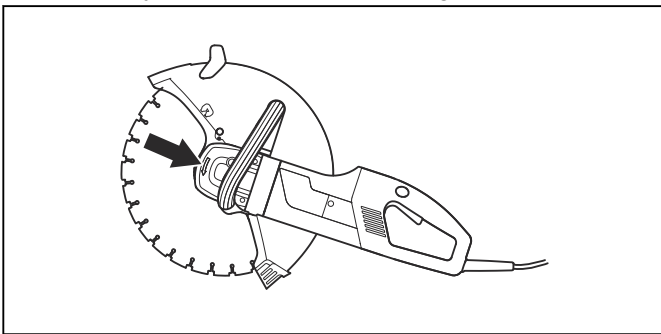
- Make sure the bushing on the spindle shaft of the product corresponds with the centre hole on the cutting blade.

The blades are marked with the diameter of the centre hole.

To examine the direction of the cutting blade rotation

If a diamond blade is used, make sure that it rotates in the direction indicated by the arrow on the blade.

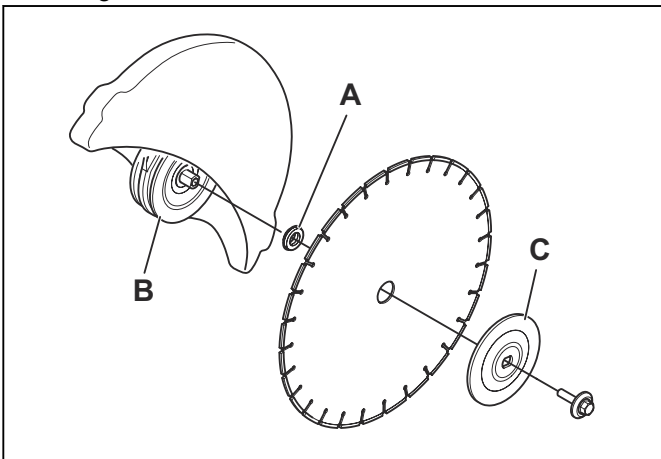
- Examine the direction of the cutting blade rotation shown by the arrows on the cutting arm.



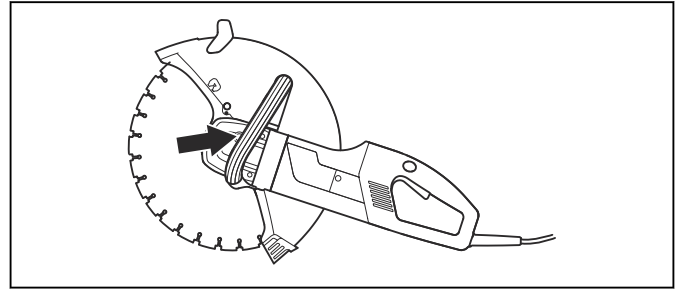
To fit the cutting blade

The tightening torque for the bolt holding the cutting blade is 25Nm (18,5ft-lbs).

The cutting blade is placed on the bushing (A) between the inner flange washer (B) and the flange washer (C). The flange washer is turned so that it fits on the axel.



1. Lock the cutting blade/axel with the locking button on the rear of the machine. The button is reset when released.



To adjust the blade guard



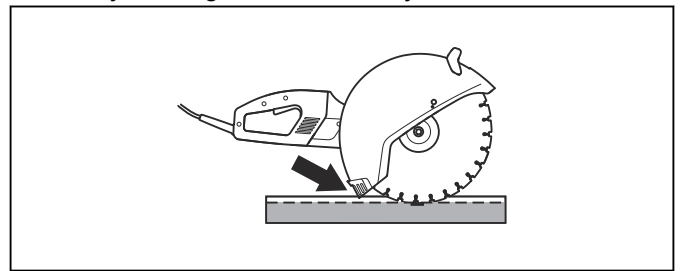
WARNING: Always make sure that the blade guard is correctly fitted before starting the product.

The guard for the cutting equipment should be adjusted so that the rear section is flush with the work piece.

Spatter and sparks from the cut material are then collected by the guard and moved away from the user.

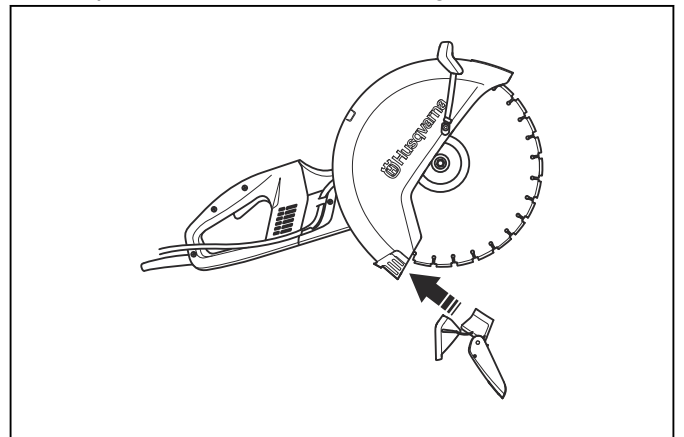
The blade guard is friction locked.

1. Press the ends of the guard against the work piece or adjust the guard with the adjustment handle.

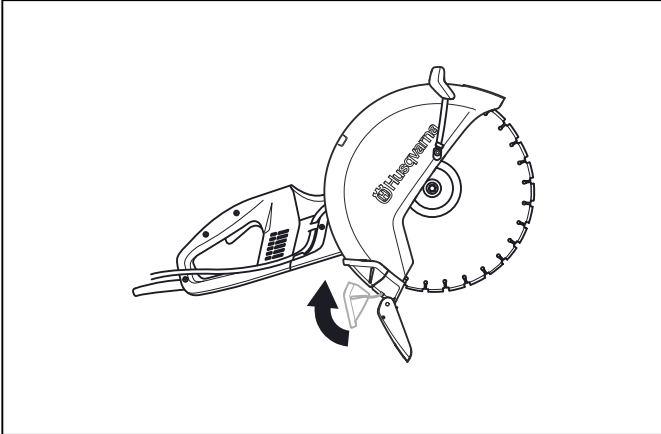


To adjust the splash guard

1. Slide the splash guard into the slots at the back of the protective cover on the cutting blade.



2. Make sure the locking catch rests upon the lug on the cover. Flip up the locking catch and push it against the protective cover.



OPERATION

Basic working techniques



WARNING: Do not pull the power cutter to one side. This can cause the blade to jam or break, resulting in injury.



WARNING: Do not grind with the side of the blade. Grinding causes breaks or damage. Only use the cutting section.



WARNING: Before entering an existing slot made by another blade, check that the slot is not thinner than your blade as that may result in binding in the cutting slot and a kickback.



WARNING: Never use a diamond blade to cut plastic material. The heat produced during cutting may melt the plastic and it can stick to the cutting blade and cause a kickback.



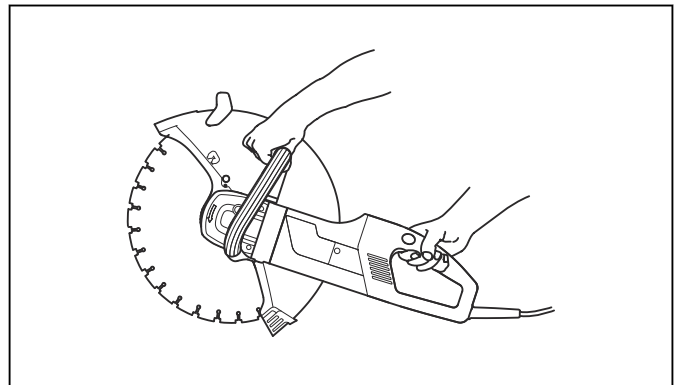
WARNING: Cutting metal generates sparks that may cause fire. Do not use the product near ignitable substances or gases.



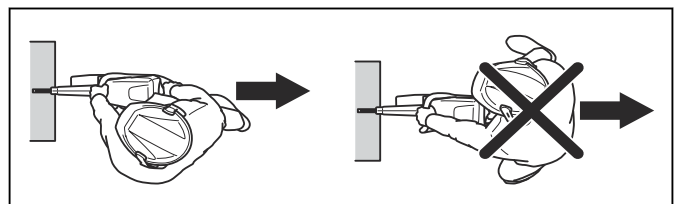
WARNING: Cutting metal is not allowed with the Vac attachment.

- The product is designed and intended for cutting with abrasive blades or diamond blades intended for high speed handheld products. The product shall not be used with any other type of blade, or for any other type of cutting.

- Check that the cutting blade is fitted correctly and does not show signs of damage. See *Cutting blades on page 9* for instructions.
- Check that the correct cutting blade is used for the application in question. See *Cutting blades on page 9* for instructions.
- Never cut asbestos materials!
- Hold the saw with both hands; keep a firm grip with thumbs and fingers encircling the handles. The right hand should be on the rear handle and the left hand on the front handle. All operators, whether right or left handed shall use this grip. Never operate a power cutter holding it with only one hand.

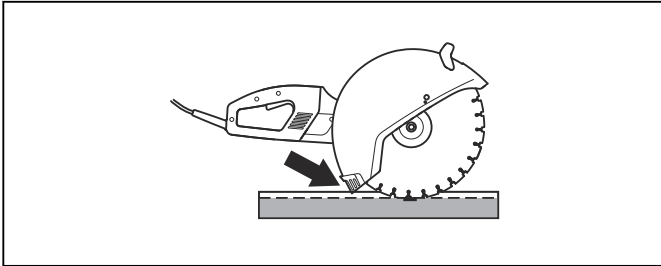


- Stand parallel to the cutting blade. Avoid standing straight behind. In the event of a kickback the saw will move in the plane of the cutting blade.

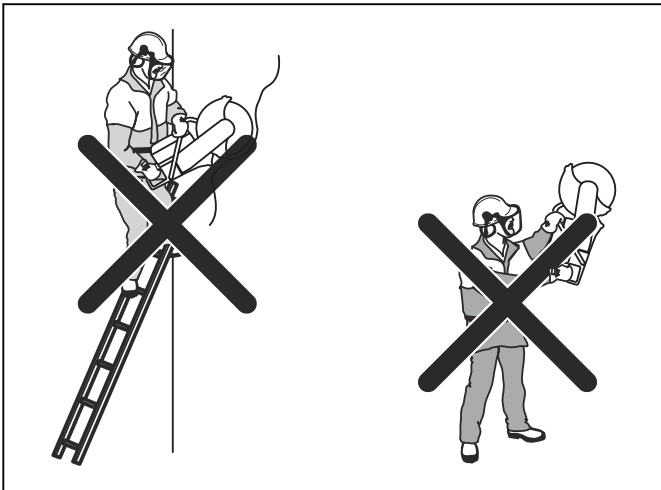


- If the blade is binding in the cut or when aborting a cut, release the throttle and wait until the blade stops. Do not extract the blade from the cut while the blade is in motion otherwise kickback may occur.

- Maintain a safe distance from the cutting blade when the engine is running. Do not try to stop a rotating blade with any part of your body.
- Never move the machine when the cutting equipment is rotating. Be sure that the blade has come to a complete stop before the machine is put on the ground.
- The guard for the cutting equipment should be adjusted so that the rear section is flush with the work piece. Spatter and sparks from the material being cut are then collected up by the guard and led away from the user. The guards for the cutting equipment must always be fitted when the product is running.

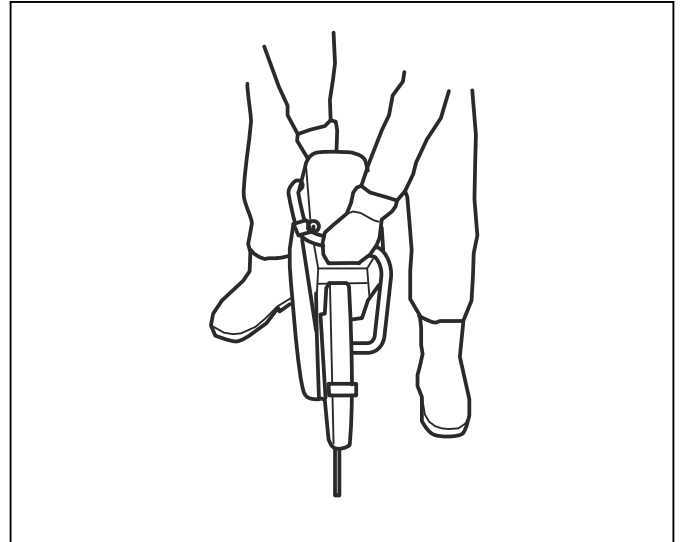


- Never use the kickback zone of the blade for cutting. See *Kickback on page 16* for instructions.
- Use extra caution when making a "pocket cut" into existing walls or other blind areas. The protruding wheel may cut gas or water pipes, electric wiring or objects that can cause kickback.
- Keep a good balance and a firm foothold.
- Never cut above shoulder height.
- Never cut from a ladder. Use a platform or scaffold if the cut is above shoulder height.

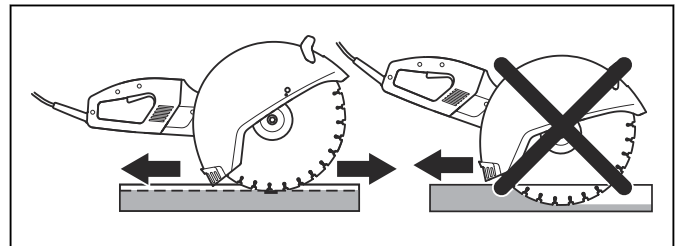


- Do not overreach.
- Stand at a comfortable distance from the work piece.
- Always ensure you have a safe and stable working position.
- Check that the blade is not in contact with anything when the product is started.
- Apply the cutting blade gently with high rotating speed (full throttle). Maintain full speed until cutting is complete.
- Let the product work without forcing or pressing the blade.

- Feed down the product in line with the blade. Pressure from the side can damage the blade and is very dangerous.



- Move the blade slowly forwards and backwards to achieve a small contact area between the blade and the material to be cut. This reduces the temperature of the blade and ensures effective cutting.

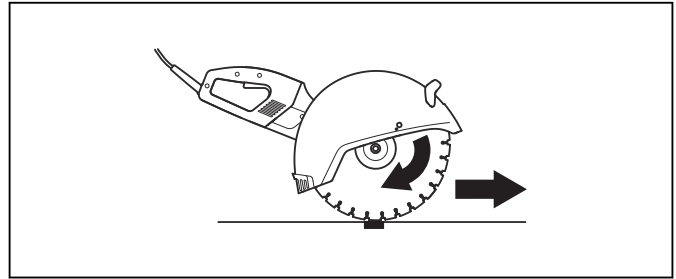


Power tool use and care

- **Do not force the power tool. Use the correct power tool for your application.** The correct power tool will do the job better and safer at the rate for which it was designed.
- **Do not use the power tool if the switch does not turn it on and off.** Any power tool that cannot be controlled with the switch is dangerous and must be repaired.
- **Disconnect the plug from the power source and/or the battery pack from the power tool before making any adjustments, changing accessories, or storing power tools.** Such preventive safety measures reduce the risk of starting the power tool accidentally.
- **Store idle power tools out of the reach of children and do not allow persons unfamiliar with the power tool or these instructions to operate the power tool.** Power tools are dangerous in the hands of untrained users.
- **Maintain power tools. Check for misalignment or binding of moving parts, breakage of parts and any other condition that may affect the power tool's operation. If damaged, have the power tool repaired before use.** Many accidents are caused by poorly maintained power tools.

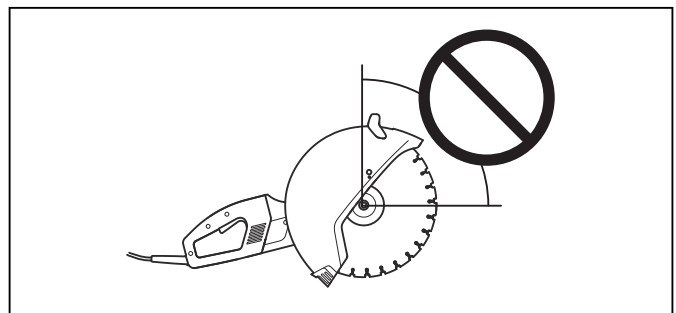
- **Keep cutting tools sharp and clean.** Properly maintained cutting tools with sharp cutting edges are less likely to bind and are easier to control.
- **Use the power tool, accessories and tool bits, etc. in accordance with these instructions, taking into account the working conditions and the work to be performed.** Use of the power tool for operations different from those intended could result in a hazardous situation.
- Under no circumstances should you modify the original design of the machine without approval from the manufacturer. Always use original spare parts. Unauthorized modifications and/or accessories may lead to serious injury or death to the user or others.
- Make sure that no pipes or electrical cables are routed in the working area or in the material to be cut.
- Always check and mark out where gas pipes are routed. Cutting close to gas pipes always entails danger. Make sure that sparks are not caused when cutting in view of the risk of explosion. Remain concentrated and focused on the task. Carelessness can result in serious personal injury or death.
- The guard for the cutting equipment must always be on when the machine is running.

- A reactive force is always present when cutting. The force pulls the product in the opposite direction of the blade rotation. Most of the time this force is insignificant. If the blade is pinched or stalled the reactive force will be strong and you might not be able to control the power cutter.



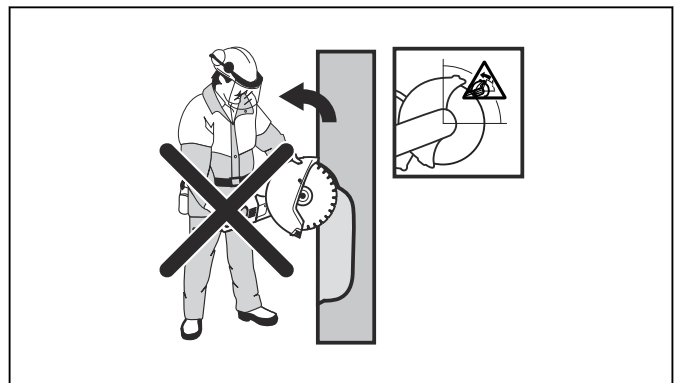
Kickback zone

- Never use the kickback zone of the blade for cutting. If the blade is pinched or stalled in the kickback zone, the reactive force will push the power cutter up and back towards the user in a rotating motion causing serious or even fatal injury.



Climbing kickback

- If the kickback zone is used for cutting, the reactive force drives the blade to climb up in the cut. Do not use the kickback zone. Use the lower quadrant of the blade to avoid climbing kickback.



Pinching kickback

- Pinching is when the cut closes and pinches the blade. If the blade is pinched or stalled the reactive

Service

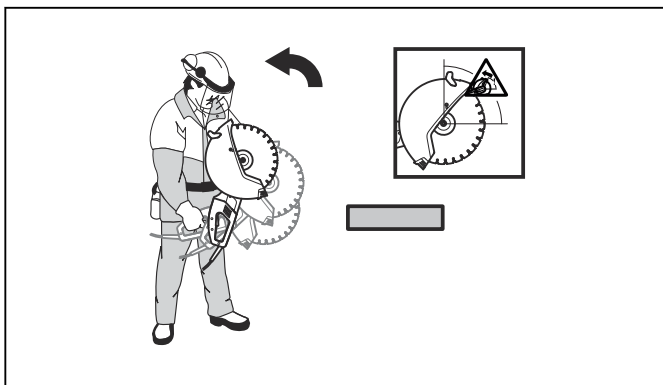
- Have your power tool serviced by a qualified repair person using only identical replacement parts. This will ensure that the safety of the power tool is maintained.

Kickback



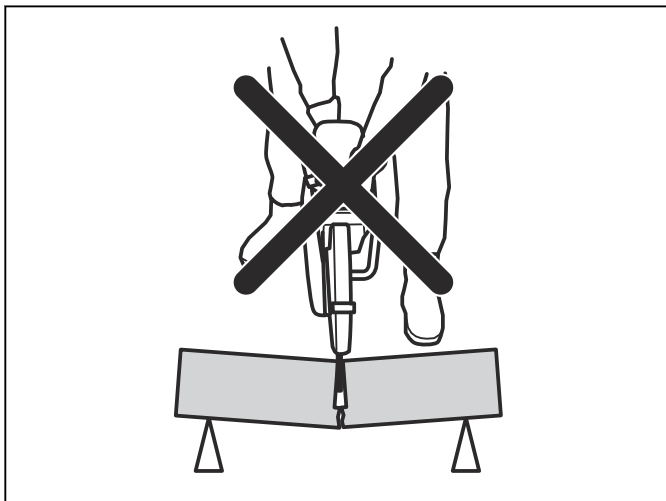
WARNING: Kickbacks are sudden and can be very violent. The power cutter can be thrown up and back towards the user in a rotating motion causing serious or even fatal injury. It is vital to understand what causes kickback and how to avoid it before using the product.

Kickback is the sudden upward motion that can occur if the blade is pinched or stalled in the kickback zone. Most kickbacks are small and pose little danger.



Reactive force

force will be strong and you might not be able to control the power cutter.



- If the blade is pinched or stalled in the kickback zone, the reactive force will push the power cutter up and back towards the user in a rotating motion causing serious or even fatal injury.

To cut in pipes



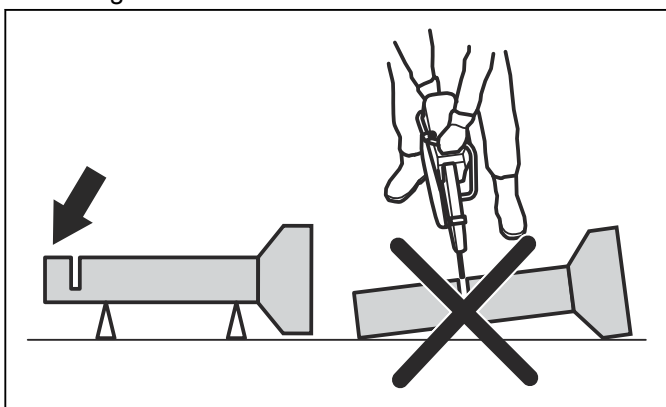
WARNING: If the blade is pinched in the kickback zone it will cause a severe kickback.



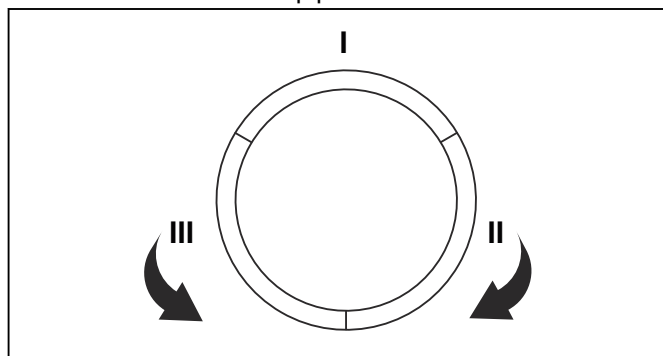
WARNING: Make sure the pipe is properly supported so that the end of the pipe moves downward when cutting.

Special care should be taken when cutting in pipes. If the pipe is not properly supported and the cut kept open throughout the cutting the blade might be pinched. Be especially alert when cutting a pipe with a belled end or a pipe in a trench that, if not properly supported, may sag and pinch the blade.

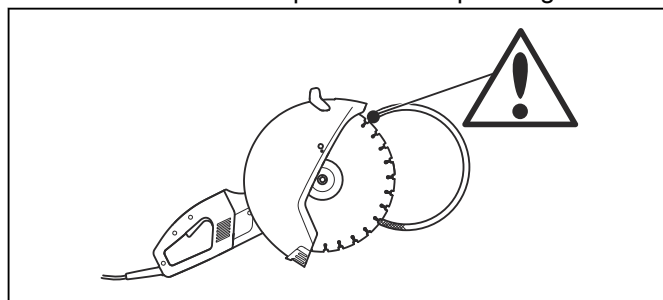
1. Secure the pipe so it does not move or roll during cutting.



2. Cut section "I" of the pipe.



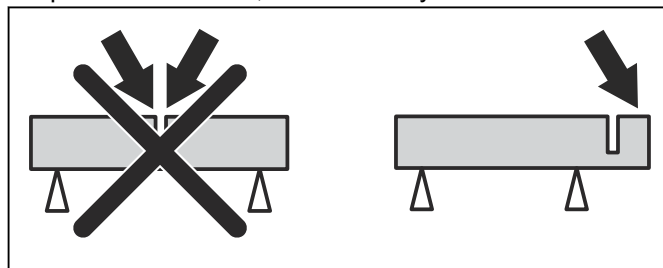
3. Ensure that the cut opens to avoid pinching.



4. Move to section "II" and cut from section I to bottom of the pipe.
5. Move to section "III" and cut the remaining part of the pipe ending at the bottom.

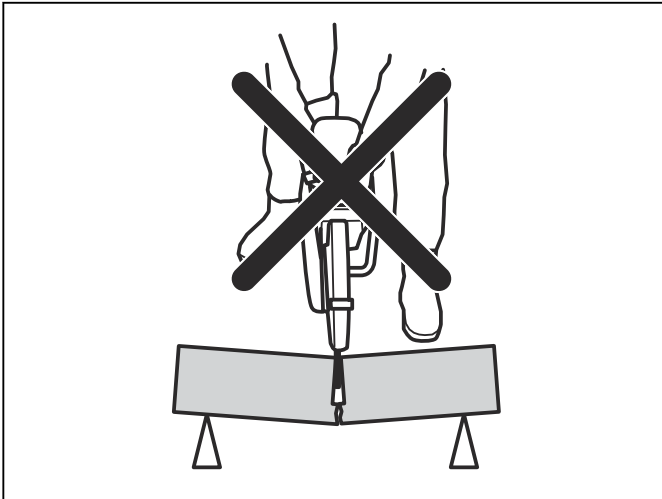
To avoid kickback

1. Always support the work piece so that the cut can keep open when cutting through. When the cut is open, there is no kickback. If the cut is closed and pinches the blade, there is always a risk of kickback.



2. Be careful when you put the blade in an existing cut.

3. Be careful of the movement of the work piece or anything else that can occur. The movement or anything else could cause the cut to close and pinch the blade.



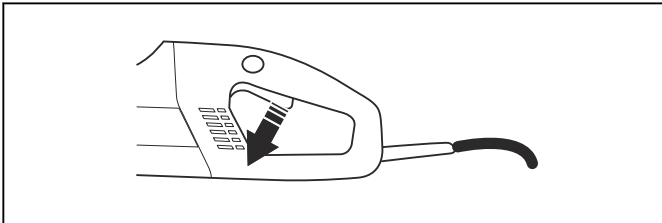
4. Do not allow the pipe to sag and close the cut. Otherwise the blade can be pinched in the kickback zone and a severe kickback can occur.
5. Properly support the end of the pipe to let it move downward, so that the cut can be open and pinching will not occur.

To examine the power switch



WARNING: A defective power switch should be replaced by an authorized service workshop.

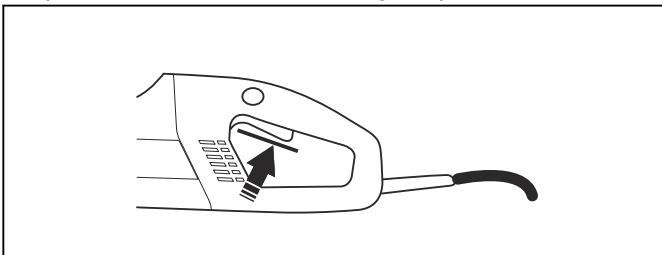
1. Start the product and release the power switch.



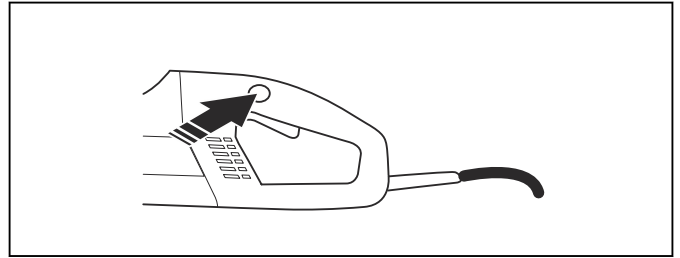
2. Make sure that the engine and the cutting blade stop.

To examine the power switch lock

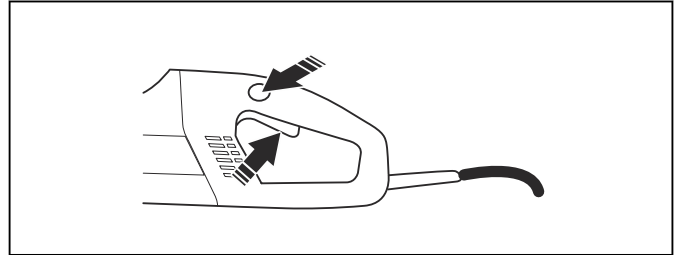
1. Make sure the power switch is locked when the power switch lock is in its original position.



2. Press in the power switch lock and make sure it returns to its original position when you release it.



3. Make sure the power switch and power switch lock move freely and that the return springs work properly.



4. Start the product, release the power switch and make sure that the engine and the cutting blade stop.

To examine the blade guard

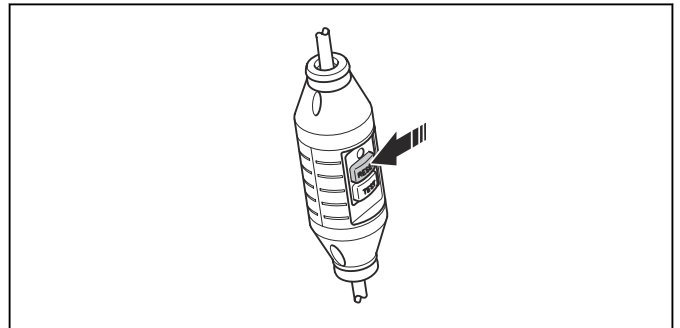


WARNING: Always make sure that the blade guard is correctly fitted before starting the product. Make sure that the cutting blade is fitted correctly and does not show signs of damage. A damaged cutting blade can cause personal injury. See instructions under the heading Assembly.

- Make sure that the guard is complete and without any cracks or deformations.

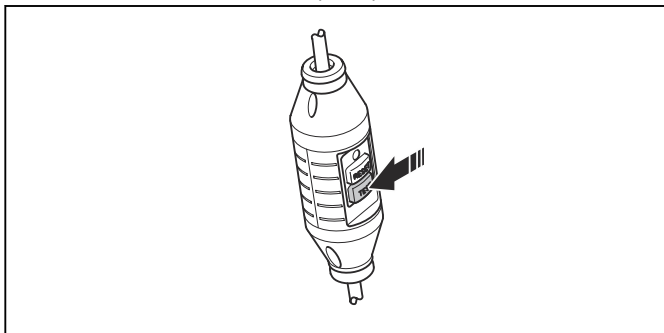
To check the residual-current device

1. Connect the machine to the socket.
2. Push the RESET button (green) and the red LED lights up.



3. Start the machine.

4. Push the TEST button (blue).



5. The ground fault circuit interrupter should trip and the machine switch off instantly. If not, contact your dealer.
6. Push the RESET button (green).

Before starting



WARNING: Please read the operator's manual carefully and make sure you understand the instructions before using the product.



WARNING: Wear personal protective equipment. See *Personal protective equipment on page 7*.



WARNING: Make sure no unapproved persons are in the working area, otherwise there is a risk of serious personal injury.

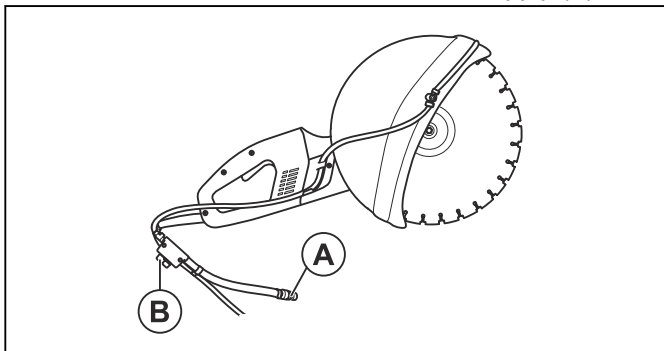


WARNING: Make sure the mains voltage agrees with the value on the rating plate on the product.

Perform daily maintenance. See section *MAINTENANCE on page 20*.

To connect water

1. Connect the water hose to the water supply (A).



2. Turn the water tap (B) to let the water go or stop.

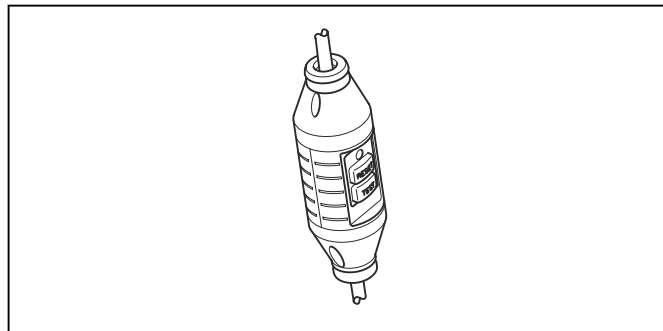
To switch on the ground fault circuit interrupter



WARNING: Never use the tool if the ground fault circuit interrupter is not delivered with

the tool. Carelessness can cause serious personal injury or even death.

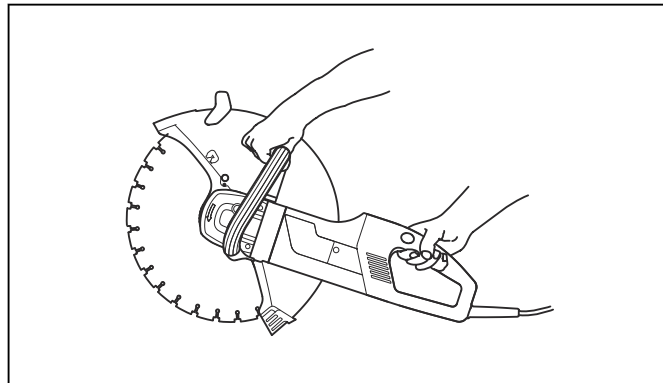
1. Make sure the ground fault circuit interrupter is closed.



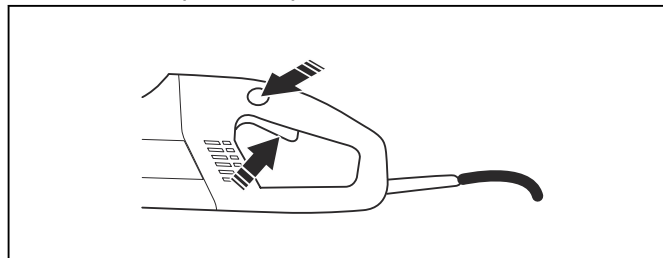
2. Start the product. If the LED is not illuminated, push the RESET button (green).
3. Examine the ground fault circuit interrupter.

To start the product

1. Hold the front handle with the left hand.
2. Hold the rear handle with the right hand.



3. Push the power switch lock in with your right-hand thumb and push the power switch.



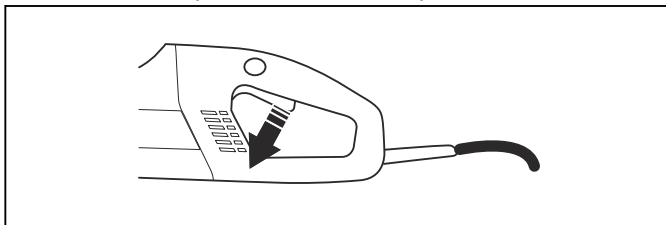
4. Operate the product without load in a safe manner for at least 30 seconds.

To stop the product



WARNING: The cutting blade continues to rotate up to a minute after the motor stops (known as blade coasting.) Make sure that the cutting blade can rotate freely until it completely stops. Carelessness can cause serious personal injury.

1. Release the power switch to stop the motor.



MAINTENANCE

Maintenance schedule

In the maintenance schedule you can see which parts of your product the maintenance is necessary. You can

also see with which intervals the maintenance should be done. The intervals are calculated based on daily use of the product, and may differ if the rate of usage changes.

	Daily	Weekly / 40 hours	Yearly
Cleaning	External cleaning		
	Cooling air intake		
Functional inspection	General inspection	Carbon brushes	
	Power switch*		
	Power switch lock*		
	Blade guard*		
	Cutting blade**		
	Water delivery system		
Change			Gearbox grease

*See instructions in the section *Safety devices on the product on page 8.*

** See instructions in the section *Cutting blades on page 9.*

Cleaning procedures

To do external cleaning



WARNING: Do not use a high pressure washer to flush the inner part of the product.

The product is resistant to damp air and splashes during the cutting process. When you cut materials such as concrete or brick which can contain salt, you must flush the product after the work. The cleaning reduces the risk of accretions inside the engine. The accretions inside the engine can cause leakage current between electric components. The leakage current can cause the ground fault circuit interrupter to trip accidentally.

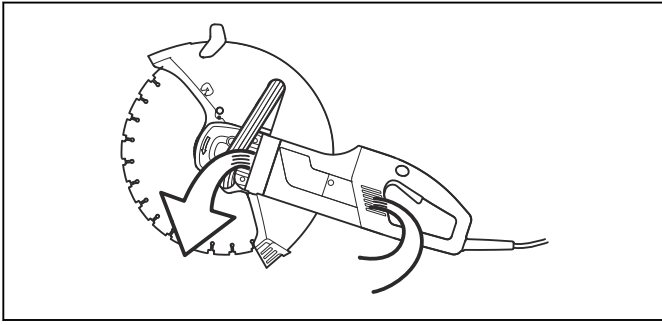
1. Flush the product daily with clean water after the work.
2. Position the product with the rear handle facing upwards.

3. Flush the air intakes at the rear handle with clean water. The water will run out through the front air outlets.
4. Connect the plug and operate the engine dry for approximately 30 seconds in order to increase the speed of drying the engine.

To clean the cooling air intake

The product has a fan to let the temperature of the motor decrease. Operate the rear handle of the product to absorb the cooling air through the grille. The air can pass over the stator and rotor and out through the front of the motor housing.

1. Always keep the cooling air openings clear and clean to cool the product sufficiently.



2. Blow the compressed air regularly into the product.

Functional inspections

To do a general function inspection

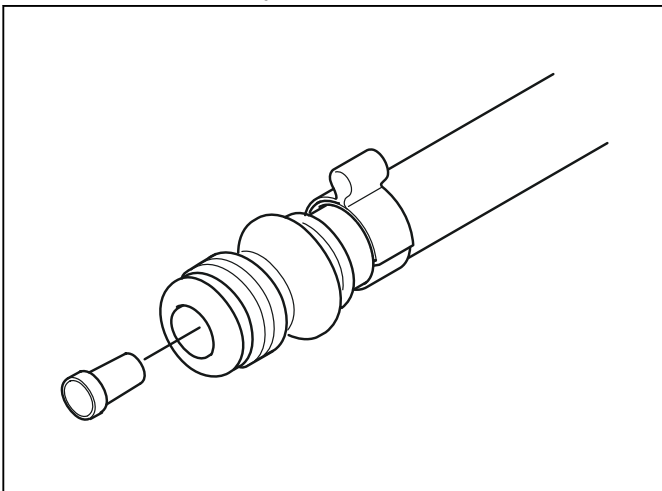


WARNING: Never use damaged cables. They can cause serious, even fatal, personal injuries.

1. Make sure the cord and extension cord are intact and in good condition. Never use the product if the cord is damaged, you must hand it to an approved service workshop for repair.
2. Make sure the nuts and screws are tight.

To inspect the water delivery system

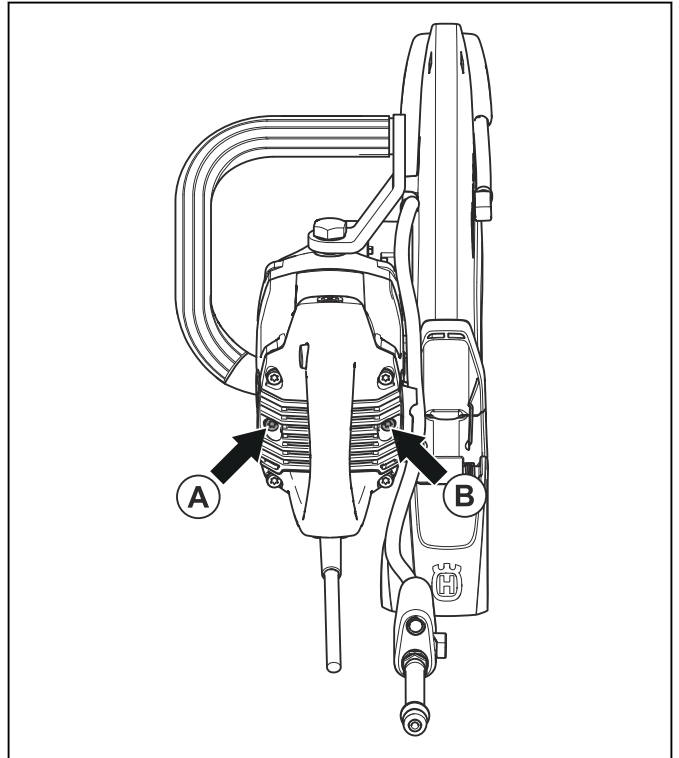
1. Check the nozzles on the blade guard are not clogged.
2. Clean as necessary.
3. Check that the filter on the water connector is not clogged.
4. Clean as necessary.



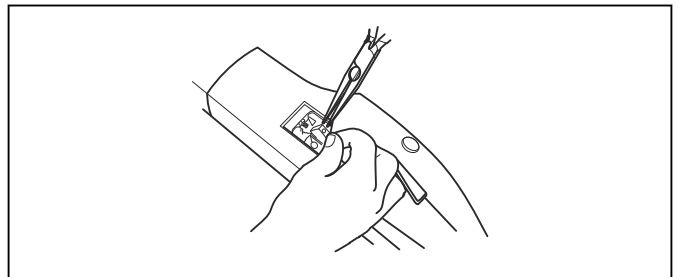
To replace the carbon brushes

Replace the carbon brushes if they are worn, cracked or in any other way damaged. Replace all carbon brushes at the same time.

1. Loosen both screws (A) and (B) to remove the inspection cover.



2. Remove the cable that holds the carbon brush.



3. Lift the spring and then remove the carbon brush from the brush retainer.
4. Clean the brush retainers with a dry brush.
5. Carefully blow away the dust.
6. Install the new carbon brushes and, at the same time, make sure they slide easily in the brush retainers.
7. Fold down the springs and tighten the cable.
8. Operate the new carbon brushes for approximately 40 minutes while idling.

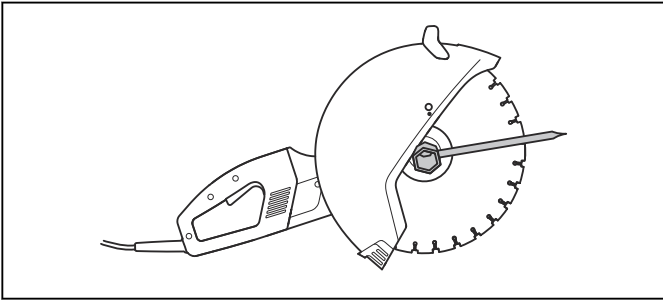
To fill gearbox grease

Do not fill the gear housing fully with grease. The grease expands while the temperature of the product increases during operation. If you fill the gear housing fully with grease, it could cause damage to the seals and leakage of grease.

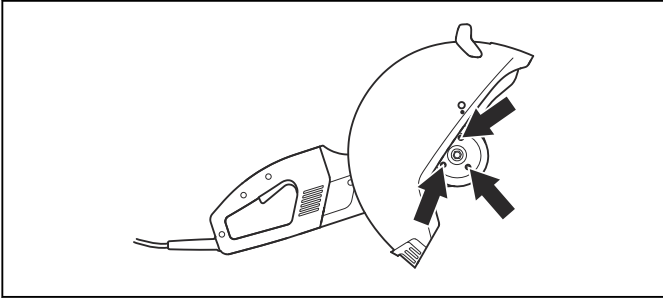
The gear housing should contain 90 g (0.2 lb) of grease in total. Use only grease that is recommended by Husqvarna.

You must disassemble the parts that follow to replace the grease in the gear housing:

1. Disassemble the flange washers that hold the cutting blade.

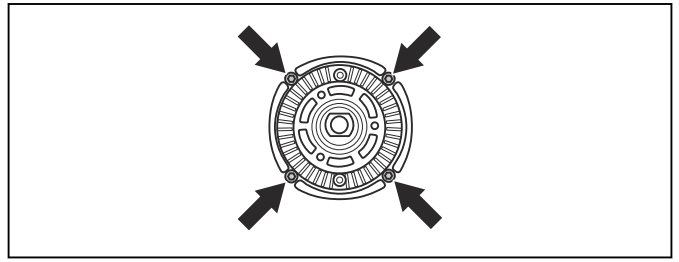


2. Disassemble the sealing ring.
3. Disassemble the support flange for the guard.

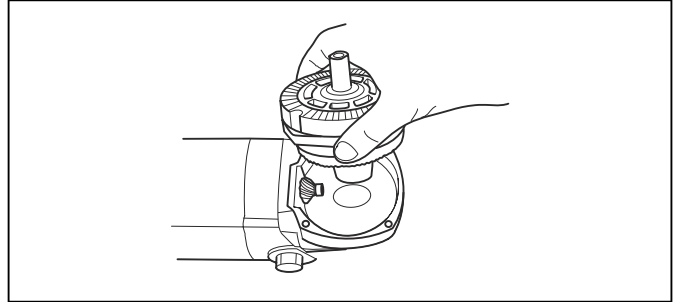


4. Disassemble the blade guard.

5. Remove the four screws that hold the shield.



6. Lift the shield together with the drive wheel unit out of the gear housing.



7. Wipe out the grease and fill the gear housing with new and good quality gear grease.

TRANSPORTATION, STORAGE AND DISPOSAL

Transportation

Transportation of product

- Secure the product during transportation in order to avoid transport damage and accidents.

Transportation of cutting blades

- Do not transport the power cutter with the cutting blade fitted. Remove all the cutting blades from the power cutter after use.
- Inspect new blades for transport damage.

Storage

Storage of the product

- Store the product in a lockable area so that it is out of reach of children and unauthorized persons.

Storage of cutting blades

- Do not store the power cutter with the cutting blade fitted. Remove all the cutting blades from the power cutter after use and stored them carefully.
- Store the cutting blades in dry, frost free conditions. Take special care of the abrasive blades. The abrasive blades must be stored on a flat, level surface. If an abrasive blade is stored in humid

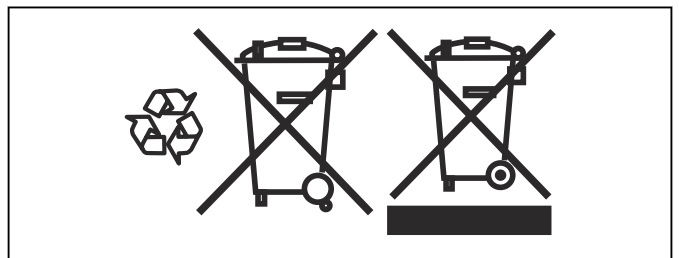
conditions, this can cause imbalance and result in injury.

- Inspect new blades for storage damage.

Disposal

Symbols on the product or the packaging of the product indicate that this product cannot be handled as domestic waste. It must be submitted to an appropriate recycling station for the recovery of electrical and electronic equipment.

By ensuring that this product is taken care of correctly, you can help to counteract the potential negative impact on the environment and people that can otherwise result through the incorrect waste management of this product. For more detailed information about recycling this product, contact your municipality, your domestic waste service or the shop from where you purchased the product.



TECHNICAL DATA

Technical data

K 4000		
Protection class		I
Max. speed of output shaft, rpm	120V, 60Hz	3400
	230V, 50Hz	3600
Rated voltage, V		
Europe		230
United Kingdom and Ireland		110
USA / Canada / Japan		100-120
Australia		230
Rated output, W		
Europe	230V, 50Hz	2700/12 A
United Kingdom and Ireland	110V, 50Hz	2200/20 A
USA / Canada / Japan	100-120V, 50-60Hz	15 A
Australia	230V, 50Hz	2300/10 A
Weight		
Machine without cable package, without blade and Vac attachment, kg (lbs)		7.6 (16.7)
Water cooling		
Water cooling of blade		Yes
Connecting nipple		Type "Gardena"
Recommended water pressure, bar (PSI)		0.5-8 (7.3-116)
Noise emissions (see Note 1)		
Sound power level, measured dB (A)		104
Sound power level, guaranteed L_{WA} dB (A)		105
Sound levels (see Note 2)		
Equivalent sound pressure level at the operator's ear, dB (A)		95
Equivalent vibration levels, a_{hveq} (see Note 3)		
Front handle, m/s^2		3.5
Rear handle, m/s^2		3.5

K 4000

Note 1: Noise emissions in the environment measured as sound power (LWA) in conformity with directive 2000/14/EC. The difference between guaranteed and measured sound power is that the guaranteed sound power also includes dispersion in the measurement result and the variations between different products of the same model according to directive 2000/14/EC.

Note 2: Equivalent sound pressure level, according to EN ISO 19432, is calculated as the time-weighted energy total for different sound pressure levels under various working conditions. Reported data for equivalent sound pressure level for the product has a typical statistical dispersion (standard deviation) of 1 dB (A).

Note 3: Equivalent vibration level, according to EN ISO 19432, is calculated as the time-weighted energy total for vibration levels under various working conditions. Reported data for equivalent vibration level has a typical statistical dispersion (standard deviation) of 1 m/s².

Recommended abrasive and diamond cutting blade

Cutting blade, mm (inch)	350 (14)
Max. peripheral speed, m/s (ft/s)	100 (19600)
Max. blade speed, rpm	3900
Max. cutting depth, mm (inch)	125 (4 59/64)
Max. cutting depth with the Vac attachment, mm (inch)	119 (4 11/16)



CAUTION: The below recommendations apply to minimum cable area relative to the maximum extension cable. Follow the recommendations to avoid impaired performance and damage to the product.

Cable area	1,5 mm ²	2,5 mm ²
Input voltage 100-120 V	20 m	40 m
Input voltage 220-240 V	30 m	50 m

EC DECLARATION OF CONFORMITY

EC Declaration of Conformity

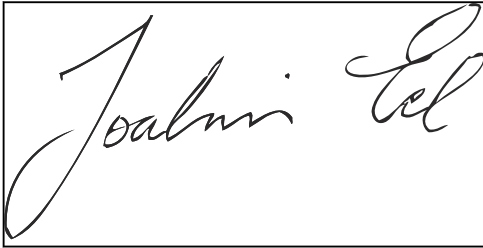
(Applies to Europe only)

Husqvarna AB, SE-561 82 Huskvarna, Sweden, tel: +46-36-146500, declares under sole responsibility that the power cutter **Husqvarna K 4000** dating from 2018 serial numbers and onward (the year is clearly stated on the type plate, followed by the serial number), complies with the requirements of the COUNCIL'S DIRECTIVE:

- of May 17, 2006 "relating to machinery" **2006/42/EC**.
- of February 26, 2014 "relating to electromagnetic compatibility" **2014/30/EU**.
- of June 8, 2011 on the "restriction of use of certain hazardous substances" **2011/65/EU**.

The following standards have been applied: **EN ISO 12100:2010, EN 55014-1:2006+A1:2009+A2:2011, EN 55014-2:1997+A1:2001+A2:2008, EN 61000-3-2:2014, EN 61000-3-3:2013, EN 60745-1:2009, EN 60745-2-22:2011+A11:2013.**

Partille, 1 January 2018

A rectangular box containing a handwritten signature in black ink. The signature is written in a cursive style and appears to read "Joakim Ed".

Joakim Ed

Global R&D Director

Construction Equipment Husqvarna AB

(Authorized representative for Husqvarna AB and responsible for technical documentation.)

Sommaire

INTRODUCTION.....	26	ENTRETIEN.....	45
SÉCURITÉ.....	28	TRANSPORT, REMISAGE ET MISE AU REBUT.....	47
MONTAGE.....	34	CARACTÉRISTIQUES TECHNIQUES.....	48
FONCTIONNEMENT.....	39	DÉCLARATION DE CONFORMITÉ CE.....	50

INTRODUCTION

Responsabilité du propriétaire

Il est de la responsabilité du propriétaire/de l'employeur de s'assurer que l'utilisateur possède les connaissances nécessaires pour manipuler le produit en toute sécurité. Les responsables et les utilisateurs doivent avoir lu et compris le Manuel d'utilisation. Ils doivent avoir conscience :

- Des instructions de sécurité du produit.
- Des diverses applications du produit et de ses limites.
- De la façon dont le produit doit être utilisé et entretenu.

La législation nationale peut réglementer l'utilisation de ce produit. Recherchez la législation applicable dans le lieu où vous travaillez avant d'utiliser le produit.

Description du produit

La K 4000 est une découpeuse portable à grande vitesse conçue pour découper des matériaux durs comme la maçonnerie ou l'acier. Elle ne doit pas être utilisée à des fins autres que celles décrites dans ce manuel. Il est nécessaire de lire attentivement le présent manuel pour garantir un fonctionnement en toute sécurité. Si vous avez besoin de plus d'informations, contactez votre revendeur ou Husqvarna.

Conception et fonctionnalités

Caractéristiques

La K 4000 a été conçue avec des technologies innovantes pour permettre de hautes performances et

garantir sa fiabilité. De plus, elle offre des solutions techniques avancées et répond à des impératifs écologiques.

Certaines des caractéristiques uniques de la K 4000 sont décrites ci-dessous.

Elgard™

Elgard™ est un système électronique de protection du moteur contre la surcharge. Cette protection évite de trop solliciter la machine et allonge sa durée de vie. Grâce à Elgard™, la machine indique lorsque sa charge se rapproche du maximum.

Softstart™

Softstart™ est un limiteur de courant électronique permettant un démarrage en douceur.

Accessoire d'aspiration (non fourni)

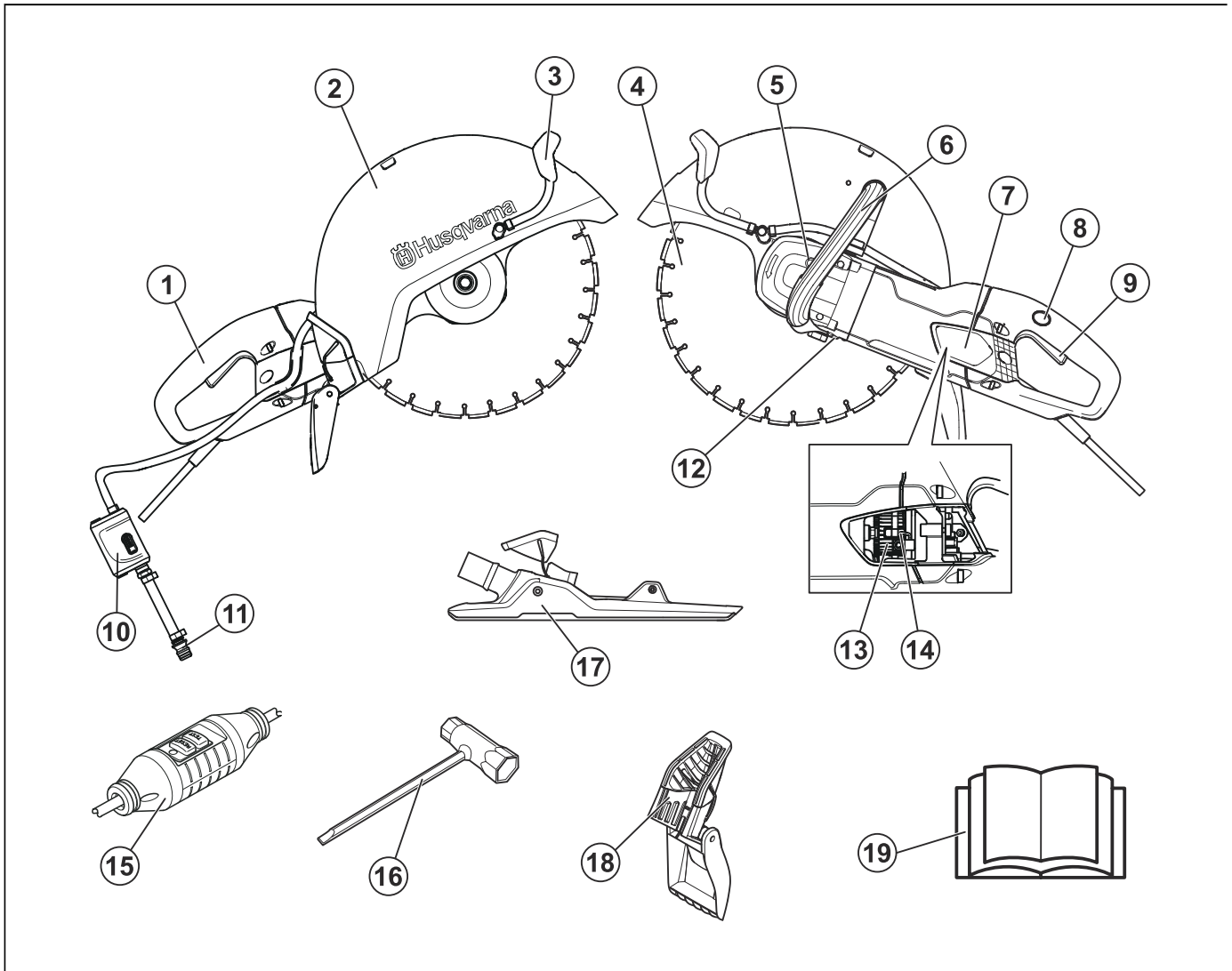
L'accessoire d'aspiration s'attache facilement à la machine et se branche à l'aspirateur/au dépoussiéreur pour une gestion efficace des poussières lors d'une découpe à sec.

Utilisation prévue

Ce produit est conçu pour la découpe de carreaux et de pierres. Elle n'est destinée à aucune autre utilisation.

Le produit est destiné à être utilisé dans des applications industrielles par des utilisateurs expérimentés.

Aperçu du produit



1. Poignée arrière
2. Protège-lame
3. Dispositif d'eau
4. Lame de coupe (non fournie)
5. Blocage de l'arbre
6. Poignée avant
7. Capot d'inspection
8. Blocage de l'interrupteur
9. l'interrupteur
10. Robinet d'eau avec limiteur de débit
11. Raccord de l'eau
12. Plaque d'identification
13. Support de balais
14. Balais de charbon
15. Disjoncteur différentiel de fuite à la terre (à l'exception du Royaume-Uni et de l'Irlande)
16. Clé universelle
17. Accessoire d'aspiration (accessoire, non fourni)
18. Protection anti-éclaboussures
19. Manuel d'utilisation

Symboles concernant le produit



AVERTISSEMENT ! Utilisée de manière imprudente ou inadéquate, le produit peut devenir un outil dangereux, pouvant causer des blessures graves, voire mortelles à l'utilisateur ou à d'autres personnes présentes.



Lisez attentivement et assimilez le manuel d'utilisation avant d'utiliser le produit.



Portez un équipement de protection personnelle. Consultez la section *Équipement de protection individuelle* à la page 32 pour plus d'instructions.



Ce produit est conforme aux directives CE en vigueur.



AVERTISSEMENT ! Lors de la découpe, la poussière générée peut occasionner des blessures si elle est aspirée. Utiliser une protection respiratoire approuvée. Évitez d'inhaler les gaz d'échappement. Veiller à disposer d'une bonne ventilation.



AVERTISSEMENT ! Les étincelles de la lame de coupe peuvent provoquer un incendie en cas de contact avec des matières inflammables telles que l'essence, le bois, les vêtements, l'herbe sèche, etc.



AVERTISSEMENT ! Les rebonds peuvent être soudains, rapides et violents et peuvent générer des blessures pouvant être mortelles. Lisez et assimilez les instructions du manuel avant d'utiliser le produit.



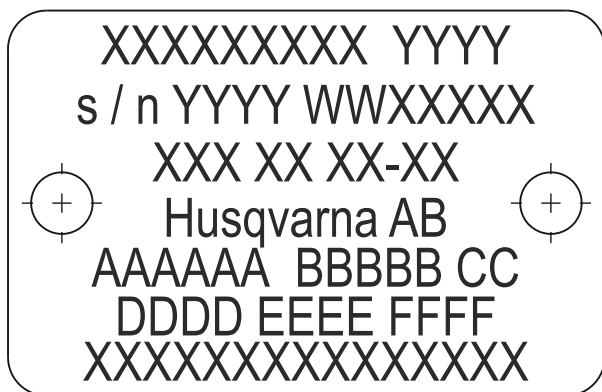
AVERTISSEMENT ! Vérifier que les lames ne comportent ni fissures ni autre dommage.



AVERTISSEMENT ! N'utilisez pas de lames d'éclaircissage.

Remarque: Les autres symboles/autocollants présents sur le produit concernent des exigences de certification spécifiques à certains marchés.

Plaque d'identification



Rangée 1 : Marque, modèle (X, Y)

Rangée 2 : N° de série avec date de fabrication (Y, W, X) : Année, semaine, n° de séquence

Rangée 3 : N° de produit (X)

Rangée 4 : Fabricant

Rangée 5 : R : Vitesse max. de l'arbre de sortie, B : Diamètre de la lame de coupe, C : Diamètre du boulon de lame

Rangée 6 : D : Tension d'entrée, E : Courant d'entrée, F : Fréquence d'entrée

Rangée 7 : Pays d'origine

Responsabilité

Conformément à la loi sur la responsabilité du fait des produits, nous déclinons toute responsabilité pour tout dommage causé par notre produit si :

- le produit n'est pas correctement réparé ;
- le produit est réparé avec des pièces qui ne proviennent pas du fabricant ou qui ne sont pas homologuées par le fabricant ;
- le produit est équipé d'un accessoire qui ne provient pas du fabricant ou qui n'est pas homologué par le fabricant.
- le produit n'est pas réparé par un centre d'entretien agréé ou par une autorité homologuée.

SÉCURITÉ

Définitions de sécurité

Des avertissements, des recommandations et des remarques sont utilisés pour souligner des parties spécialement importantes du manuel d'utilisation.



AVERTISSEMENT: Symbole utilisé en cas de risque de blessures ou de mort pour l'opérateur ou les personnes à proximité si les instructions du manuel ne sont pas respectées.



REMARQUE: Symbole utilisé en cas de risque de dommages pour le produit et/ou l'accessoire, d'autres matériaux ou les environs si les instructions du manuel ne sont pas respectées.

Remarque: Symbole utilisé pour donner des informations supplémentaires pour une situation donnée.

Instructions générales de sécurité

Il est impossible de prévoir toutes les situations auxquelles vous pourriez être exposé. Soyez toujours prudent et utilisez votre bon sens. En cas de doute ou de difficulté quant à l'utilisation de la machine, consultez un spécialiste. Veuillez contacter votre revendeur, votre atelier de réparation ou un utilisateur expérimenté. L'utilisateur doit éviter d'utiliser la machine s'il ne se sent pas suffisamment qualifié pour le travail à effectuer !

Remarque: Conservez toutes ces consignes et instructions pour toute consultation ultérieure.



AVERTISSEMENT: Lire toutes les consignes et instructions de sécurité.



AVERTISSEMENT: N'utilisez jamais un produit dont les équipements de sécurité sont défectueux. Si les contrôles ne donnent pas de résultat positif, confiez le produit à un atelier spécialisé.



AVERTISSEMENT: Lisez attentivement et assimilez le manuel d'utilisation avant d'utiliser le produit. Il est recommandé aux nouveaux opérateurs d'également obtenir des instructions pratiques avant d'utiliser le produit.



AVERTISSEMENT: N'oubliez pas que c'est vous, l'opérateur, qui êtes responsable de protéger les tiers et leurs biens de tout accident ou danger.



AVERTISSEMENT: Le produit doit rester propre. Les signes et autocollants doivent être parfaitement lisibles.



AVERTISSEMENT: Utilisée de manière imprudente ou inadéquate, le produit peut devenir un outil dangereux, pouvant causer des blessures graves, voire mortelles à l'utilisateur ou à d'autres personnes présentes.



AVERTISSEMENT: Ne laissez jamais d'enfants ou d'autres personnes ne possédant pas la formation requise utiliser ou entretenir le produit.



AVERTISSEMENT: Le produit n'est pas destiné à être utilisé par des personnes (ou des enfants) aux capacités physiques, sensorielles ou mentales limitées ou manquant d'expérience et de connaissances.



AVERTISSEMENT: Ne laissez jamais d'autres personnes utiliser le produit sans vous être assuré au préalable que ces personnes ont bien lu et compris le contenu du mode d'emploi.



AVERTISSEMENT: N'utilisez jamais le produit si vous êtes fatigué, avez bu de l'alcool ou pris des médicaments susceptibles d'affecter votre vue, votre jugement ou la maîtrise de votre corps.



AVERTISSEMENT: Toute modification et/ou accessoire non autorisé peut entraîner des blessures graves, voire mortelles à l'utilisateur ou à d'autres personnes présentes. Ne modifiez jamais le produit sans l'autorisation du fabricant.



AVERTISSEMENT: Ne modifiez jamais cette machine de façon à ce qu'elle ne soit plus conforme au modèle d'origine et n'utilisez jamais une machine qui semble avoir été modifiée.



AVERTISSEMENT: N'utilisez jamais un produit qui n'est pas en parfait état de marche. Appliquez les instructions de maintenance et d'entretien ainsi que les contrôles de sécurité indiqués dans ce manuel d'utilisation. Certaines opérations de maintenance et d'entretien doivent être réalisées par un spécialiste dûment formé et qualifié. Consultez la section *ENTRETIEN* à la page 45 pour plus d'instructions.



AVERTISSEMENT: N'utiliser que des accessoires et des pièces d'origine.



AVERTISSEMENT: Ce produit génère un champ électromagnétique durant son fonctionnement. Ce champ peut dans certaines circonstances perturber le fonctionnement d'implants médicaux actifs

ou passifs. Pour réduire le risque de blessures graves ou mortelles, les personnes portant des implants médicaux doivent consulter leur médecin et le fabricant de leur implant avant d'utiliser cet appareil.

faisant fonctionner à plein régime pendant 1 minute environ.

Consignes de sécurité pour l'assemblage



AVERTISSEMENT: Lisez attentivement les instructions suivantes avant d'utiliser le produit.



AVERTISSEMENT: N'utilisez jamais une lame de coupe avec un matériau différent de celui pour lequel elle est conçue.



AVERTISSEMENT: N'utilisez jamais une lame diamant pour couper de la matière plastique. La chaleur produite lors de la découpe risque de faire fondre le plastique, qui risque alors de coller au disque découpeur et de provoquer un rebond.



AVERTISSEMENT: Lors de leur utilisation, les lames diamantées deviennent très chaudes. Une lame surchauffée est le résultat d'une mauvaise utilisation et peut entraîner une déformation de la lame qui causerait des dommages et des blessures.



AVERTISSEMENT: Un disque de coupe peut se briser et blesser gravement l'utilisateur.



AVERTISSEMENT: Le fabricant du disque découpeur émet des avertissements et des recommandations pour l'utilisation et l'entretien adéquats du disque. Ces avertissements sont fournis avec le disque découpeur. Lisez et respectez toutes les instructions fournies par le fabricant du disque découpeur.



AVERTISSEMENT: Le disque découpeur doit être vérifié avant d'être assemblé sur la scie, puis faire l'objet d'un contrôle fréquent en cours d'utilisation. Vérifiez l'absence de fissures, de segments perdus (lames diamant) ou de pièces cassées. N'utilisez pas de disque découpeur endommagé.



AVERTISSEMENT: Vérifiez l'intégrité de chaque nouveau disque découpeur en le



AVERTISSEMENT: Ne jamais utiliser un disque de découpe dont le marquage indique un régime inférieur à celui indiqué sur la plaque signalétique de la machine. Utilisez uniquement des lames de coupe conçues pour des découpeuses portables à grande vitesse.



AVERTISSEMENT: N'utilisez pas d'eau avec des lames abrasives. Quand des lames abrasives sont exposées à l'eau ou à l'humidité, leur puissance s'en voit altérée, ce qui accroît le risque de rupture de la lame.



AVERTISSEMENT: N'utilisez que des lames conformes aux normes/réglementations nationales ou régionales, par exemple EN 13236, EN 12413 ou ANSI B7.1.



AVERTISSEMENT: La découpe de métal génère des étincelles pouvant provoquer un incendie. N'utilisez pas la machine près de gaz ou de substances inflammables.



AVERTISSEMENT: Il est interdit de couper du métal avec l'accessoire d'aspiration.



AVERTISSEMENT: N'utilisez jamais de lames dentées telles que des lames de coupe de bois, des lames dentées circulaires, des lames à plaquettes, etc. À grande vitesse, le risque de rebond est nettement plus important et les extrémités de lame peuvent être arrachées et projetées. Toute négligence peut causer de graves blessures ou peut être fatale.



AVERTISSEMENT: La réglementation gouvernementale impose un type différent de dispositif de protection pour les lames à plaquettes, non disponible sur les découpeuses : une protection 360 degrés. Les découpeuses (cette chaîne) sont dotées de disques abrasifs ou de lames diamant et sont équipées d'un système de protection différent qui ne protège pas contre les dangers présentés par les disques découpeurs de bois.

Remarque: Il est interdit de couper avec des disques abrasifs avec l'accessoire d'aspiration. L'utilisation de

disques abrasifs entraîne une usure anormale de l'accessoire d'aspiration.

Consignes de sécurité pour le fonctionnement

Sécurité dans l'espace de travail



AVERTISSEMENT: La distance de sécurité de la découpeuse est de 15 mètres (50 pieds). Il incombe à l'utilisateur de s'assurer qu'aucun animal et qu'aucun spectateur ne se trouve à l'intérieur de la zone de travail. Ne pas commencer la découpe sans avoir le champ libre et les pieds bien d'aplomb.

- Maintenez un espace de travail propre et bien éclairé.
- N'utilisez pas de machines à usiner dans des atmosphères explosives, en présence de liquides, de gaz ou de poussières inflammables par exemple.
- Tenez les enfants et les spectateurs à distance lorsque la machine à usiner est en marche.
- Observez la zone environnante et assurez-vous qu'aucun facteur ne risque d'affecter votre contrôle du produit.
- Assurez-vous qu'aucune personne ou qu'aucun objet ne peut se trouver en contact avec l'équipement de coupe ou être touché par des pièces projetées par la lame.
- N'utilisez pas le produit par mauvais temps, tel qu'en cas de brouillard épais, de pluie diluvienne, de vent violent, de froid intense, etc. Travailler par mauvais temps est fatigant et peut créer des conditions de travail dangereuses comme des surfaces glissantes.
- Ne commencez jamais à travailler avec le produit sans avoir le champ libre et les pieds bien d'aplomb. Identifier les obstacles éventuels dans le cas de déplacement inattendu.
- Assurez-vous qu'aucun matériau ne risque de se desserrer et de tomber, ni de blesser l'opérateur. Observez la plus grande prudence lors de travail sur des terrains en pente.
- S'assurer que l'éclairage de la zone de travail est suffisant pour que l'environnement de travail soit de toute sécurité.
- Assurez-vous qu'aucun tuyau ou câble électrique ne passe par la zone de travail ou dans le matériau à découper.
- En cas de découpe dans un conteneur (bidon, tube ou autre conteneur), vous devez au préalable vous assurer qu'il ne contient pas de matières inflammables ou volatiles.

Sécurité électrique



AVERTISSEMENT: Le produit (Royaume-Uni et Irlande 110 V) n'est pas équipé d'un disjoncteur de fuite à la terre. La machine doit toujours être utilisée avec un transformateur d'isolement comme protection en cas de problème électrique.



AVERTISSEMENT: Ne lavez pas la machine avec de l'eau. Elle peut en effet s'infiltrer dans le système électrique ou le moteur et ainsi endommager la machine ou provoquer un court-circuit.

- **Les fiches des machines à usiner doivent être adaptées à la prise. N'apportez jamais de modifications à la fiche. Ne pas utiliser de fiches d'adaptation avec des machines mises à la terre.** Les fiches non modifiées et les prises adaptées permettent de réduire le risque d'électrocution.
- **Éviter tout contact physique avec les surfaces mises à la terre telles que les tuyaux, les radiateurs, les cuisinières et les réfrigérateurs.** Le risque d'électrocution est plus important si le corps est relié à la terre.
- **N'exposez pas l'outil électrique à la pluie ou à l'humidité.** L'infiltration d'eau dans une machine à usiner augmente le risque d'électrocution.
- **Ne pas malmener le cordon. N'utilisez jamais le cordon pour porter, tirer ou débrancher la machine. Maintenez le cordon d'alimentation à l'écart de la chaleur, de bords tranchants ou de pièces en mouvement.** Les cordons endommagés ou emmêlés augmentent le risque d'électrocution.
- **Lorsqu'une machine à usiner est utilisée à l'extérieur, installer une rallonge adaptée à un usage extérieur.** L'utilisation d'un cordon d'alimentation pour usage extérieur réduit le risque d'électrocution.
- **Si vous êtes obligé d'utiliser un outil électrique dans un endroit humide, utilisez un outil protégé par un dispositif différentiel à courant résiduel (DDR). L'utilisation d'un RCD réduit le risque de choc électrique.**
- Contrôler que le câble et la rallonge sont entiers et en bon état. Ne pas utiliser la machine si le câble est endommagé, la confier à un atelier d'entretien agréé pour réparation.
- Afin d'éviter la surchauffe, n'utilisez pas de rallonge enroulée.
- Lorsque vous devez utiliser une rallonge, n'utilisez que des câbles agréés d'une portée suffisante. Pour plus d'informations, consultez la section *Caractéristiques techniques à la page 48*. Un câble n'ayant pas la taille requise risque de réduire la capacité de la machine et de provoquer une surchauffe.

- La machine doit être branchée à une prise de terre. Contrôler que la tension secteur est conforme aux indications sur la plaque de la machine.
- Veiller à avoir le câble derrière soi lors de l'utilisation de la machine pour ne pas risquer de l'abîmer.

Sécurité du personnel

- **Restez attentif, regardez ce que vous faites et ayez recours à votre bon sens lorsque vous utilisez un outil électrique. N'utilisez pas d'outil électrique si vous êtes fatigué ou si vous êtes sous l'emprise de drogues, d'alcool ou de médicaments.** Un moment d'inattention pendant l'utilisation des machines à usiner peut entraîner des blessures corporelles graves.
- **Utilisez un équipement de protection personnelle. Travaillez toujours avec des lunettes de protection.** Les équipements de protection tels que les masques anti-poussière, les chaussures de sécurité antidérapantes, le casque ou les protège-oreilles utilisés dans les conditions qui conviennent réduisent les blessures corporelles.
- Évitez tout démarrage accidentel. Vérifiez que l'interrupteur est en position d'arrêt avant de brancher le produit.
- **Évitez tout démarrage intempestif. Vérifiez que l'interrupteur est en position d'arrêt avant de brancher l'outil sur l'alimentation et/ou la batterie, de le ramasser ou de le transporter.** Le fait de garder le doigt sur l'interrupteur pendant le transport des outils ou le branchement des machines alors que l'interrupteur est en position d'allumage peut entraîner des accidents.
- **Retirez toute clé ou clavette de calage avant de mettre la machine à usiner sous tension.** Une clé ou une clavette reliée à une pièce mobile de la machine à usiner peut entraîner des blessures corporelles.
- **Ne vous éloignez pas trop. Restez toujours en équilibre et sur vos appuis.** Cela favorise le contrôle de la machine à usiner dans les situations inattendues.
- **Habillez-vous correctement. Ne portez jamais de vêtements amples ou de bijoux. Éloignez vos cheveux, vêtements et gants des pièces mobiles.** Les vêtements amples, les bijoux et les cheveux longs peuvent rester coincés dans les pièces mobiles.
- **Si des dispositifs sont fournis pour raccorder des systèmes de collecte et d'extraction de la poussière, vérifiez qu'ils sont correctement branchés et utilisés.** Le système de collecte de poussière peut réduire les risques associés à la poussière.
- Se tenir loin des lames quand le moteur tourne.
- une exposition excessive aux vibrations peut entraîner des troubles circulatoires ou nerveux chez les personnes sujettes à des troubles cardiovasculaires. Consultez un médecin en cas de symptômes liés à une exposition excessive aux vibrations. De tels symptômes peuvent être: engourdissement, perte de sensibilité,

chatouillements, picotements, douleur, faiblesse musculaire, décoloration ou modification épidermique. Ces symptômes affectent généralement les doigts, les mains ou les poignets. Ces symptômes peuvent être accentués par le froid.

Équipement de protection individuelle



AVERTISSEMENT: Les produits tels que les fraises, les meuleuses ou les foreuses pour poncer ou découper un matériau peuvent produire de la poussière et des vapeurs susceptibles de contenir des substances chimiques dangereuses. Vérifiez la nature du matériau que vous souhaitez travailler et utilisez un masque respiratoire approprié.



AVERTISSEMENT: Utilisez toujours des protecteurs d'oreilles agréés. Une exposition prolongée au bruit risque de causer des lésions auditives permanentes. Soyez attentif aux signaux ou cris d'avertissement lorsque vous portez des protège-oreilles. Enlevez-les toujours dès que le moteur s'arrête.



AVERTISSEMENT: Il existe toujours un risque de blessures par écrasement lorsque vous travaillez avec des produits contenant des pièces mobiles. Portez des gants de protection afin d'éviter les blessures corporelles.



AVERTISSEMENT: Lorsque vous travaillez avec le produit, des étincelles peuvent se former et mettre le feu. Gardez toujours à portée de main les outils nécessaires à l'extinction d'un feu.

Utilisez impérativement un équipement de protection individuel homologué lorsque vous utilisez le produit. L'équipement de protection personnelle n'élimine pas les risques mais réduit la gravité des blessures en cas d'accident. Demandez conseil à votre revendeur afin de choisir un équipement adéquat.

Utilisez toujours :

- Casque de protection homologué.
- Des protège-oreilles.
- Protection pour les yeux homologuée. L'utilisation d'un écran facial doit toujours s'accompagner du port de lunettes de protection homologuées. Par lunettes de protection homologuées, on entend celles qui sont en conformité avec les normes ANSI Z87.1 (États-Unis) ou EN 166 (pays de l'UE). La visière doit être conforme à la norme EN 1731.
- Protection respiratoire homologuée.
- Des gants de protection.
- Gants solides permettant une prise sûre.

- Vêtements confortables, robustes et serrés qui permettent une liberté totale de mouvement. La découpe crée des étincelles qui peuvent enflammer les vêtements. Husqvarna vous recommande de porter du coton ignifugé ou du denim épais. Ne portez pas de vêtements composés de matières comme le nylon, le polyester ou la rayonne. Si elles s'enflamment, ces matières peuvent fondre et adhérer à la peau. Ne portez pas de short.
- Bottes avec coquille en acier et semelle antidérapante.

Une trousse de premiers secours doit toujours être disponible.

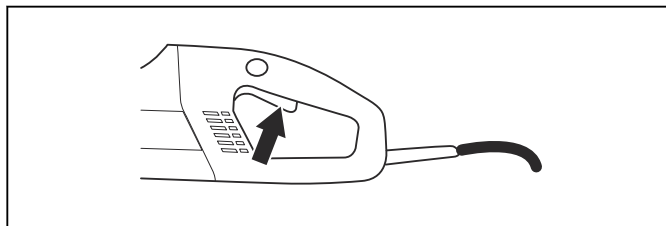
Dispositifs de sécurité sur le produit



AVERTISSEMENT: Lisez attentivement les instructions suivantes avant d'utiliser le produit.

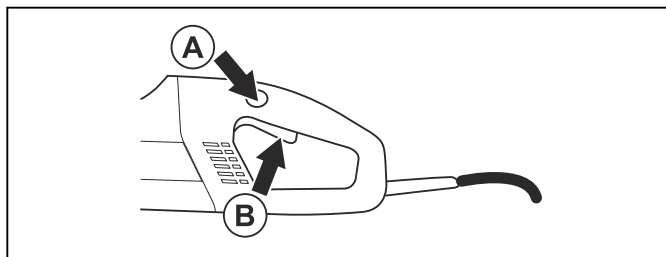
l'interrupteur

Appuyez sur l'interrupteur d'alimentation pour démarrer la découpeuse et relâchez-le pour l'arrêter.



Blocage de l'interrupteur

Le blocage de l'interrupteur a pour fonction d'empêcher toute activation involontaire de l'interrupteur. Appuyez sur l'interrupteur de blocage de l'alimentation (A) pour relâcher l'interrupteur d'alimentation (B).

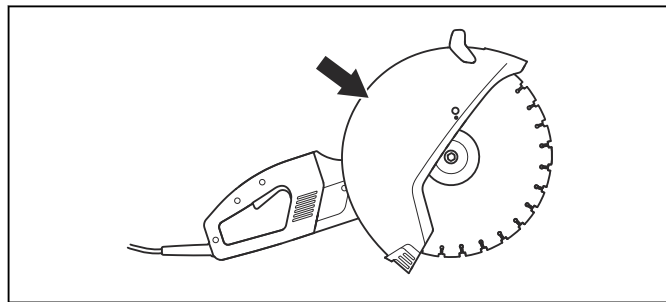


Le blocage de l'interrupteur d'alimentation reste relâché tant que l'interrupteur est relâché. Quand la poignée est relâchée, l'interrupteur et le blocage de l'interrupteur reviennent en position initiale. Ce retour s'effectue grâce à deux systèmes de ressorts de rappel indépendants l'un de l'autre. Dans cette position, la machine s'arrête et l'interrupteur se bloque.

Protège-lame

Ce protecteur est placé au-dessus du disque découpeur et a pour fonction d'empêcher que des éclats de disque

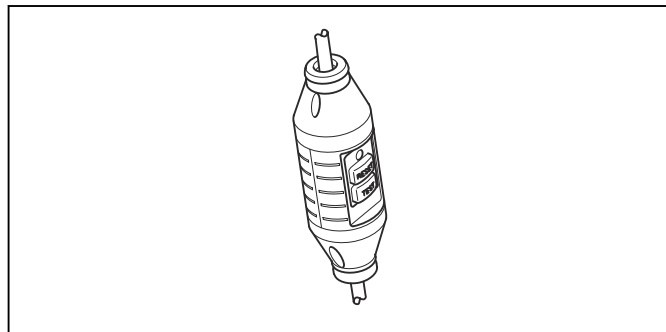
ou de matériau découpé ne soient projetés en direction de l'utilisateur.



Disjoncteur différentiel de fuite à la terre

Les disjoncteurs de fuite à la terre servent de protection en cas de défaut électrique.

La LED indique que le disjoncteur de fuite à la terre est activé et que la machine peut être mise en marche. Si la LED n'est pas allumée, appuyez sur le bouton RESET (Réinitialisation) (vert).



Consignes de sécurité pour l'entretien



AVERTISSEMENT: L'utilisateur ne peut effectuer que les travaux d'entretien et de révision décrits dans ce manuel de l'opérateur. Les mesures plus importantes doivent être effectuées dans un atelier d'entretien agréé.



AVERTISSEMENT: Le moteur doit être éteint et le bouton d'arrêt en position STOP.



AVERTISSEMENT: Portez un équipement de protection personnelle. Consultez la section *Équipement de protection individuelle* à la page 32.



AVERTISSEMENT: La durée de vie du produit risque d'être écourtée et le risque d'accidents accru si la maintenance du produit n'est pas effectuée correctement et si les mesures d'entretien et/ou de réparation ne sont pas effectuées de manière professionnelle. Pour obtenir de plus amples informations, contactez l'atelier de réparation le plus proche.



REMARQUE: Laissez au revendeur Husqvarna le soin de contrôler

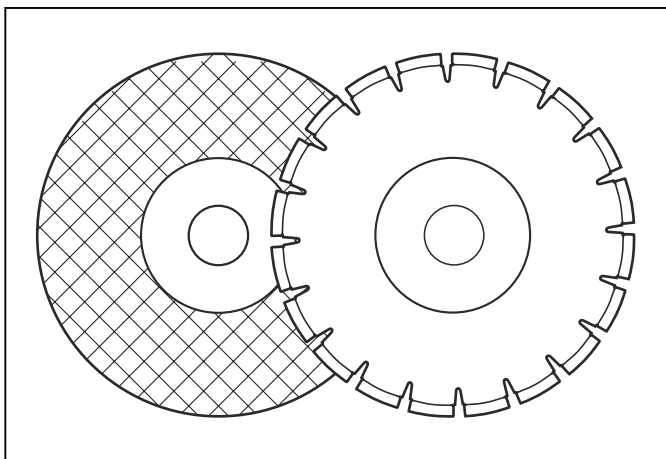
régulièrement le produit et d'effectuer les réglages et les réparations nécessaires.

MONTAGE

Disques de découpe

Les lames Husqvarna sont des lames à grande vitesse homologuées pour les découpeuses portables.

- Il existe deux modèles de lame de coupe : les lames abrasives et les lames diamantées.



- Des disques découpeurs de haute qualité sont souvent plus économiques.
- Les disques découpeurs de qualité inférieure ont souvent des capacités de coupe moindre et une durée de vie inférieure; ceci résulte en un coût plus élevé par rapport à la quantité de matériau découpé.
- Veillez à utiliser la bague correspondant à la lame de coupe montée sur le produit. Pour obtenir des instructions, consultez la section *Monter la lame de coupe à la page 38*

Disques découpeurs appropriés

Disques de découpe	K 4000	K 4000 with a Vac attachment
Lames abrasives	Oui*	Non
Lames diamant	Oui	Oui
Lames dentées	Non	Non

*Sans eau.

Pour plus d'informations, consultez *Caractéristiques techniques à la page 48*.

Lames de coupe pour matériaux divers



AVERTISSEMENT: N'utilisez jamais une lame de coupe avec un matériau différent de celui pour lequel elle est conçue.



AVERTISSEMENT: N'utilisez jamais une lame diamant pour couper de la matière plastique. La chaleur produite lors de la découpe risque de faire fondre le plastique, qui risque alors de coller au disque découpeur et de provoquer un rebond.



AVERTISSEMENT: La découpe de métal génère des étincelles pouvant provoquer un incendie. N'utilisez pas le produit près de gaz ou de substances inflammables.



AVERTISSEMENT: Il est interdit de couper du métal avec l'accessoire d'aspiration.

- Suivez les instructions fournies avec la lame de coupe concernant l'adaptation de la lame à diverses applications, ou demandez conseil à votre revendeur.

	Béton	Métal	Plastique	Fonte
Lames abrasives	X	X*	X	X
Lames diamant	X	X**	---	X**

*Uniquement sans l'accessoire d'aspiration.

**Lames spécialisées uniquement. Uniquement sans l'accessoire d'aspiration.

Lames de coupe pour les découpeuses portables

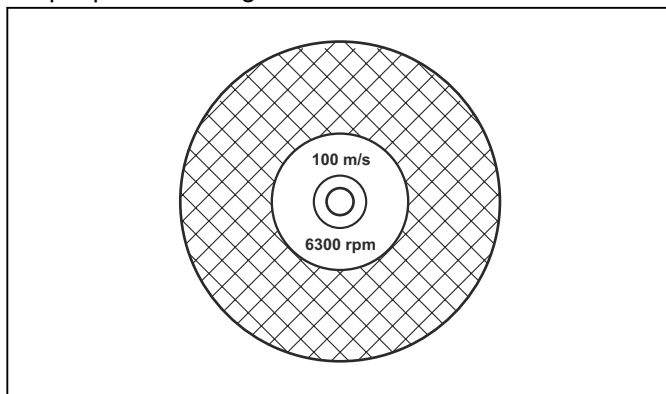


AVERTISSEMENT: Ne jamais utiliser un disque de découpe dont le marquage indique un régime inférieur à celui indiqué sur la plaque signalétique de la machine. N'utilisez que des lames de coupe conformes aux normes nationales ou régionales, par exemple EN 13236, EN 12413 ou ANSI B7.1.

- De nombreuses lames de coupe potentiellement adaptables sur cette découpeuse sont conçues pour les scies fixes et affichent un indice de vitesse inférieur à celui nécessaire pour cette découpeuse

portable. N'utilisez jamais de lames de coupe avec un indice de vitesse inférieur sur cette découpeuse.

- Les lames de coupe Husqvarna sont conçues pour des découpeuses portables à grande vitesse.
- La lame doit être homologuée pour une vitesse semblable ou supérieure à celle indiquée sur la plaque d'homologation du moteur.



Vibration de disque

- Le disque peut ne plus être rond et vibrer si une pression d'avance trop élevée est appliquée.
- Une pression d'avance plus faible peut réduire les vibrations. Sinon, remplacer le disque.

Lames abrasives

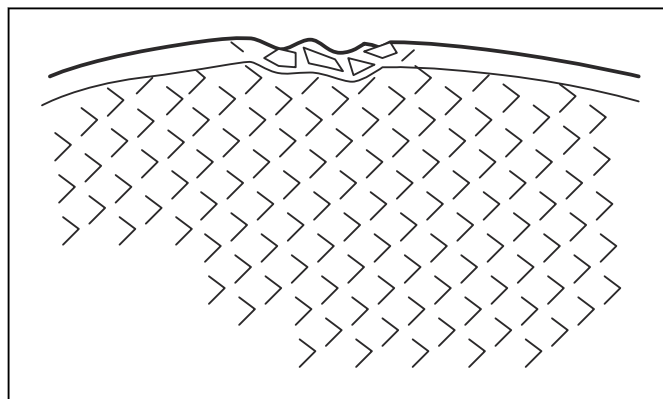


AVERTISSEMENT: N'utilisez pas d'eau avec des lames abrasives. Quand des lames abrasives sont exposées à l'eau ou à l'humidité, leur puissance s'en voit altérée, ce qui accroît le risque de rupture de la lame.

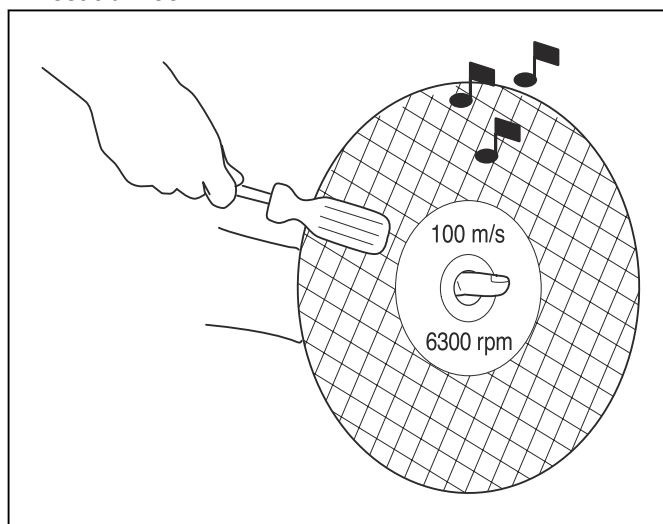


REMARQUE: Il est interdit de couper avec des lames abrasives et l'accessoire d'aspiration. L'utilisation de lames abrasives entraîne une usure anormale de l'accessoire d'aspiration.

- N'utilisez pas de roues renforcées usées d'outils électriques de plus grande taille. Les roues prévues pour un outil électrique de plus grande taille ne conviennent pas à la vitesse supérieure d'un outil de plus petite taille et peuvent se briser.
- Le matériau coupant d'une lame abrasive consiste en un agent abrasif aggloméré par un liant organique. Les lames renforcées ont un tissu ou filament résistant à la rupture complète à la vitesse maximale de travail au cas où la lame viendrait à être fendue ou endommagée.
- Les performances d'un disque dépendent du type et de la dimension des particules abrasives, ainsi que de la nature et de la dureté du liant.
- Assurez-vous que le disque découpeur n'est pas fissuré ou endommagé.



- Testez la lame abrasive en l'accrochant sur un de vos doigts et en la frappant doucement avec le manche d'un tournevis ou un objet similaire. Si la lame ne produit pas un son clair et plein, c'est qu'elle est abîmée.



- Veillez à ce que la bonne lame abrasive soit utilisée sur le matériau prévu.

Type de lame	Matériau
Béton	Béton, asphalte, roche, maçonnerie, fonte, aluminium, cuivre, laiton, câbles, caoutchouc, plastique, etc.
Métal	Acier, alliages d'acier et autres métaux durs.

Lames diamant



AVERTISSEMENT: N'utilisez jamais une lame diamant pour couper de la matière plastique. La chaleur produite lors de la découpe risque de faire fondre le plastique, qui risque alors de coller au disque découpeur et de provoquer un rebond.



AVERTISSEMENT: Lors de leur utilisation, les lames diamantées deviennent très chaudes. Une lame surchauffée est le

résultat d'une mauvaise utilisation et peut entraîner une déformation de la lame qui causerait des dommages et des blessures.

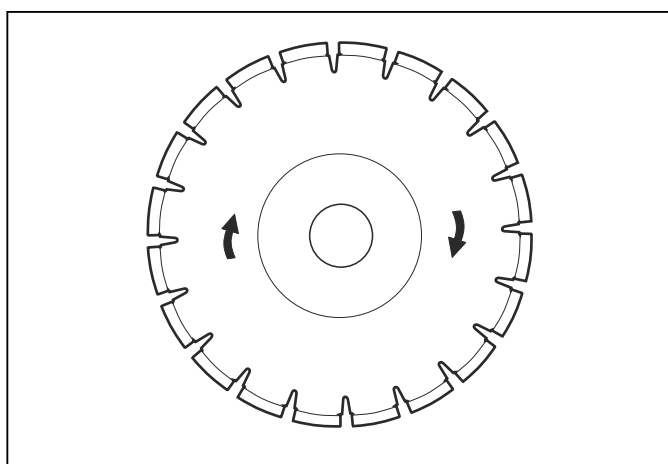


AVERTISSEMENT: La découpe de métal génère des étincelles pouvant provoquer un incendie. N'utilisez pas le produit près de gaz ou de substances inflammables.

Remarque: Les disques diamant sont disponibles en plusieurs degrés de résistance.

Remarque: Affûtez la lame en coupant un matériau tendre tel que du grès ou un bloc.

- Toujours utiliser une lame diamant acérée.
- Les lames diamant peuvent s'émousser en cas de pression d'avance incorrecte ou de découpe de certains matériaux comme du béton fortement armé. Le travail avec une lame diamantée émoussée comporte un risque de surchauffe pouvant provoquer la chute des segments en diamant.
- Les lames diamantées se composent d'une tôle et de segments contenant des diamants industriels.
- Les lames diamants sont recommandées pour tous les types de maçonneries, le béton armé et d'autres matériaux composites.
- Les disques diamant sont d'un coup inférieur par découpe, nécessitent moins de remplacements et ont une profondeur de découpe constante.
- Il convient d'utiliser des lames spéciales lors de la découpe de métal. Demander conseil au concessionnaire pour choisir le bon produit.
- En cas d'utilisation d'une lame diamantée, veillez à ce qu'elle tourne dans la direction des flèches sur la lame.



Disques diamant pour découpe à sec

- Les lames diamant pour découpe à sec peuvent être utilisées avec ou sans refroidissement à l'eau.
- Lors d'une découpe à sec, il convient de sortir la lame de son sillon de coupe toutes les 30 à 60 secondes et de la faire tourner librement pendant 10

secondes pour la faire refroidir. Sinon, la lame va surchauffer.

Disques diamant pour découpe à l'eau

Remarque: N'utilisez pas l'accessoire d'aspiration lors de découpes à l'eau. La boue de béton humide réduit considérablement la capacité d'aspiration de l'accessoire d'aspiration.

- Les disques diamant pour découpe à l'eau doivent être refroidis à l'eau. Sinon, la lame risque de surchauffer.
- L'eau refroidit la lame, augmente sa durée de vie et limite la formation de poussière.
- Le refroidissement par eau utilisé lors de la découpe du béton refroidit le disque découpeur, augmente sa durée de vie et limite la formation de poussière. Parmi les inconvénients, nommons des difficultés à basse température, le risque d'endommagement du sol et des autres éléments de construction et le risque de glissements.

Lame diamantée : saillie

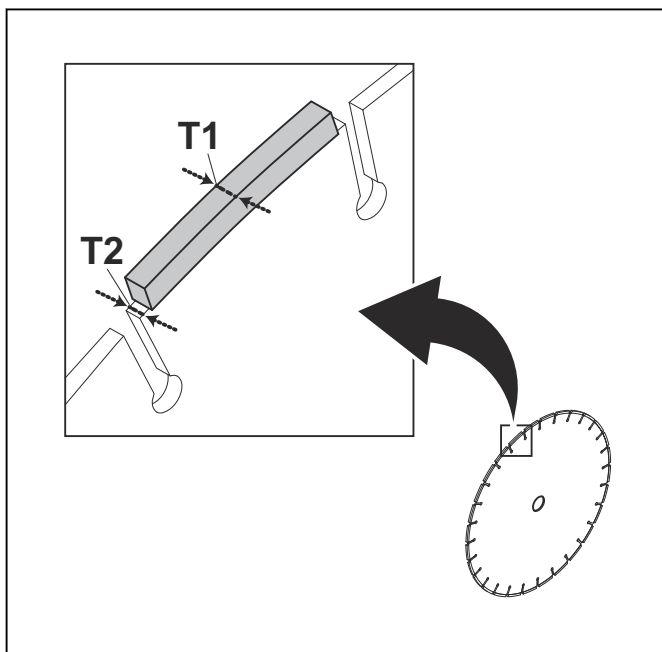


AVERTISSEMENT: Vérifiez que le segment en diamant (T1) est plus large que la tôle de la lame (T2) pour empêcher toute torsion dans la rainure de coupe et tout rebond.

Remplacez la lame avant qu'elle ne soit complètement usée.



REMARQUE: Certaines situations de coupe ou des lames de mauvaise qualité peuvent provoquer une usure excessive sur le côté des segments.



Certaines lames Husqvarna sont disponibles avec des indicateurs d'usure de la saillie pour vous aider à déterminer la durée de vie de la lame.

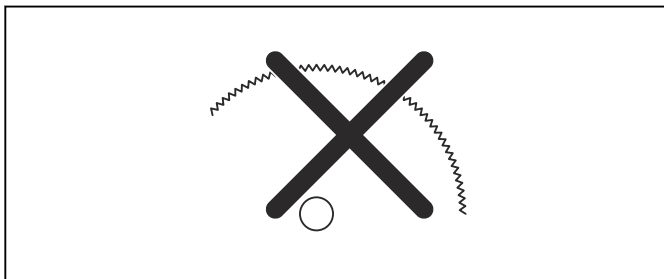
Lames dentées



AVERTISSEMENT: N'utilisez jamais de lames dentées telles que des lames de coupe de bois, des lames dentées circulaires, des lames à plaquettes, etc. À grande vitesse, le risque de rebond est nettement plus important et les extrémités de lame peuvent être arrachées et projetées. Toute négligence peut causer de graves blessures ou peut être fatale.



AVERTISSEMENT: La réglementation gouvernementale impose un type différent de dispositif de protection pour les lames à plaquettes, non disponible sur les découpeuses : une protection 360 degrés. Les découpeuses (cette chaîne) sont dotées de lames abrasives ou diamantées et sont équipées d'un système de protection différent qui ne protège pas contre les dangers présentés par les lames de coupe de bois.



L'utilisation de cette découpeuse avec une lame à plaquettes constitue une violation des réglementations sur la sécurité du travail.

En raison de la nature dangereuse et des circonstances exigeantes de la lutte contre le feu et des opérations de secours menées par les différentes forces de sécurité publique très bien formées, des professionnels de la sécurité, Husqvarna a conscience qu'il est possible que celles-ci utilisent cette découpeuse avec des lames à plaquettes dans certaines situations d'urgence, en raison de la capacité des lames à plaquettes à couper différents types d'obstacles et de matériaux sans devoir passer du temps à changer de lame ou de machine. Lorsque vous utilisez cette découpeuse, souvenez-vous en toutes circonstances que les lames à plaquettes sont plus sujettes aux rebonds que les disques abrasifs ou les lames diamant si elles ne sont pas utilisées correctement. Les lames à plaquettes peuvent également projeter des morceaux de matériau.

Pour ces raisons, une découpeuse équipée d'une lame à plaquettes ne doit jamais être utilisée, sauf par des professionnels de la sécurité publique ayant reçu une formation et conscients des risques liés à cette

utilisation, et ce, uniquement dans des circonstances exigeantes dans lesquelles les autres outils sont jugés inefficaces pour des opérations de secours ou de lutte contre le feu. N'utilisez jamais de découpeuse équipée d'une lame à plaquettes pour couper du bois lorsqu'il ne s'agit pas d'une opération de secours.

Examen de l'arbre à broche et des rondelles d'accouplement

Examinez les rondelles d'accouplement et l'arbre à broche lors du remplacement de la lame.



REMARQUE: N'utilisez que des rondelles d'accouplement fournies par Husqvarna, d'un diamètre min. de 105 mm/4,1 po.

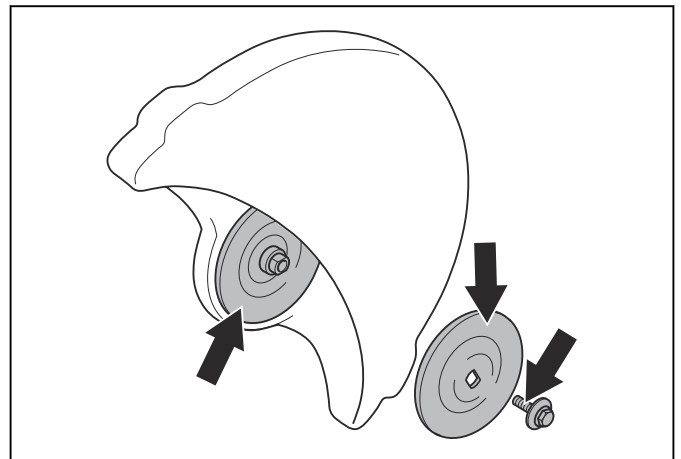


REMARQUE: Ne pas utiliser des rondelles d'accouplement aux bords abîmés, cassées ou sales.



REMARQUE: Ne pas utiliser des rondelles d'accouplement de différentes dimensions.

1. Vérifiez que les filetages de l'arbre à broche sont en bon état.
2. Vérifiez que les surfaces de contact de la lame et des rondelles d'accouplement sont en bon état, de la dimension correcte et propres, et qu'elles fonctionnent correctement sur l'arbre à broche.



Examen de la bague de l'arbre

Assurez-vous que les bagues de l'arbre sont adaptées au trou central de la lame de coupe.

Le produit est fourni avec une bague fixe ou une bague qui peut être retournée pour s'adapter à des trous centraux de 20 ou 25,4 mm (1 po).

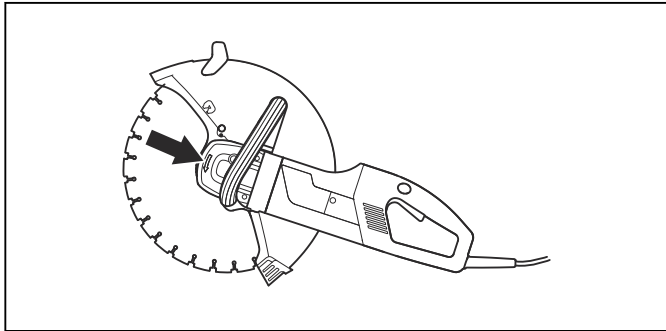
- Assurez-vous que la bague sur l'arbre à broche du produit correspond au trou central de la lame de coupe.

Le diamètre du trou central est marqué sur les lames.

Examen du sens de rotation de la lame de coupe

En cas d'utilisation d'une lame diamantée, veillez à ce qu'elle tourne dans la direction des flèches sur la lame.

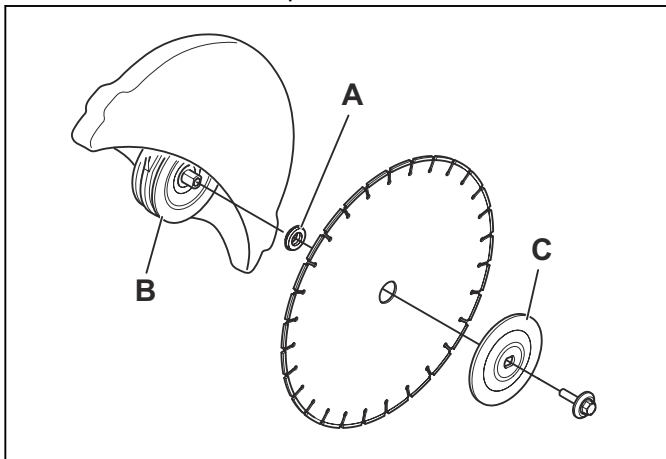
- Examinez le sens de rotation de la lame de coupe indiqué par les flèches situées sur le bras de coupe.



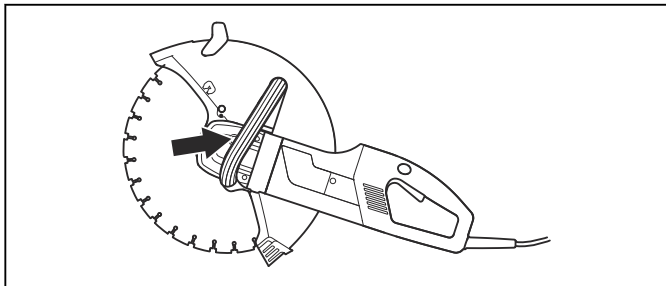
Monter la lame de coupe

Le couple de serrage du boulon qui maintient la lame de coupe est de 25 Nm (18,5 lb.pi).

La lame de coupe est placée sur la bague (A) entre la rondelle d'accouplement interne (B) et la rondelle d'accouplement (C). La rondelle d'accouplement est tournée de sorte à s'adapter à l'arbre.



- Verrouillez l'arbre/la lame de coupe avec le bouton de blocage à l'arrière de la machine. Le bouton est réinitialisé lorsqu'il est relâché.



Réglage du protège-lame



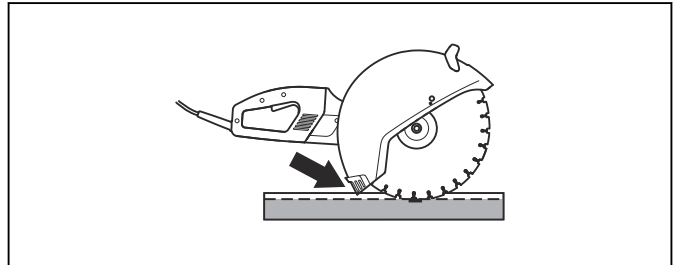
AVERTISSEMENT: Vérifiez toujours que le protège-lame est monté correctement avant de démarrer la machine.

La protection de l'équipement de coupe doit être positionnée de sorte que sa partie arrière soit en contact avec la pièce à travailler.

Les projections et les étincelles du matériau coupé sont alors recueillies par la protection et dirigées loin de l'utilisateur.

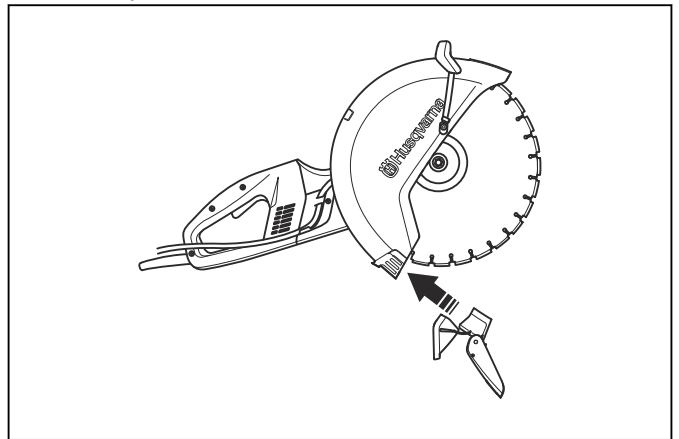
Le protège-lame est bloqué par friction.

- Appuyez les extrémités de la protection contre la pièce à travailler ou ajustez la protection à l'aide de la poignée de réglage.

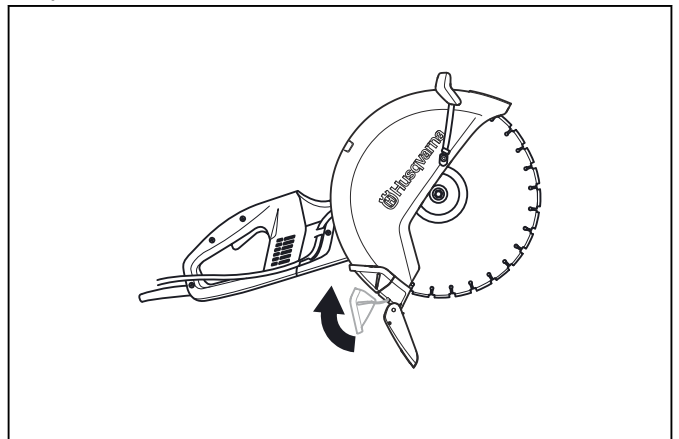


Réglage de la protection anti-projections

- Faites glisser la protection anti-projections dans les fentes à l'arrière du capot de protection sur la lame de coupe.



- Assurez-vous que la prise de verrouillage repose sur la languette sur le capot. Rabattez la prise de verrouillage et poussez-la contre le capot de protection.



FONCTIONNEMENT

Techniques de travail de base



AVERTISSEMENT: Ne tirez pas la découpeuse sur un côté. La lame risquerait alors de rester coincée ou de se casser, ce qui pourrait entraîner des blessures.



AVERTISSEMENT: Ne meulez pas sur le côté de la lame. Le meulage entraîne des cassures ou des dommages. N'utiliser que le tranchant.



AVERTISSEMENT: Avant d'entrer dans une rainure existante effectuée par une autre lame, vérifiez que la rainure n'est pas plus fine que votre lame, car cela peut entraîner une torsion dans la rainure de coupe et un rebond.



AVERTISSEMENT: N'utilisez jamais une lame diamant pour couper de la matière plastique. La chaleur produite lors de la découpe risque de faire fondre le plastique, qui risque alors de coller au disque découpeur et de provoquer un rebond.



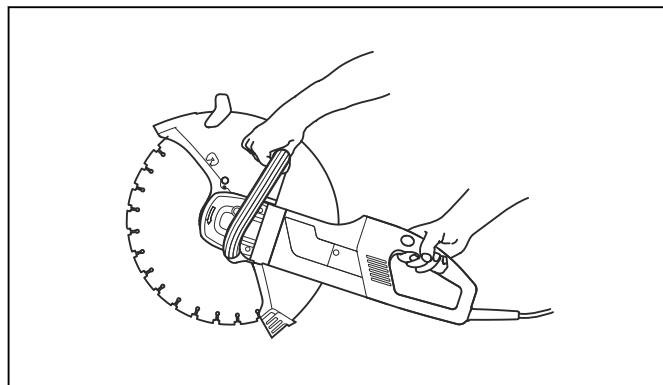
AVERTISSEMENT: La découpe de métal génère des étincelles pouvant provoquer un incendie. N'utilisez pas le produit près de gaz ou de substances inflammables.



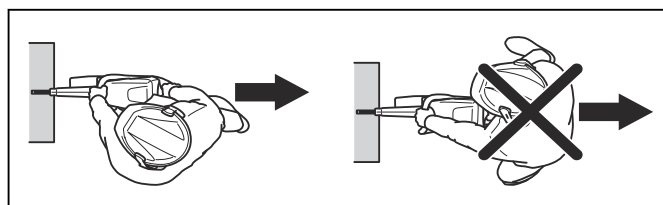
AVERTISSEMENT: Il est interdit de couper du métal avec l'accessoire d'aspiration.

- Le produit est conçu pour couper avec des lames abrasives ou des lames diamantées destinées à des produits portables à grande vitesse. Le produit ne doit pas être utilisé avec d'autres types de lames ou d'autres types de découpes.
- Vérifiez également que le disque découpeur est correctement monté et qu'il ne présente aucun dommage. Consultez la section *Disques de découpe à la page 34* pour plus d'instructions.
- Vérifiez que le type de disque découpeur utilisé convient à l'application en question. Consultez la section *Disques de découpe à la page 34* pour plus d'instructions.
- Ne coupez jamais de matériaux en amiante !
- Tenez fermement la scie à deux mains, en encerclant les poignées de vos pouces et autres doigts. Tenez la main droite sur la poignée arrière et la main gauche sur la poignée avant. Tous les utilisateurs, qu'ils soient droitiers ou gauchers,

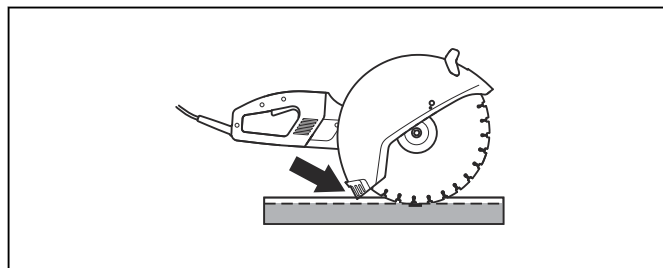
doivent la tenir ainsi. N'utilisez jamais une découpeuse en la tenant d'une seule main.



- Tenez vous parallèlement au disque découpeur. Évitez de vous tenir juste derrière celle-ci. En cas de rebond, la scie bouge dans le plan du disque découpeur.

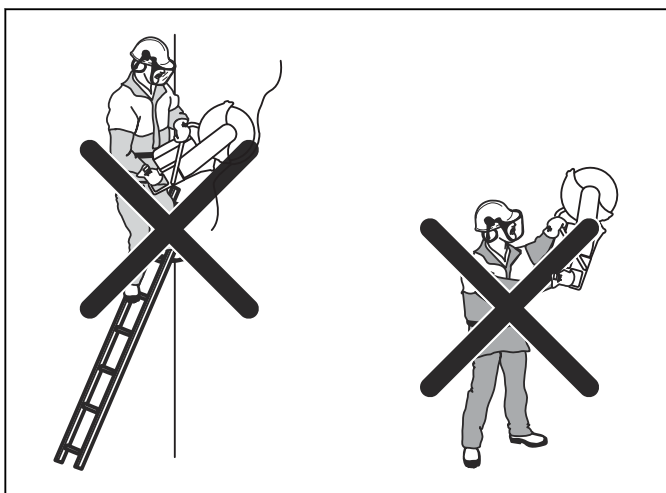


- Si la lame se bloque dans l'entaille ou lors de l'interruption d'une découpe, relâchez l'accélérateur et attendez que la lame s'arrête. N'extrayez pas la lame de l'entaille lorsque la lame est en mouvement. Dans le cas contraire, un rebond peut se produire.
- Tenez-vous éloigné du disque découpeur tandis que le moteur tourne. N'essayez pas d'arrêter une lame en rotation avec une partie de votre corps.
- Ne déplacez pas la machine quand l'équipement de coupe tourne. Assurez-vous que la lame s'est totalement arrêtée avant de poser la machine sur le sol.
- La protection de l'équipement de coupe doit être positionnée de sorte que sa partie arrière soit en contact avec la pièce à travailler. Les projections et les étincelles du matériau découpé sont alors recueillies par la protection et dirigées loin de l'utilisateur. Les protections de l'équipement de coupe doivent toujours être montées quand le produit est en marche.



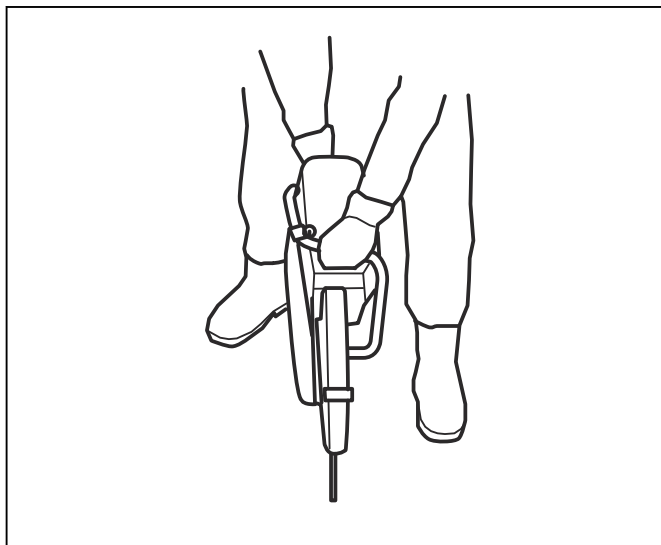
- N'utilisez jamais la zone de rebond du disque pour découper. Consultez la section *Rebond à la page 41* pour plus d'instructions.

- Redoublez de prudence lorsque vous effectuez une « découpe d'ouverture » dans des murs existants ou d'autres zones aveugles. La roue qui dépasse peut couper des tuyaux de gaz ou d'eau, des câbles électriques ou des objets qui pourraient provoquer un rebond.
- Soyez bien en équilibre, les pieds d'aplomb.
- Ne jamais découper au-dessus de la hauteur des épaules.
- Ne coupez jamais sur une échelle. Utilisez une plate-forme ou un échafaudage en cas de découpe au-dessus de la hauteur d'épaule.

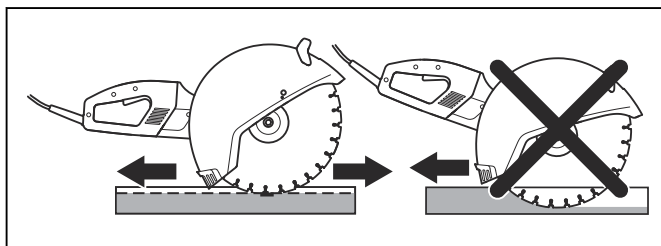


- Ne vous éloignez pas trop.
- Tenez-vous à une distance confortable de la pièce à découper.
- Toujours adopter une position de travail sûre et stable.
- Contrôlez que la lame n'est pas en contact avec quoi que ce soit quand la machine est démarrée.
- Appliquez délicatement la lame de coupe à haute vitesse de rotation (plein régime). Maintenez la vitesse maximale jusqu'à la fin de la découpe.
- Laissez travailler le produit sans essayer de forcer ni d'enfoncer la lame.

- Avancez le produit dans l'axe de la lame. Les pressions latérales peuvent détruire le disque découpeur et sont très dangereuses.



- Déplacer lentement le disque d'avant en arrière pour obtenir une petite surface de contact entre le disque et le matériau à découper. De cette manière, la température du disque demeure basse et la découpe est efficace.



Utilisation et entretien de la machine à usiner

- **Ne forcez pas sur la machine à usiner. Utilisez la machine à usiner qui convient à l'application.** La machine qui convient réalisera mieux son travail et de façon plus sûre, à la vitesse pour laquelle elle a été conçue.
- **N'utilisez pas la machine à usiner si l'interrupteur ne permet pas la mise sous tension ou l'arrêt.** Toute machine à usiner impossible à commander avec l'interrupteur est dangereuse et doit être réparée.
- **Débrancher la fiche de la prise et/ou du bloc d'alimentation avant de procéder aux réglages, de changer les accessoires ou de stocker la machine.** Ces mesures de sécurité préventive réduisent le risque de mise sous tension accidentelle de la machine à usiner.
- **Rangez les machines à usiner hors de la portée des enfants et ne pas laisser des personnes qui ne connaissent pas la machine ou ces consignes utiliser l'appareil.** Les machines à usiner sont dangereuses si elles sont entre les mains d'utilisateurs non formés.
- **Entretenez les machines à usiner. Vérifier le mauvais alignement ou la fixation des pièces**

mobiles, l'éventuelle rupture des pièces ou toute autre condition susceptible d'altérer le fonctionnement de la machine. Si elle est endommagée, la machine à usiner doit être réparée avant toute réutilisation. De nombreux accidents sont dus à des machines mal entretenues.

- **Maintenez les outils tranchants aiguisés et propres.** Des outils tranchants correctement entretenus avec des bords aiguisés sont moins susceptibles de se coincer et sont plus faciles à contrôler.
- **Utilisez l'outil électrique, les accessoires, les mèches, etc. en suivant ces consignes et en tenant compte des conditions de travail et de la tâche à réaliser.** L'utilisation de l'outil électrique pour des opérations autres que celles pour lesquelles il a été conçu peut entraîner des situations dangereuses.
- Vous ne devez en aucun cas modifier la conception d'origine de la machine sans l'approbation du fabricant. Utilisez toujours les pièces de rechange d'origine. Toute modification et/ou accessoire non autorisé peut entraîner des blessures graves, voire mortelles à l'utilisateur ou à d'autres personnes présentes.
- Assurez-vous qu'aucun tuyau ou câble électrique ne passe par la zone de travail ou dans le matériau à découper.
- Vérifiez et repérez toujours l'emplacement des tuyaux de gaz. La coupe près de conduites de gaz entraîne toujours un danger. Assurez-vous qu'aucune étincelle n'est créée lors de la coupe, en raison du risque d'explosion. Restez concentré sur la tâche. Toute négligence peut causer de graves blessures ou être fatale.
- La protection de l'équipement de coupe doit toujours être montée quand la machine est en marche.

Entretien

- Confiez l'entretien de votre outil électrique à un mécanicien qualifié qui utilisera uniquement des pièces de rechange identiques. Cela permet de garantir la sécurité de la machine.

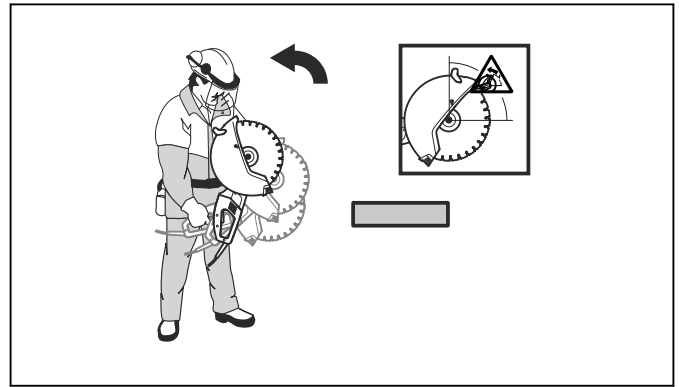
Rebond



AVERTISSEMENT: Les rebonds sont soudains et peuvent être très violents. La découpeuse peut être éjectée vers le haut puis retomber en direction de l'utilisateur dans un mouvement de rotation qui peut causer des blessures sérieuses, voire mortelles. Il est indispensable de comprendre ce qui cause le rebond et de savoir comment l'éviter avant d'utiliser le produit.

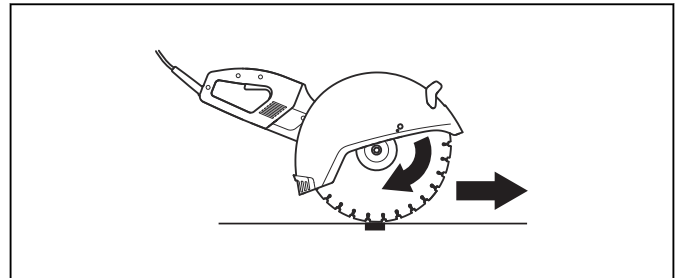
Le rebond est un mouvement soudain vers le haut qui peut survenir si la lame se pince ou se coince dans la

zone de rebond. La plupart des rebonds sont légers et présentent peu de dangers.



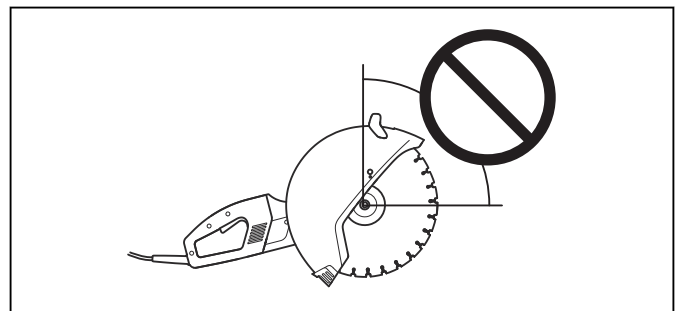
Force de réaction

- Une force de réaction s'exerce toujours lors de la découpe. Cette force tire le produit dans le sens opposé à la rotation de la lame. La plupart du temps, cette force est insignifiante. Si la lame se pince ou se coince, la force de réaction sera forte et il est possible que vous perdiez le contrôle de la découpeuse.



Zone de rebond

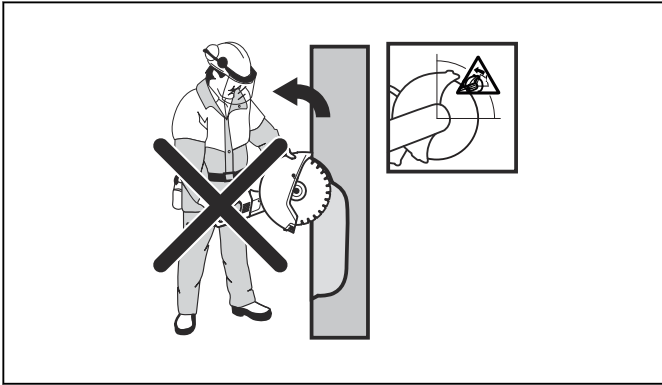
- N'utilisez jamais la zone de rebond du disque pour découper. Si la lame se pince ou se coince dans la zone de rebond, la force de réaction va pousser la découpeuse vers le haut, puis la faire retomber en direction de l'utilisateur dans un mouvement de rotation qui peut causer des blessures sérieuses, voire mortelles.



Rebond de grimpée

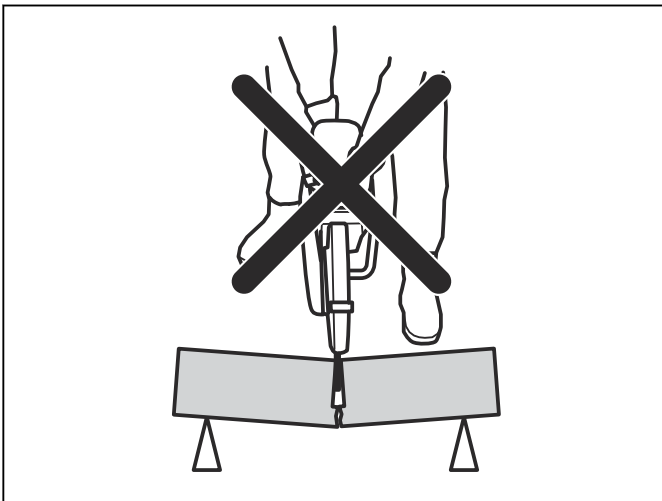
- Si la zone de rebond est utilisée pour la découpe, la force de réaction entraîne une grimpée de la lame dans l'entaille. N'utilisez pas la zone de rebond.

Utilisez le quart inférieur du disque pour éviter le rebond de grimpée.



Rebond de pincement

- Un pincement se produit quand l'entaille se referme et pince la lame. Si la lame se pince ou se coince, la force de réaction sera forte et il est possible que vous perdiez le contrôle de la découpeuse.



- Si la lame se pince ou se coince dans la zone de rebond, la force de réaction va pousser la découpeuse vers le haut, puis la faire retomber en direction de l'utilisateur dans un mouvement de rotation qui peut causer des blessures sérieuses, voire mortelles.

Coupe de tubes



AVERTISSEMENT: Si la lame est coincée dans la zone de rebond, il en résultera un important rebond.

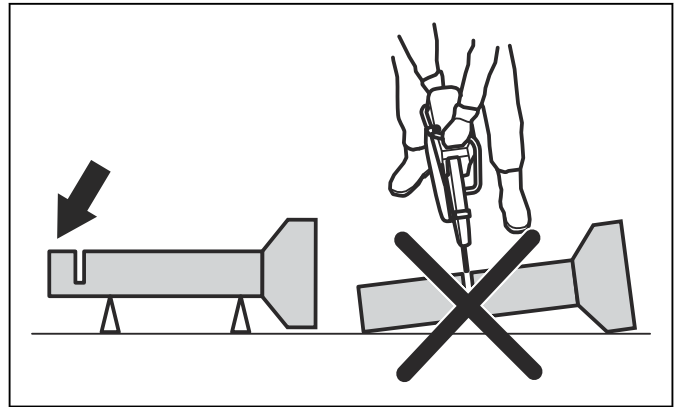


AVERTISSEMENT: Assurez-vous que le tube est correctement soutenu de façon à ce que son extrémité se déplace vers le bas lors de la coupe.

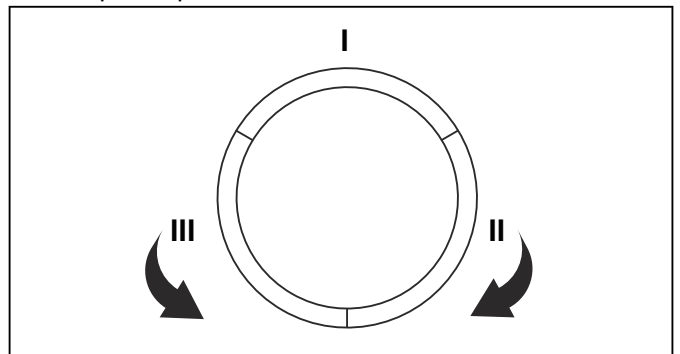
Faites particulièrement attention lorsque vous découpez des tubes. Si le tube n'est pas bien soutenu et si l'entaille n'est pas maintenue ouverte pendant la découpe, la lame risque d'être pincée. Faites particulièrement attention lors de la découpe d'un tuyau en tulipe ou d'un tuyau dans une tranchée qui, s'il n'est

pas correctement soutenu, risque de pendre et de pincer la lame.

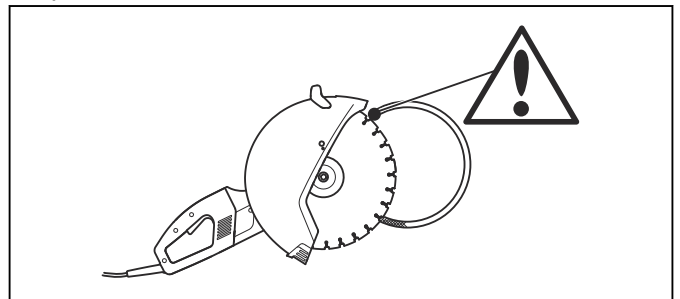
- Fixez le tube de sorte qu'il ne puisse pas bouger ou rouler pendant la découpe.



- Coupez la partie « I » du tube.



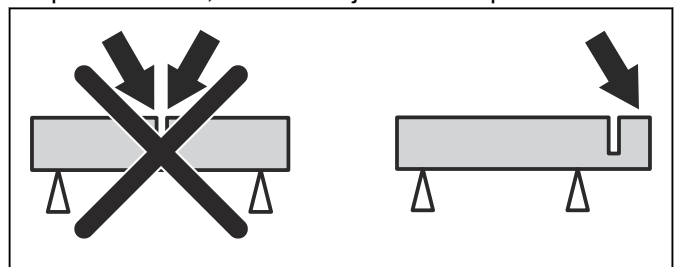
- Assurez-vous que l'entaille s'ouvre afin d'éviter tout pincement.



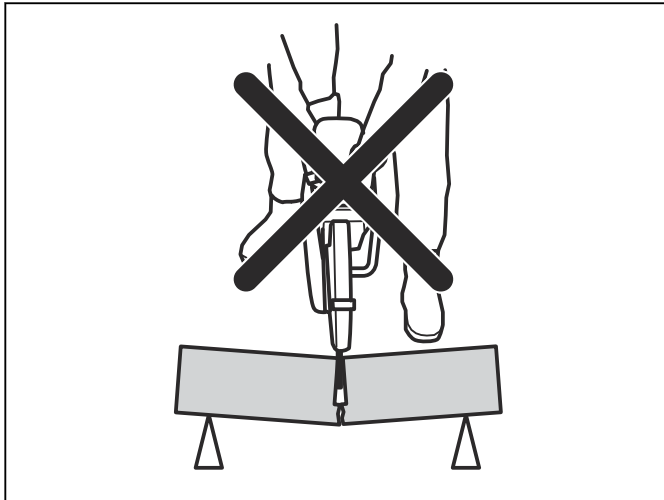
- Passez à la section « II » et découpez de la section I jusqu'au bas du tube.
- Passez à la section « III » et découpez la partie restante du tube, en finissant en bas.

Mesures anti-rebond

- Veillez à toujours soutenir la pièce à usiner de sorte que l'entaille puisse rester ouverte lors de la découpe. Lorsque l'entaille est ouverte, aucun rebond ne se produit. Si l'entaille est refermée et pince la lame, il existe toujours un risque de rebond.



- Faites attention lorsque vous introduisez la lame dans une entaille existante.
- Faites attention aux mouvements de la pièce à usiner ou à toute action pouvant se produire. Le mouvement ou toute autre action pourrait entraîner la fermeture de l'entaille et le pincement de la lame.



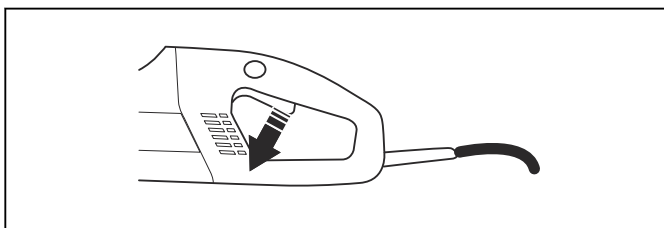
- Ne laissez pas le tube pendre et fermer l'entaille. Dans le cas contraire, la lame peut être pincée dans la zone de rebond et un important rebond peut survenir.
- Soutenez correctement l'extrémité du tube afin de le laisser se déplacer vers le bas, de façon à ce que l'entaille puisse être ouverte, ce qui évitera tout pincement.

Examen de l'interrupteur d'alimentation



AVERTISSEMENT: Un interrupteur défectueux doit être remplacé par un atelier d'entretien agréé.

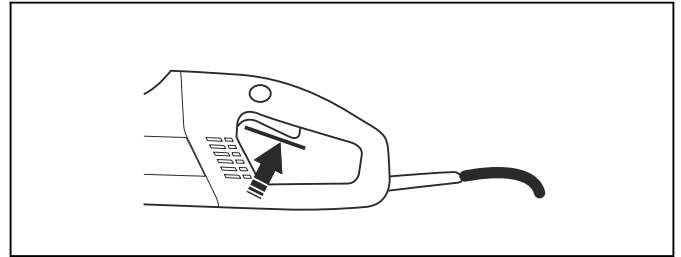
- Démarrez le produit et relâchez l'interrupteur d'alimentation.



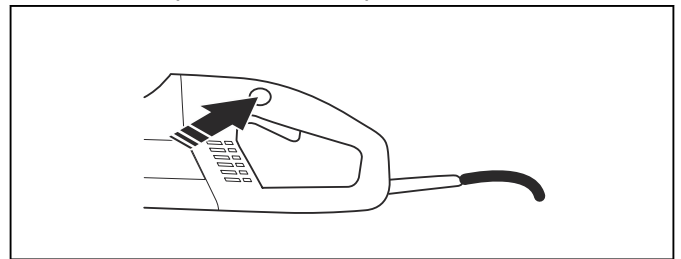
- Assurez-vous que le moteur et la lame de coupe s'arrêtent.

Examen du blocage de l'interrupteur d'alimentation

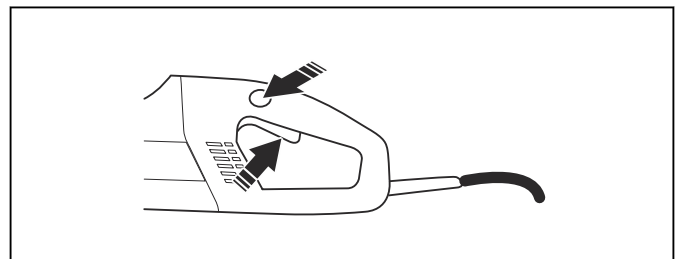
- Contrôler que l'interrupteur est bloqué quand le blocage de l'interrupteur est en position de repos.



- Appuyer sur le blocage de l'interrupteur et vérifier qu'il revient en position initiale quand il est relâché.



- Vérifiez que l'interrupteur d'alimentation et le blocage de l'interrupteur se déplacent librement, et que le système de ressorts de rappel fonctionne correctement.



- Démarrez le produit, relâchez l'interrupteur et contrôlez que le moteur et la lame de coupe s'arrêtent.

Examen du protège-lame



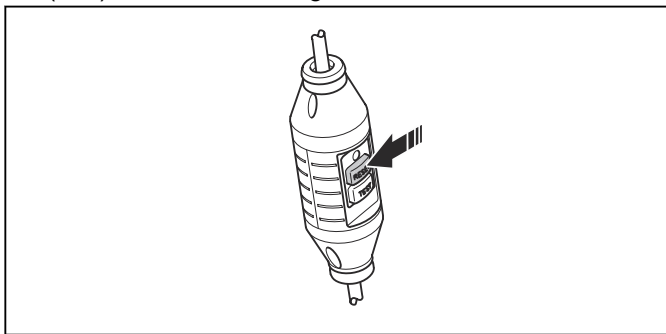
AVERTISSEMENT: Vérifiez toujours que le protège-lame est monté correctement avant de démarrer la machine. Vérifiez également que la lame de coupe est correctement montée et qu'elle ne présente aucun dommage. Un disque découpeur endommagé peut causer des blessures. Voir les instructions au chapitre Montage.

- Contrôlez que la protection est entière et qu'elle n'est ni fissurée ni déformée.

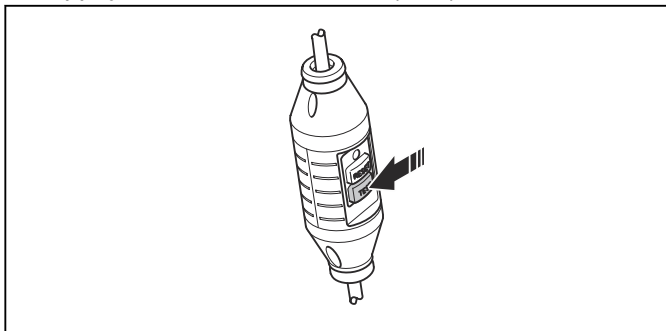
Vérification du disjoncteur différentiel de fuite à la terre

- Raccordez la machine à la prise.

- Appuyez sur le bouton RESET (Réinitialisation) (vert) et les diodes rouges s'allumeront.



- Démarrer la machine.
- Appuyez sur le bouton TEST (bleu).



- Le disjoncteur de fuite à la terre doit se déclencher et la machine doit s'arrêter instantanément. Dans le cas contraire, contactez votre revendeur.
- Appuyez sur le bouton RESET (Réinitialisation) (vert).

Avant la mise en marche



AVERTISSEMENT: Lisez attentivement et assimilez le manuel d'utilisation avant d'utiliser le produit.



AVERTISSEMENT: Portez un équipement de protection personnelle. Consultez la section *Équipement de protection individuelle* à la page 32.



AVERTISSEMENT: Veillez à ce qu'aucune personne non autorisée ne se trouve dans la zone de travail pour éviter le risque de blessures graves.

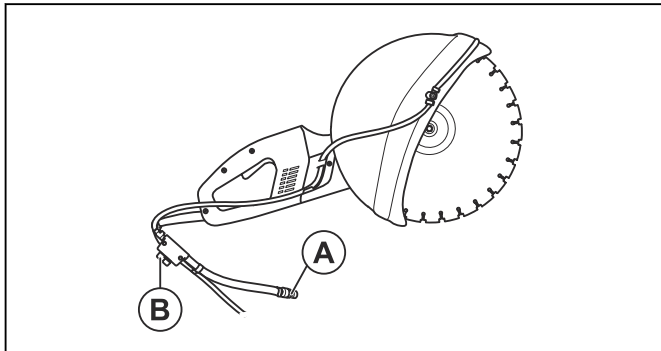


AVERTISSEMENT: Veillez à ce que la tension secteur soit conforme aux valeurs sur la plaque signalétique du produit.

Effectuez un entretien quotidien. Reportez-vous à la section *ENTRETIEN* à la page 45.

Raccordement de l'eau

- Raccordez le flexible à eau à l'arrivée d'eau (A).



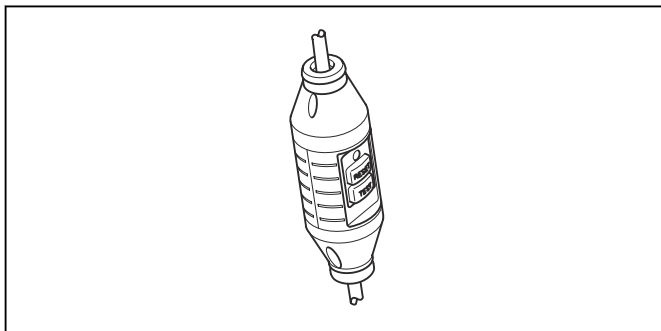
- Tournez le robinet d'eau (B) pour laisser l'eau s'écouler ou l'arrêter.

Actionnement du disjoncteur de fuite à la terre



AVERTISSEMENT: N'utilisez jamais l'outil si le disjoncteur de fuite à la terre n'a pas été livré avec l'outil. Toute négligence peut causer de graves blessures ou peut être fatale.

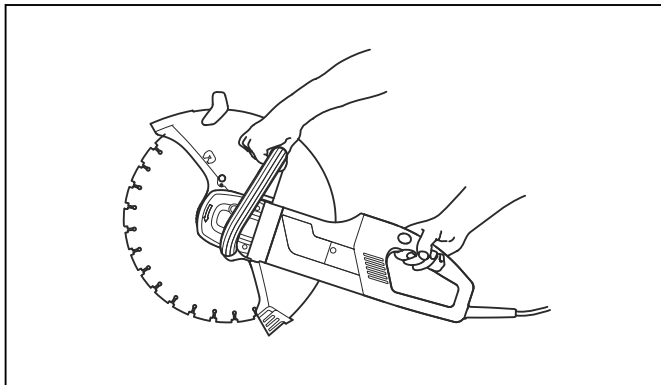
- Assurez-vous que le disjoncteur de fuite à la terre est fermé.



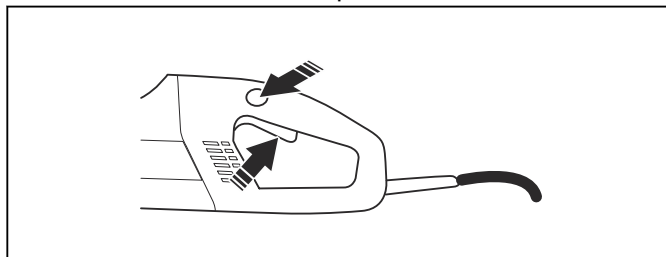
- Faites démarrer le produit. Si la LED n'est pas allumée, appuyez sur le bouton RESET (Réinitialisation) (vert).
- Examinez le disjoncteur de fuite à la terre.

Pour démarrer le produit

- Maintenez la poignée avant avec la main gauche.
- Maintenez la poignée arrière avec la main droite.



3. Enfoncez le blocage de l'interrupteur avec le pouce droit et enfoncez l'interrupteur.



4. Faites fonctionner le produit sans charge de façon sûre pendant au moins 30 secondes.

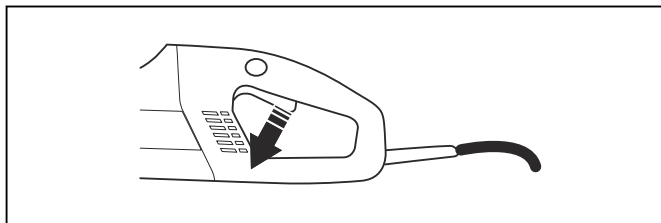
Pour arrêter le produit



AVERTISSEMENT: La lame de coupe continue à tourner pendant au maximum

une minute après l'arrêt du moteur (connu comme le fonctionnement libre de la lame). Assurez-vous que la lame de coupe tourne librement jusqu'à l'arrêt complet. Toute négligence peut causer des blessures graves.

1. Relâchez l'interrupteur d'alimentation pour arrêter le moteur.



ENTRETIEN

Calendrier de maintenance

Sur le calendrier de maintenance, vous pouvez voir les pièces de votre produit pour lesquelles la maintenance est nécessaire. Vous pouvez également voir à quelle

fréquence la maintenance doit être effectuée. La fréquence est calculée en fonction de l'utilisation quotidienne du produit et peut varier en fonction du taux d'utilisations diverses.

	Au quotidien	Une fois par semaine / Toutes les 40 heures	Une fois par an
Nettoyage	Nettoyage extérieur		
	Prise d'air de refroidissement		
Contrôle fonctionnel	Inspection générale	Balais de charbon	
	Interrupteur*		
	Blocage de l'interrupteur*		
	Protège-lame*		
	Lame de coupe*		
	Système de distribution d'eau		
Modifier			Graissage de la boîte de vitesse

*Consultez les instructions dans la section *Dispositifs de sécurité sur le produit à la page 33.*

**Consultez les instructions dans la section *Disques de découpe à la page 34.*

Procédures de nettoyage

Nettoyage extérieur



AVERTISSEMENT: N'utilisez pas de nettoyeur haute pression pour rincer la partie interne du produit.

Le produit peut résister à l'air humide et aux éclaboussures pendant les opérations de découpe. Lors de découpe de matériaux comme le béton ou la brique, qui peuvent contenir du sel, vous devez rincer le produit une fois le travail terminé. Le nettoyage réduit le risque de formation d'accrétions dans le moteur. Les accrétions dans le moteur peuvent causer un courant de fuite entre les composants électriques. Le courant de fuite peut

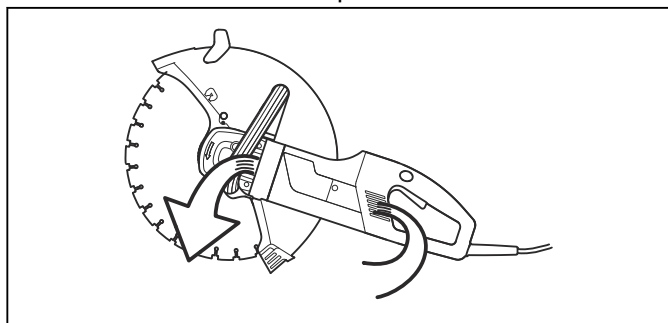
provoquer le déclenchement accidentel du disjoncteur de fuite à la terre.

1. Rincez le produit quotidiennement à l'eau propre, une fois le travail terminé.
2. Positionnez le produit avec la poignée arrière pointant vers le haut.
3. Rincez les prises d'air de la poignée arrière à l'eau propre. L'eau s'échappera par les sorties d'air avant.
4. Branchez la prise et faites tourner le moteur pendant environ 30 secondes pour accélérer son séchage.

Nettoyage de la prise d'air de refroidissement

Le produit dispose d'un ventilateur qui permet de faire baisser la température du moteur. Actionnez la poignée arrière du produit pour absorber l'air de refroidissement à travers la grille. L'air peut passer le long du stator et du rotor et ressortir par l'avant du carter moteur.

1. Veillez toujours à ce que les ouvertures de l'air de refroidissement soient dégagées et propres afin de refroidir suffisamment le produit.



2. Soufflez régulièrement de l'air comprimé dans le produit.

Contrôles fonctionnels

Contrôle général des fonctions



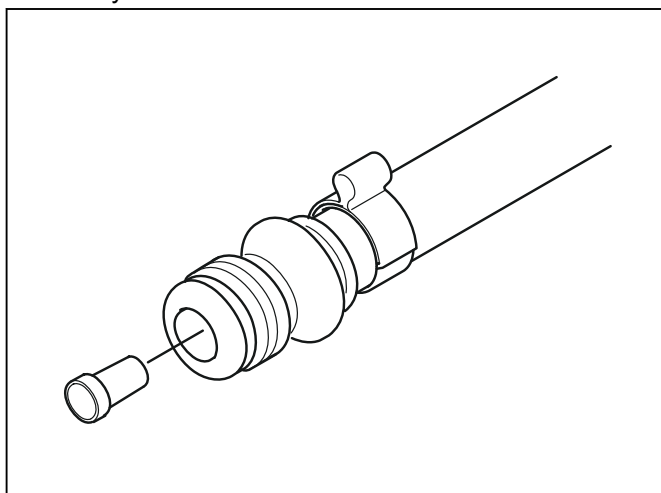
AVERTISSEMENT: N'utilisez jamais de câbles endommagés. Ils peuvent causer des blessures corporelles graves, voire mortelles.

1. Contrôlez que le câble et la rallonge sont entiers et en bon état. N'utilisez jamais le produit si le câble est endommagé ; vous devez le confier à un atelier d'entretien agréé pour réparation.
2. Assurez-vous que les écrous et les vis sont serrés.

Contrôle du système de distribution d'eau

1. Vérifiez que les buses sur le protège-lame ne sont pas obstruées.
2. Nettoyez-les si nécessaire.
3. Vérifiez que le filtre sur le raccord d'eau n'est pas obstrué.

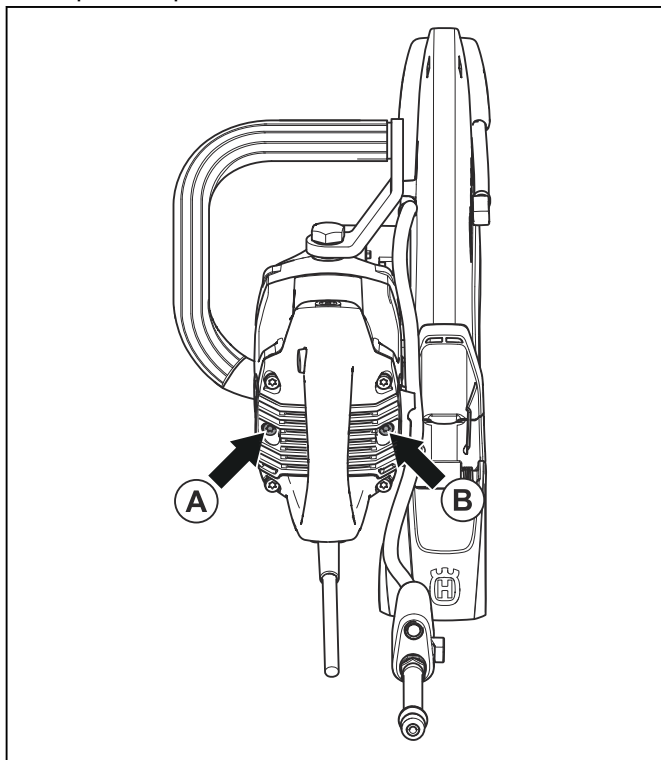
4. Nettoyez-les si nécessaire.



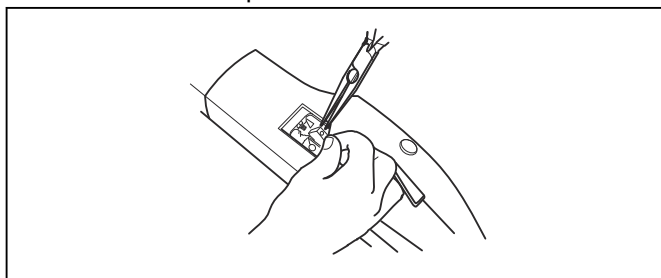
Remplacement des balais de carbone

Remplacez les balais de carbone s'ils sont usés, fissurés ou endommagés de quelque façon que ce soit. Remplacez tous les balais de carbone en même temps.

1. Desserrez les deux vis (A) et (B) afin de retirer le capot d'inspection.



2. Retirez le câble qui maintient le balai de carbone.



3. Soulevez le ressort pour sortir le balai de carbone de son support.

4. Nettoyer les supports des balais avec un pinceau propre.
5. Soufflez doucement pour éliminer la poussière.
6. Installez les nouveaux balais de carbone et contrôlez en même temps qu'ils glissent facilement dans leurs supports.
7. Abaisser les ressorts et visser le câble.
8. Faites fonctionner les nouveaux balais de carbone au ralenti pendant environ 40 minutes.

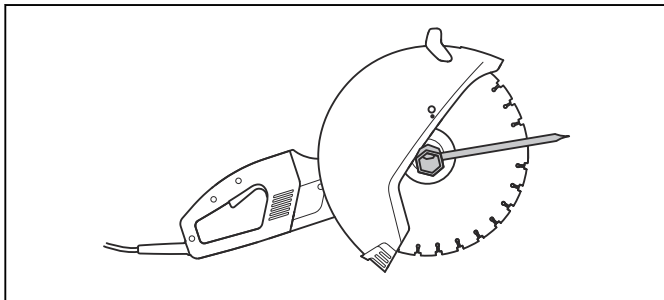
Remplissage de graisse de boîte de vitesse

Ne remplissez pas complètement le carter d'engrenage avec de la graisse. La graisse se dilate alors que la température du produit augmente pendant le fonctionnement. Si vous remplissez complètement le carter d'engrenage avec de la graisse, cela pourrait endommager les joints et provoquer une fuite de graisse.

Le carter d'embrayage doit contenir 90 g de graisse au total. Utilisez uniquement la graisse recommandée par Husqvarna.

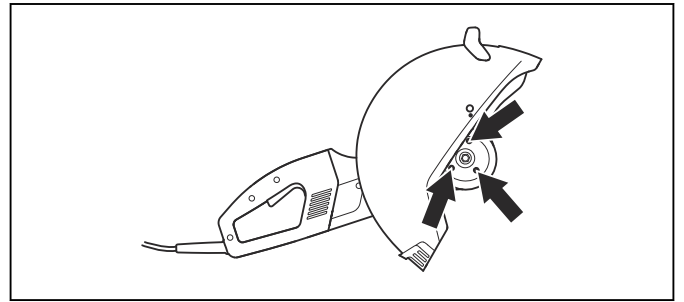
Vous devez démonter les pièces qui suivent pour remplacer la graisse dans le carter d'embrayage :

1. Démontez les rondelles d'accouplement qui maintiennent la lame de coupe.

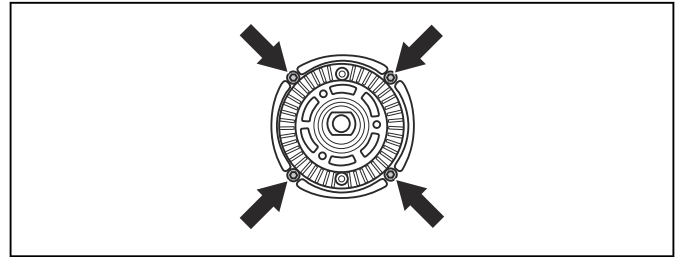


2. Désassemblez la bague d'étanchéité.

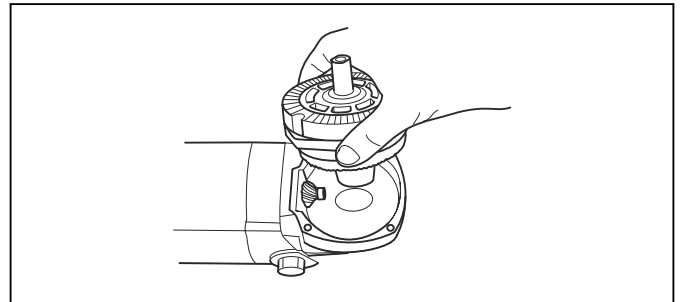
3. Désassemblez la bride de support de la protection.



4. Désassemblez le protège-lame.
5. Déposez les quatre vis qui maintiennent la protection.



6. Soulever ensuite le bouclier avec l'unité de la roue de couronne hors du carter d'engrenage.



7. Essuyez la graisse et remplissez le carter d'engrenage avec de la graisse neuve de bonne qualité.

TRANSPORT, REMISAGE ET MISE AU REBUT

Transport

Transport du produit

- Sécurisez le produit lors du transport afin d'éviter tout dommage ou accident.

Transport des lames de coupe

- Ne transportez pas la découpeuse avec la lame de coupe montée. Retirez toutes les lames de coupe de la découpeuse après son utilisation.
- Vérifiez que les lames neuves n'ont pas été endommagées pendant le transport.

Remisage

Remisage du produit

- Entrez le produit dans un endroit verrouillable, de façon à ce qu'il soit inaccessible aux enfants et aux personnes non autorisées.

Remisage des lames de coupe

- Ne remisez pas la découpeuse avec la lame de coupe montée. Retirez toutes les lames de coupe de la découpeuse après son utilisation et remisez-les avec soin.
- Remisez les lames de coupe dans un endroit sec et à l'abri du gel. Prenez des précautions particulières pour les lames abrasives. Les lames abrasives doivent être remisées sur une surface plane. Une lame abrasive conservée dans un endroit humide

risque d'être déséquilibrée et de provoquer des accidents.

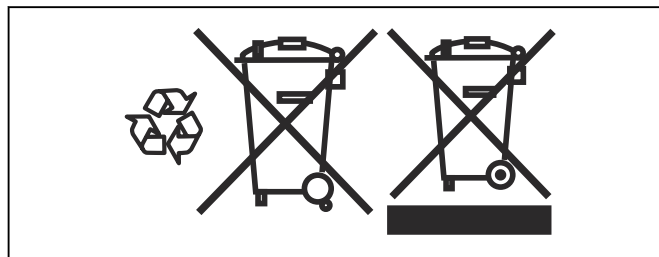
- Avant toute utilisation, vérifiez si les lames neuves n'ont pas été endommagées pendant le remisage.

Mise au rebut

Les symboles figurant sur le produit ou son emballage indiquent que ce produit ne peut pas être traité comme un déchet domestique ordinaire. Il doit être déposé dans un site de recyclage prévu pour la récupération d'équipements électriques et électroniques.

En prenant soin correctement de ce produit, vous contribuez à compenser l'éventuel effet négatif sur l'environnement et les personnes, qui autrement pourrait

être engendré par la mauvaise gestion de la mise au rebut du produit. Pour obtenir de plus amples informations sur le recyclage de ce produit, contactez votre municipalité, votre service des ordures ménagères ou le magasin où vous avez acheté ce produit.



CARACTÉRISTIQUES TECHNIQUES

Caractéristiques techniques

K 4000		
Classe de protection		I
Régime maxi. recommandé de l'axe sortant, tr/min	120 V, 60 Hz	3 400
	230 V, 50 Hz	3 600
Tension nominale, V		
Europe		230
Royaume-Uni et Irlande		110
États-Unis/Canada/Japon		100-120
Australie		230
Puissance nominale, W		
Europe	230 V, 50 Hz	2 700/12 A
Royaume-Uni et Irlande	110 V, 50 Hz	2 200/20 A
États-Unis/Canada/Japon	100-120 V, 50-60 Hz	15 A
Australie	230 V, 50 Hz	2 300/10 A
Poids		
Machine sans disjoncteur différentiel de fuite à la terre de câble, sans lame ni accessoire d'aspiration, en kg (livres)		7,6 (16,7)
Refroidissement par eau		
Refroidissement par eau de la lame		Oui
Embout de raccordement		Type "Gardena"
Pression d'eau recommandée, en bar (PSI)		0,5-8 (7,3-116)
Émissions sonores (voir remarque 1)		
Niveau de puissance sonore mesuré dB(A)		104
Niveau de puissance acoustique, garanti L _W dB(A)		105
Niveaux sonores (voir remarque 2)		

K 4000	
Niveau de pression sonore équivalent au niveau de l'oreille de l'utilisateur, en dB (A)	95
Niveaux de vibrations équivalents, a_{hveq} (voir remarque 3)	
Poignée avant, m/s^2	3,5
Poignée arrière, m/s^2	3,5
<p>Remarque 1 : émissions sonores dans l'environnement mesurées comme puissance acoustique (LWA) selon la directive 2000/14/EC. Le niveau de puissance sonore garanti diffère du niveau mesuré en cela qu'il prend également en compte la dispersion et les variations d'un produit à l'autre du même modèle, conformément à la directive 2000/14/EC.</p> <p>Remarque 2 : le niveau de pression sonore équivalent, selon la norme EN ISO 19432, correspond à la somme d'énergie pondérée en fonction du temps pour divers niveaux de pression sonore à différents régimes. Les données reportées pour le niveau de pression sonore équivalent pour le produit montrent une dispersion statistique typique (déviatoin standard) de 1 dB (A).</p> <p>Remarque 3 : le niveau de vibrations équivalent, selon la norme EN ISO 19432, correspond à la somme d'énergie pondérée pour les niveaux de vibrations à différents régimes. Les données reportées pour le niveau de vibrations équivalent montrent une dispersion statistique type (déviatoin standard) de 1 m/s^2.</p>	

Lame de coupe diamantée et abrasive recommandée

Lame de coupe, en mm (pouces)	350 (14)
Vitesse périphérique max., en m/s (pied/s)	100 (19600)
Vitesse max. lame, tr/min	3900
Profondeur de coupe maximale, mm (pouces)	125 (4 59/64)
Profondeur de coupe maximale avec accessoire d'aspiration, mm (pouces)	119 (4 11/16)



REMARQUE: Les recommandations ci-dessous s'appliquent à la section de câble minimale relative à la rallonge maximale. Suivez les recommandations pour éviter une diminution des performances et d'endommager le produit.

Zone de câble	1,5 mm ²	2,5 mm ²
Tension d'entrée 100-120 V	20 m	40 m
Tension d'entrée 220-240 V	30 m	50 m

DÉCLARATION DE CONFORMITÉ CE

Déclaration de conformité CE

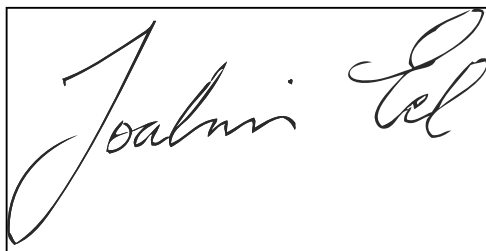
(Concerne seulement l'Europe)

Husqvarna AB, SE-561 82 Huskvarna, Suède, tél. : +46-36-146500, déclarons, sous notre seule responsabilité, que la découpeuse **Husqvarna K 4000** à partir des numéros de série de l'année de fabrication 2018 et ultérieurement (l'année est clairement indiquée sur la plaque d'identification et suivie d'un numéro de série), est conforme aux dispositions de la DIRECTIVE DU CONSEIL :

- du 17 mai 2006 « Machines », **2006/42/EC**.
- du 26 février 2014 « Compatibilité électromagnétique » **2014/30/EU**.
- du 8 juin 2011 « Limitation de l'utilisation de certaines substances dangereuses » **2011/65/EU**.

Les normes harmonisées suivantes ont été appliquées : **EN ISO 12100:2010, EN 55014-1:2006+A1:2009+A2:2011, EN 55014-2:1997+A1:2001+A2:2008, EN 61000-3-2:2014, EN 61000-3-3:2013, EN 60745-1:2009, EN 60745-2-22:2011+A11:2013.**

Partille, 1 January 2018



Joakim Ed

Directeur général R&D

Équipements de construction Husqvarna AB

(Représentant autorisé Husqvarna AB et responsable de la documentation technique.)

Inhoud

INLEIDING.....	51	ONDERHOUD.....	70
VEILIGHEID.....	53	TRANSPORT, OPSLAG EN VERWERKING.....	73
MONTEREN.....	59	TECHNISCHE GEGEVENS.....	73
BEDIENING.....	64	EG-CONFORMITEITSVERKLARING.....	75

INLEIDING

Verantwoordelijkheid van de eigenaar

Het is de verantwoordelijkheid van de eigenaar/gebruiker om ervoor te zorgen dat de gebruiker voldoende weet over een veilig gebruik van het product. Leidinggevenden en gebruikers moeten de gebruiksaanwijzing hebben gelezen en begrepen. Ze moeten op de hoogte zijn van:

- De veiligheidsinstructies voor het product.
- De mogelijke toepassingen en de beperkingen van het product.
- De manier waarop het product moet worden gebruikt en onderhouden.

Mogelijk zijn er nationale wettelijke voorschriften van toepassing op het gebruik van dit product. Onderzoek welke wetgeving van toepassing is op de plaats waar u werkt voordat u het product in gebruik neemt.

Productbeschrijving

K 4000 is een supersnelle draagbare doorslijpmachine, ontworpen voor het snijden van harde materialen zoals metselwerk of staal. Dit product mag niet worden gebruikt voor doeleinden die niet in deze handleiding worden beschreven. Voor een veilige werking van dit product moet de gebruiker deze handleiding zorgvuldig doorlezen. Vraag uw dealer of Husqvarna als u meer informatie nodig hebt.

Constructie en functies

Kenmerken

K 4000 is vervaardigd met behulp van innovatieve technologie voor hoge prestaties en betrouwbaarheid,

biedt geavanceerde technische oplossingen en houdt rekening met milieuoverwegingen.

Hieronder worden enkele unieke kenmerken van K 4000 beschreven.

Elgard™

Elgard™ is een elektronische overbelastingsbeveiliging voor het beschermen van de motor. Deze beveiliging beschermt de machine en verlengt de levensduur. Elgard™ zorgt ervoor dat de machine aangeeft wanneer de maximale belasting bijna is bereikt.

Softstart™

Softstart™ is een elektronische stroombegrenzer die zorgt voor een gelijkmatige start.

Vac-hulpstuk (niet meegeleverd)

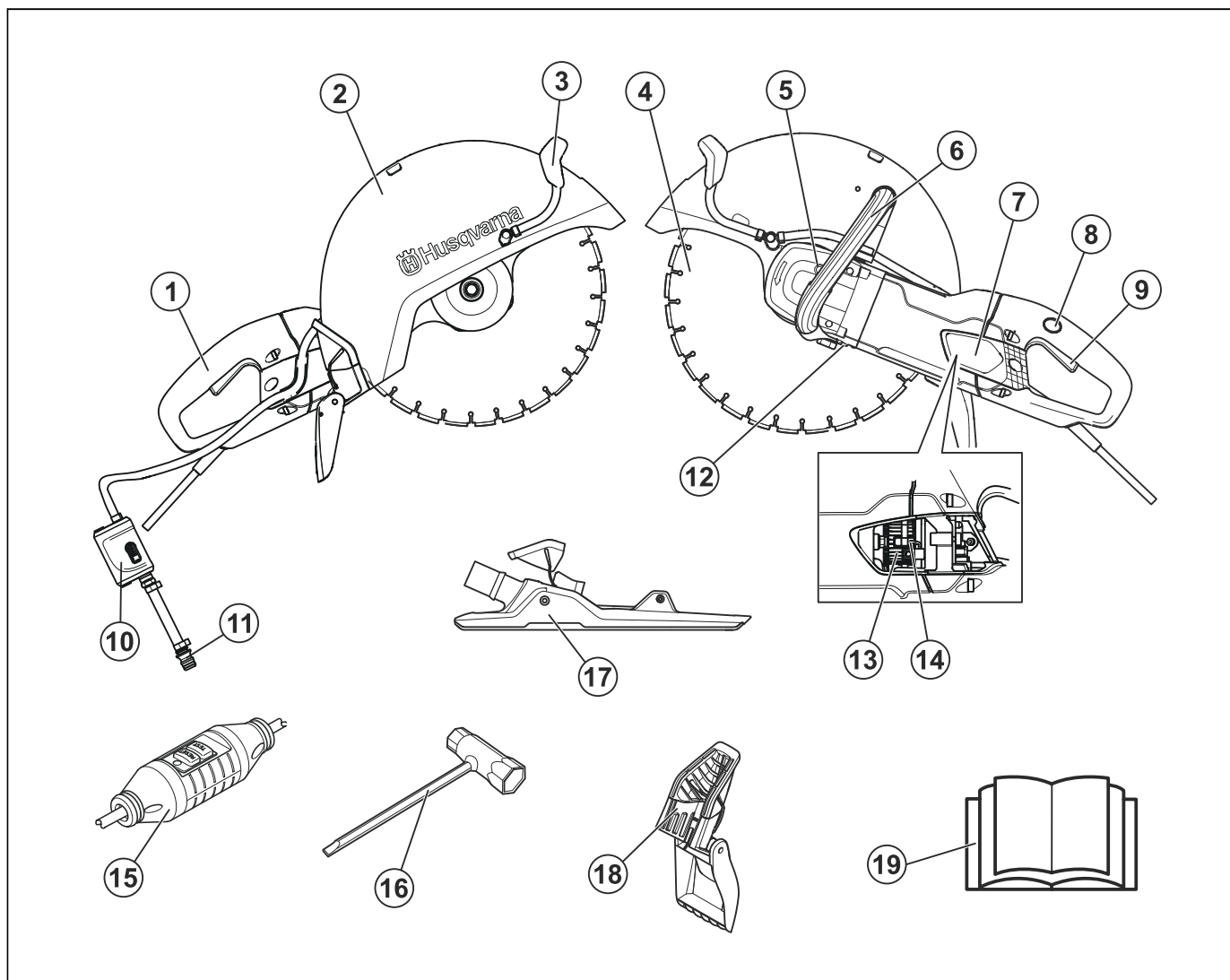
Het Vac-hulpstuk kan eenvoudig op de machine worden bevestigd en op de stofzuiger/stofvanger worden aangesloten voor effectief stofbeheer bij droogzagen.

Gebruik

Dit product is ontworpen voor het snijden van tegels en natuursteen. Elk ander gebruik is incorrect.

Het product is bestemd voor gebruik in industriële toepassingen door ervaren gebruikers.

Productoverzicht



1. Achterste handvat
2. Bladbeschermkap
3. Waterset
4. Zaagblad (niet meegeleverd)
5. Asborging
6. Voorste handgreep
7. Inspectiedeksel
8. Schakelaarvergrendeling
9. Aan-/uitschakelaar
10. Waterkraan met debietbegrenzer
11. Wateraansluiting
12. Productplaatje
13. Borstelhouders
14. Koolborstels
15. Aardlekschakelaar (niet voor Groot-Brittannië en Ierland)
16. Combisleutel
17. Vac-hulpstuk (accessoire, niet meegeleverd)
18. Spatbescherming
19. Gebruikershandleiding

Symbolen op het product



WAARSCHUWING! Het product kan bij onjuist of onachtzaam gebruik een gevaarlijk gereedschap zijn dat ernstig of zelfs dodelijk letsel aan de gebruiker of anderen kan toebrengen.



Lees de gebruikershandleiding zorgvuldig door en zorg dat u de instructies hebt begrepen voordat u het product gebruikt.



Draag altijd persoonlijke beschermingsuitrusting. Zie *Persoonlijke beschermingsuitrusting op pagina 57* voor instructies.



Dit product voldoet aan de geldende EG-richtlijnen.



WAARSCHUWING! Bij het frezen komt stof vrij, dat schadelijk kan zijn bij inademing. Gebruik een goedgekeurd stofmasker. Vermijd het inademen van uitlaatgassen. Zorg voor voldoende ventilatie.



WAARSCHUWING! Vonken van het zaagblad kunnen brand veroorzaken in brandbare materialen, zoals brandstof, hout, kleding, droog gras etc.



WAARSCHUWING! Een terugslag kan plotseling, snel en krachtig zijn en kan levensbedreigend letsel veroorzaken. Lees de gebruiksaanwijzing aandachtig door en gebruik het product niet voordat u de instructies goed hebt begrepen.



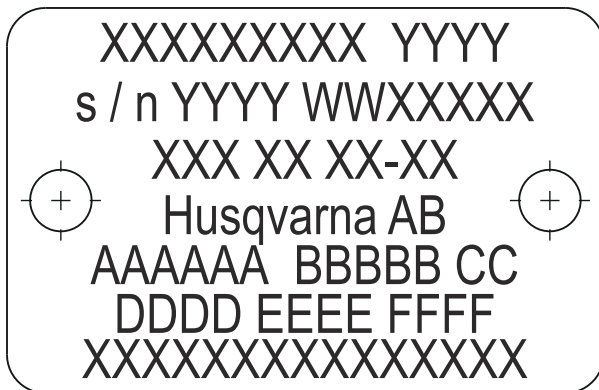
WAARSCHUWING! Zorg ervoor dat de slijpschijven vrij van barsten en andere beschadigingen zijn.



WAARSCHUWING! Gebruik geen zaagbladen bestemd voor cirkelzagen.

Let op: Overige op de machine aangegeven symbolen/ plaatjes verwijzen naar specifieke eisen aan certificering voor bepaalde markten.

Typeplaatje



Rij 1: Merk, model (X, Y)

Rij 2: Serienr. met productiedatum (Y, W, X): Jaar, week, volgnr.

Rij 3: Product-nr. (X)

Rij 4: Fabrikant

Rij 5: A: Max. toerental van uitgaande as, B: Diameter zaagblad, C: Diameter mesbout

Rij 6: D: Ingangsspanning, E: Ingangsstroom, F: Ingangsfrequentie

Rij 7: Land van herkomst

Productaansprakelijkheid

Zoals uiteengezet in de wet voor productaansprakelijkheid zijn wij niet aansprakelijk voor schade die door ons product wordt veroorzaakt, indien:

- het product niet goed is gerepareerd.
- het product is gerepareerd met onderdelen die niet van de fabrikant afkomstig zijn, of onderdelen die niet zijn goedgekeurd door de fabrikant.
- het product een accessoire bevat die niet afkomstig is van de fabrikant of niet is goedgekeurd door de fabrikant.
- het product niet is gerepareerd door een erkend servicepunt of door een erkende autoriteit.

VEILIGHEID

Veiligheidsdefinities

Waarschuwingen, voorzorgsmaatregelen en opmerkingen worden gebruikt om te wijzen op belangrijke delen van de gebruikershandleiding.



WAARSCHUWING: Wordt gebruikt om te wijzen op de kans op ernstig of fataal letsel voor de gebruiker of omstanders wanneer

de instructies in de handleiding niet worden gevolgd.



OPGELET: Wordt gebruikt indien er een risico bestaat op schade aan het product en/of het hulpstuk, andere materialen of aan de omgeving wanneer de instructies in de handleiding niet worden gevolgd.

Let op: Geven verdere informatie die nodig is in een bepaalde situatie.

Algemene veiligheidsinstructies

Het is niet mogelijk om elke mogelijke situatie te vermelden. Wees altijd voorzichtig en gebruik uw gezond verstand. Wanneer u in een situatie belandt waarin u niet goed weet hoe u verder te werk moet gaan, moet u een expert raadplegen. Wend u tot uw dealer, uw servicewerkplaats of een ervaren gebruiker. Vermijd gebruik waarvan u vindt dat u niet voldoende gekwalificeerd bent!

Let op: Bewaar alle waarschuwingen en instructies voor later gebruik.



WAARSCHUWING: Lees alle veiligheidswaarschuwingen en alle instructies.



WAARSCHUWING: Gebruik het product nooit als de veiligheidsonderdelen defect zijn! Als uw product niet door alle controles komt, neem dan contact op met uw servicewerkplaats voor reparatie.



WAARSCHUWING: Lees de gebruikershandleiding zorgvuldig door en zorg dat u de instructies hebt begrepen voordat u het product gebruikt. Wij adviseren om toekomstige gebruikers praktijklessen te geven voordat zij het product gaan gebruiken.



WAARSCHUWING: Denk erom dat het uw verantwoordelijkheid als gebruiker is om mensen en hun eigendommen niet bloot te stellen aan ongelukken of gevaar.



WAARSCHUWING: Het product moet schoon worden gehouden. Aanduidingen en stickers moeten volledig leesbaar zijn.



WAARSCHUWING: Het product kan bij onjuist of onachtzaam gebruik een gevaarlijk gereedschap zijn dat ernstig of zelfs dodelijk letsel aan de gebruiker of anderen kan toebrengen.



WAARSCHUWING: Laat de machine nooit gebruiken door kinderen of andere personen die niet zijn opgeleid voor het gebruik van of onderhoud aan het product.



WAARSCHUWING: Dit product mag niet worden gebruikt door personen (inclusief kinderen) met een lichamelijke, zintuiglijke of geestelijke beperking of gebrek aan ervaring en kennis.



WAARSCHUWING: Laat nooit iemand anders het product gebruiken zonder dat u zeker weet dat hij of zij de gebruikershandleiding heeft gelezen en begrepen.



WAARSCHUWING: Gebruik het product nooit wanneer u vermoeid bent, alcohol of drugs hebt gebruikt, of als u medicijnen gebruikt die uw gezichtsvermogen, beoordelingsvermogen of coördinatie kunnen beïnvloeden.



WAARSCHUWING: Ongeautoriseerde wijzigingen en/of accessoires kunnen ernstig of dodelijk letsel aan de gebruiker of anderen toebrengen. De oorspronkelijke vormgeving van het product mag in geen enkel geval worden gewijzigd zonder toestemming van de fabrikant.



WAARSCHUWING: Wijzig deze machine nooit zo dat hij niet langer overeenstemt met de originele uitvoering, en gebruik de machine niet als u denkt dat anderen hem hebben gewijzigd.



WAARSCHUWING: Gebruik nooit een machine die defect is. Voer de in deze handleiding beschreven veiligheidscontroles en de onderhouds- en service-instructies uit. Bepaalde onderhouds- en servicemaatregelen moeten door opgeleide en gekwalificeerde specialisten worden uitgevoerd. Zie *ONDERHOUD op pagina 70* voor instructies.



WAARSCHUWING: Men moet altijd originele onderdelen gebruiken.



WAARSCHUWING: Dit product produceert tijdens bedrijf een elektromagnetisch veld. Dit veld kan onder bepaalde omstandigheden de werking van actieve of passieve medische implantaten verstoren. Om het risico op ernstig of fataal letsel te beperken, raden we personen met een medisch implantaat aan om contact op te nemen met hun arts en de fabrikant van het

medische implantaat voordat ze dit product gaan bedienen.

Veiligheidsinstructies voor montage



WAARSCHUWING: Lees de volgende waarschuwingen aandachtig door voordat u het product gaat gebruiken.



WAARSCHUWING: Gebruik een zaagblad nooit voor ander materiaal dan waarvoor hij is bedoeld.



WAARSCHUWING: Gebruik een diamantzaagblad nooit voor het zagen van kunststoffen. Door de warmte die tijdens het zagen wordt gegenereerd, kan het kunststof gaan smelten en aan het zaagblad blijven plakken en terugslag veroorzaken.



WAARSCHUWING: Diamantzaagbladen worden zeer heet tijdens het gebruik. Een oververhit zaagblad is het gevolg van een onjuist gebruik en kan vervorming van de schijf veroorzaken, wat weer kan leiden tot schade en letsel.



WAARSCHUWING: Een zaagblad kan kapot gaan en ernstig persoonlijk letsel bij de gebruiker veroorzaken.



WAARSCHUWING: De fabrikant van het zaagblad verstrekt waarschuwingen en aanbevelingen voor correct gebruik en onderhoud van het zaagblad. Deze waarschuwingen worden bij de zaagbladen geleverd. Lees en volg alle instructies van de fabrikant van het zaagblad.



WAARSCHUWING: Het zaagblad moet worden gecontroleerd voordat deze op het product wordt gemonteerd en vervolgens regelmatig tijdens gebruik. Let op barsten, ontbrekende segmenten (diamantzaagbladen) of afgebroken onderdelen. Gebruik nooit een beschadigd zaagblad.



WAARSCHUWING: Test de integriteit van elke nieuw zaagblad door deze bij maximum toerental gedurende ongeveer 1 minuut te laten draaien.



WAARSCHUWING: Gebruik nooit een zaagblad met een lagere toerental aanduiding dan die van de

doorslijpmachine. Gebruik uitsluitend zaagbladen die zijn bedoeld voor draagbare doorslijpmachines met hoge toerentallen.



WAARSCHUWING: Gebruik droogzaagbladen niet in combinatie met water. De sterkte van droogzaagbladen neemt af als ze worden blootgesteld aan vocht, waardoor het risico op breken groter wordt.



WAARSCHUWING: Gebruik alleen bladen die voldoen aan nationale en regionale standaarden/regelgeving, bijvoorbeeld EN 13236, EN 12413 of ANSI B7.1.



WAARSCHUWING: Bij slijpen in metaal komen vonken vrij die brand kunnen veroorzaken. Gebruik de machine niet in de buurt van ontvlambare stoffen of gassen.



WAARSCHUWING: Het is niet toegestaan om metaal te zagen met het Vac-hulpstuk.



WAARSCHUWING: Gebruik nooit getande bladen of schijven bedoeld voor het zagen van hout, cirkelvormige getande bladen, hardmetalen bladen, etc. Dit vergroot de kans op terugslag en het afbreken van tanden bij hoge toerentallen. Achteloosheid kan resulteren in ernstig of zelfs dodelijk persoonlijk letsel.



WAARSCHUWING: Overheidsvoorschriften vereisen een ander type beschermkap voor hardmetalen zaagbladen dan het type waarmee doorslijpmachines zijn uitgerust – een zogenaamde 360-gradenbeschermkap. Doorslijpmachines (waaronder deze zaag) maken gebruik van diamantzaagbladen en hebben een ander beschermstelsel. Dit systeem biedt geen bescherming tegen de gevaren die gerelateerd zijn aan het gebruik van houtzaagbladen.

Let op: Slijpen met een droogslijpschijf is niet toegestaan met het Vac-hulpstuk. Het gebruik van droogslijpschijven veroorzaakt onnatuurlijke slijtage op het Vac-hulpstuk.

Veiligheidsinstructies voor bediening

Veiligheid van het werkgebied



WAARSCHUWING: De veiligheidsafstand voor de doorslijpmachine bedraagt 15 meter. U bent verantwoordelijk dat er geen dieren en toeschouwers binnen het werkterrein zijn. Begin niet te zagen voor het werkterrein vrij is en u veilig staat.

- Zorg ervoor dat de werkplek schoon en goed verlicht is.
- Gebruik elektrisch gereedschap niet in een omgeving waar ontploffingsgevaar bestaat, zoals in de buurt van brandbare vloeistoffen, gassen of stof.
- Houd kinderen en omstanders op afstand wanneer u elektrisch gereedschap gebruikt.
- Houd uw omgeving in de gaten om ervoor te zorgen dat u niet de controle over het product kunt verliezen.
- Zorg ervoor dat mensen of voorwerpen niet met de doorslijpmachine in contact kunnen komen, of geraakt kunnen worden door delen die door de schijf worden gelanceerd.
- Gebruik het product nooit bij ongunstige weersomstandigheden, bijv. bij mist, regen, bij harde wind, hevige koude, etc. Het gebruik bij ongunstige weersomstandigheden is vermoeiend en kan tot gevaarlijke situaties leiden, bijvoorbeeld gladde oppervlakken.
- Begin nooit met het product te werken voordat de werkplek ontruimd is en u stevig staat. Kijk of er eventuele obstakels zijn wanneer een onverwachte verplaatsing optreedt.
- Verzeker u ervan dat er geen materiaal naar beneden kan vallen en verwondingen kan veroorzaken terwijl u met het product werkt. Wees extra voorzichtig wanneer u op hellend terrein werkt.
- Verzeker u ervan dat het werkterrein voldoende verlicht is om een veilige werkomgeving te creëren.
- Verzeker u ervan dat zich op de werkplek of in het te frezen materiaal geen leidingen of elektrische kabels bevinden.
- Als u in een houder slijpt (vat, buis, of andere container) moet u eerst controleren of deze geen brandbare of andere vluchtige stoffen bevat.

Elektrische veiligheid



WAARSCHUWING: Het product (Groot-Brittannië en Ierland 110V) is niet uitgerust met een aardlekbeveiliging. De machine moet altijd worden gebruikt met een scheidingstransformator om bescherming te bieden ingeval er elektrisch defect optreedt.



WAARSCHUWING: Reinig de machine niet met water, want water kan binnendringen in het elektrische systeem of de motor en kan schade of kortsluitingen in de machine veroorzaken.

- **Elektrisch gereedschap moet geschikt zijn voor het betreffende stopcontact. Wijzig nooit de stekker. Gebruik nooit een adapterstekker in combinatie met geaarde elektrische gereedschappen.** Ongewijzigde stekkers en passende stopcontacten beperken het risico op elektrische schokken.
- **Vermijd lichamelijk contact met geaarde oppervlakken, zoals buizen, radiatoren, fornuizen en koelkasten.** Er is een verhoogd risico op elektrische schokken als uw lichaam geaard is.
- **Stel het elektrisch gereedschap niet bloot aan regen of vochtige omstandigheden.** Water dat in elektrisch gereedschap binnendringt, verhoogt het risico op elektrische schokken.
- **Gebruik het snoer niet voor oneigenlijke doeleinden. Gebruik het snoer nooit om het elektrische apparaat aan te dragen, te trekken of om de stekker uit het stopcontact te trekken. Houd het snoer uit de buurt van warmte, olie, scherpe randen of bewegende onderdelen.** Beschadigde of in de knoop geraakte snoeren verhogen het risico op elektrische schokken.
- **Gebruik een verlengsnoer dat geschikt is voor gebruik buitenshuis wanneer u buiten werkt met elektrisch gereedschap.** Het gebruik van een snoer dat geschikt is voor gebruik buitenshuis vermindert het risico op elektrische schokken.
- **Als gebruik van een elektrisch apparaat in een vochtige omgeving onvermijdelijk is, gebruik dan een apparaat met reststroombescherming (RCD). Gebruik van een RCD vermindert het risico op elektrische schokken.**
- Controleer of de kabel en het verlengsnoer heel en in goede staat zijn. Gebruik de machine niet als de kabel is beschadigd, maar breng deze voor reparatie naar een erkende servicewerkplaats.
- Gebruik geen opgerolde verlengsnoeren of -kabels. De kabels kunnen oververhit raken.
- Let erop dat u bij gebruik van een verlengkabel uitsluitend goedgekeurde verlengkabels met voldoende lengte gebruikt. Voor meer informatie zie hoofdstuk *Technische gegevens op pagina 73*. Een ondergedimensioneerde kabel betekent een risico op verminderde machinecapaciteit en oververhitting.
- De machine dient te worden aangesloten op een geaard stopcontact. Controleer of de netspanning overeenkomt met de spanning die is aangegeven op het typeplaatje op de machine.
- Let op dat u de kabel achter u houdt als u de machine gebruikt, zodat de kabel niet beschadigd kan raken.

Persoonlijke veiligheid

- **Wees altijd alert, kijk wat u doet en gebruik uw gezonde verstand wanneer u elektrisch gereedschap gebruikt. Gebruik elektrisch gereedschap niet als u moe bent of onder invloed bent van drugs, alcohol of medicijnen..** Een moment van onoplettendheid tijdens het gebruik van elektrische apparaat kan leiden tot ernstig persoonlijk letsel.
- **Maak altijd gebruik van persoonlijke beschermingsmiddelen. Draag altijd oogbescherming.** Persoonlijke beschermingsmiddelen zoals een stofmasker, veiligheidsschoenen met antislipprofiel, een veiligheidshelm of gehoorbescherming zullen in relevante werkomstandigheden letsel beperken.
- Vermijd onopzettelijk starten of inschakelen. Verifieer of de aan-/uitschakelaar in de OFF-stand staat voordat u de stekker in het stopcontact steekt.
- **Voorkom een onbedoelde start. Zorg ervoor dat de aan-/uitschakelaar in de OFF-stand staat voordat u het gereedschap aansluit op een spanningsbron en/of accu, oppakt of draagt.** Het dragen van elektrisch gereedschap met de vinger op de schakelaar of het aansluiten van elektrisch gereedschap terwijl de schakelaar is ingeschakeld, kan leiden tot ongelukken.
- **Verwijder eventuele (instel)sleutels voordat u het elektrisch gereedschap inschakelt.** Een sleutel die is bevestigd aan een draaiend onderdeel van het elektrische gereedschap kan persoonlijk letsel tot gevolg hebben.
- **Voorkom overstrekken. Zorg dat u te allen tijde stevig en in balans staat.** Hierdoor heeft u een betere controle over het apparaat in onverwachte situaties.
- **Draag geschikte kleding. Draag geen losse kleding of sieraden. Houd uw haar, kleding en handschoenen uit de buurt van bewegende onderdelen.** Losse kleding, sieraden of lang haar kunnen verstrikt raken in bewegende onderdelen.
- **Als de mogelijkheid bestaat voor het opvangen van stof moet u ervoor zorgen dat deze is aangesloten en op de juiste wijze wordt gebruikt.** Het gebruik van stofopvang kan stofgerelateerde gevaren beperken.
- Blijf op afstand van de slijpschijven wanneer de motor draait.
- Als men teveel wordt blootgesteld aan trillingen, kan dit tot bloedvat- en zenuwbeschadigingen leiden bij personen die een slechte bloedcirculatie hebben. Consulteer uw dokter wanneer u symptomen heeft die wijzen op te grote blootstelling aan trillingen. Voorbeelden van zulke symptomen zijn slapen, geen gevoel, "kriebels", "speldeprikken", pijn, geen of minder kracht, huidverkleuringen of veranderingen van het huidoppervlak. Deze symptomen komen meestal voor op vingers, handen of polsen. Deze symptomen kunnen toenemen bij koude temperaturen.

Persoonlijke beschermingsuitrusting



WAARSCHUWING: Het gebruik van producten zoals snijgereedschap, slijppapparaten en boren om materiaal te schuren of te vormen, kan stof en dampen veroorzaken die gevaarlijke chemicaliën kunnen bevatten. Controleer de aard van het materiaal dat u wilt bewerken en draag een geschikt ademmasker.



WAARSCHUWING: Gebruik altijd goedgekeurde gehoorbescherming. Langdurige blootstelling aan lawaai kan leiden tot permanente gehoorbeschadiging. Let op waarschuwingssignalen of geroep wanneer u gehoorbescherming draagt. Doe de gehoorbescherming altijd af zodra de motor is gestopt.



WAARSCHUWING: Er is altijd een risico van letsel door beknelling tijdens het werken met producten die bewegende delen bevatten. Draag beschermende handschoenen om letsel aan uw handen te voorkomen.



WAARSCHUWING: Tijdens het werken met het product kunnen vonken ontstaan die brand veroorzaken. Houd daarom altijd brandblusapparatuur bij de hand.

Bij gebruik van het product moet u altijd goedgekeurde persoonlijke beschermingsmiddelen gebruiken. Een persoonlijke beschermingsuitrusting elimineert de risico's niet, maar vermindert de ernst van het letsel als er toch een ongeluk gebeurt. Vraag uw dealer om raad bij de aanschaf van de juiste veiligheidsuitrusting.

Draag altijd:

- Goedgekeurde veiligheidshelm.
- Gehoorbescherming.
- Goedgekeurde oogbescherming. Wanneer u gezichtsbescherming gebruikt, moet u ook een goedgekeurde veiligheidsbril gebruiken. Met een goedgekeurde veiligheidsbril wordt een bril bedoeld die voldoet aan norm ANSI Z87.1 voor de VS en EN 166 voor de EU-landen. Een vizier moet voldoen aan norm EN 1731.
- Goedgekeurde ademhalingsbescherming.
- Veiligheidshandschoenen.
- Sterke, gripvaste handschoenen.
- Nauwsluitende, sterke en prettige kleding die volledige bewegingsvrijheid toelaat. Slijpen veroorzaakt vonken die kleding kunnen doen ontbranden. Husqvarna adviseert om kleding van brandvertragend katoen of jeansstof te dragen. Draag geen kleding die is vervaardigd van nylon, polyester, rayon of een vergelijkbaar materiaal. Bij

ontbranding kan dergelijk materiaal met de huid versmelten. Draag geen korte broek.

- Laarzen met stalen neus en anti-slip zool.

Zorg dat u altijd een EHBO-kit en brandblusmiddelen bij de hand hebt.

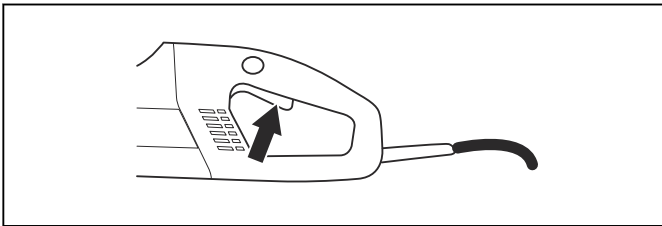
Veiligheidsvoorzieningen op het product



WAARSCHUWING: Lees de volgende waarschuwingen aandachtig door voordat u het product gaat gebruiken.

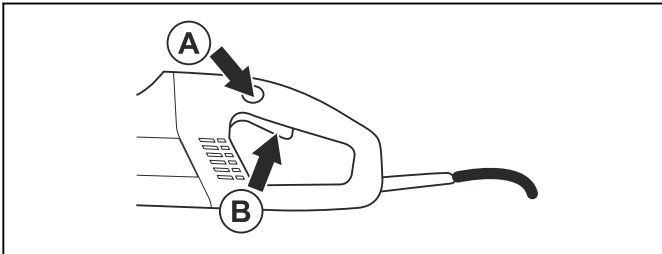
Aan-/uitschakelaar

Druk op de aan-/uitschakelaar om de doorslijpmachine te starten, en laat de schakelaar los om de machine te stoppen.



Schakelaarvergrendeling

De schakelaarvergrendeling voorkomt ongewenste activering van de schakelaar. Druk op de schakelaarvergrendeling (A) om de aan-/uitschakelaar vrij te zetten (B).

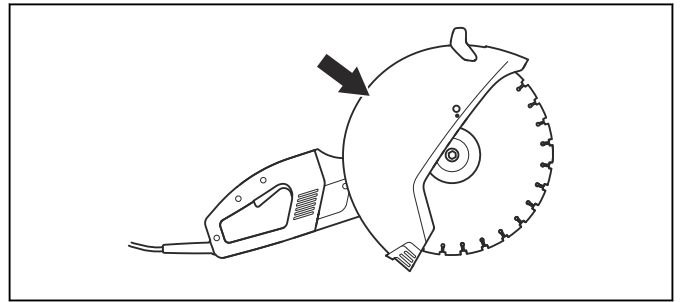


De schakelaarvergrendeling blijft vrij zolang u de aan-/uitschakelaar niet indrukt. Als het handvat wordt losgelaten, gaan schakelaar en -vergrendeling weer terug in de uitgangspositie. Dit gebeurt via twee onafhankelijk werkende retourveren. In deze stand stopt de machine en wordt de schakelaar vergrendeld.

Bladbeschermkap

Deze beveiliging zit boven de slijpschijf gemonteerd en is gemaakt om te voorkomen dat onderdelen van de

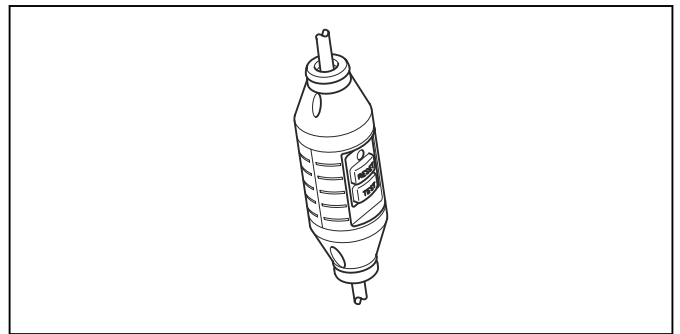
schijf of doorgeslepen materiaal tegen de gebruiker aan komen.



Aardlekschakelaar

Aardlekbeveiligingen bieden bescherming in geval van een elektrische storing.

De LED geeft aan dat de stroomkringonderbreker is ingeschakeld en dat het apparaat kan worden ingeschakeld. Als de LED niet brandt, druk dan op de RESET-knop (groen).



Veiligheidsinstructies voor onderhoud



WAARSCHUWING: De gebruiker mag alleen de onderhouds- en servicewerkzaamheden uitvoeren die in deze gebruikershandleiding zijn beschreven. Verdergaande werkzaamheden moeten door een erkende servicewerkplaats worden uitgevoerd.



WAARSCHUWING: Zorg dat de motor is uitgeschakeld en dat de stopschakelaar in de STOP-stand staat.



WAARSCHUWING: Draag altijd persoonlijke beschermingsuitrusting. Zie *Persoonlijke beschermingsuitrusting* op pagina 57.



WAARSCHUWING: De levensduur van het product wordt mogelijk bekort en het risico op ongevallen neemt toe wanneer het onderhoud van het product niet op de juiste manier plaatsvindt, en wanneer service en/of reparaties niet vakkundig worden uitgevoerd. Neem voor meer informatie

contact op met de dichtstbijzijnde servicewerkplaats.

servicewerkplaats en laat belangrijke aanpassingen en reparaties uitvoeren.



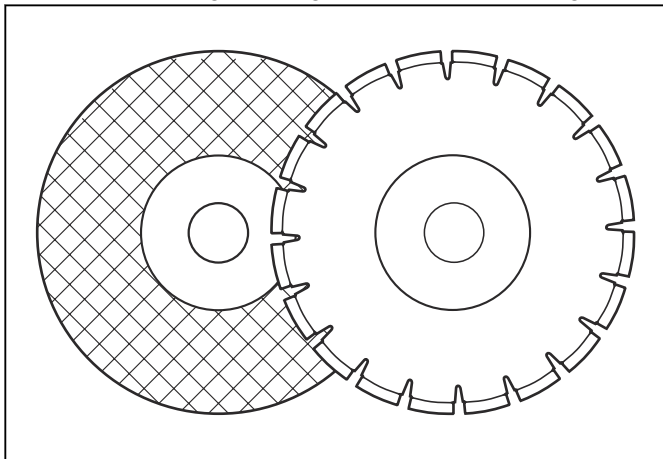
OPGELET: Laat het product regelmatig controleren door uw Husqvarna

MONTEREN

Slijpschijven

Husqvarna zaagbladen zijn schijven die voor gebruik met hoge toerentallen zijn goedgekeurd voor draagbare doorslijpmachines.

- Zaagbladen zijn verkrijgbaar in twee basisuitvoeringen: zaagbladen en diamantzagen.



- Zaagbladen van hoge kwaliteit zijn meestal de meest voordelige.
- Zaagbladen van mindere kwaliteit hebben vaak een slechter zaagvermogen en kortere levensduur, wat leidt tot hogere kosten in verhouding tot de hoeveelheid materiaal die is verwerkt.
- Let op dat u de juiste bus gebruikt om het zaagblad op de machine te monteren. Zie voor instructies *Het zaagblad monteren op pagina 63*.

Geschikte slijpschijven

Slijpschijven	K 4000	K 4000 with a Vac attachment
Zaagbladen	Ja*	Nee
Diamantzagen	Ja	Ja
Getande bladen	Nee	Nee

*Zonder water.

Voor meer informatie zie *Technische gegevens op pagina 73*.

Zaagbladen voor verschillende materialen



WAARSCHUWING: Gebruik een zaagblad nooit voor ander materiaal dan waarvoor hij is bedoeld.



WAARSCHUWING: Gebruik een diamantzaagblad nooit voor het zagen van kunststoffen. Door de warmte die tijdens het zagen wordt gegenereerd, kan het kunststof gaan smelten en aan het zaagblad blijven plakken en terugslag veroorzaken.



WAARSCHUWING: Bij slijpen in metaal komen vonken vrij die brand kunnen veroorzaken. Gebruik het product niet in de buurt van ontvlambare stoffen of gassen.



WAARSCHUWING: Het is niet toegestaan om metaal te zagen met het Vac-hulpstuk.

- Volg de meegeleverde instructies over de geschiktheid van de schijf voor diverse toepassingen. Neem in geval van twijfel contact op met uw dealer.

	Beton	Metaal	Kunststof	Gietijzer
zaagbladen*	X	X*	X	X
Diamantzagen	X	X**	---	X**

*Alleen zonder Vac-hulpstuk.

**Alleen speciale zaagbladen. Alleen zonder Vac-hulpstuk.

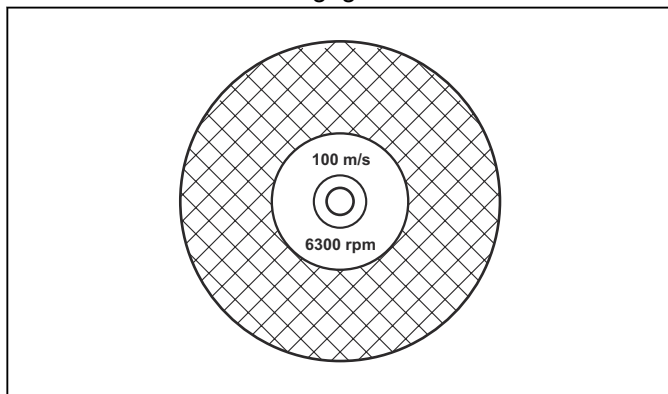
Zaagbladen voor draagbare doorslijpmachines met hoge toerentallen



WAARSCHUWING: Gebruik nooit een zaagblad met een lagere toerentalaanduiding dan die van de doorslijpmachine. Gebruik alleen zaagbladen die voldoen aan nationale en

regionale standaarden/regelgeving, bijvoorbeeld EN 13236, EN 12413 of ANSI B7.1.

- Veel zaagbladen die op deze machine passen zijn bedoeld voor stationaire zagen en hebben een lagere toerentalaanduiding dan die nodig is voor deze draagbare doorslijpmachine. Gebruik nooit zaagbladen met een lagere toerentalaanduiding in combinatie met deze doorslijpmachine.
- Husqvarna zaagbladen zijn gemaakt voor draagbare doorslijpmachines met hoge toerentallen.
- Het zaagblad moet gemerkt zijn met dezelfde of een hogere toerentalaanduiding dan op het typeplaatje van de machine is aangegeven.



Vibratie in de zaagbladen

- Het zaagblad kan zijn rondheid verliezen en trillen wanneer te veel invoerdruk wordt gebruikt.
- Een lagere invoerdruk kan het trillen opheffen. Vervang anders het zaagblad.

Zaagbladen



WAARSCHUWING: Gebruik droogzaagbladen niet in combinatie met water. De sterkte van droogzaagbladen neemt af als ze worden blootgesteld aan vocht, waardoor het risico op breken groter wordt.

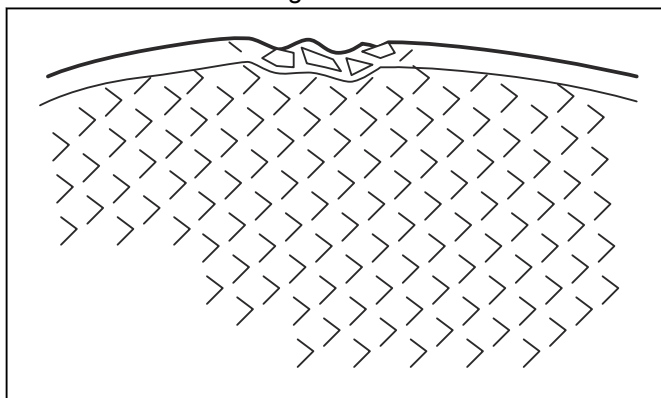


OPGELET: Bij gebruik van het Vac-hulpstuk is slijpen met een droogzaagblad niet toegestaan. Het gebruik van droogzaagbladen veroorzaakt overmatige slijtage van het Vac-hulpstuk.

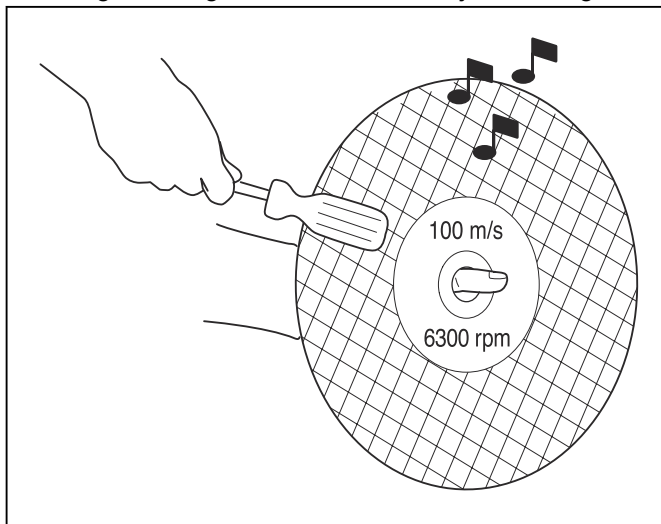
- Gebruik geen versleten, versterkte snijwielen van grotere elektrische gereedschappen. Snijwielen bedoeld voor grotere elektrische gereedschappen zijn niet geschikt voor de hogere toerentallen van kleiner elektrisch gereedschap, en kunnen barsten bij gebruik in combinatie daarmee.
- Het snijdende materiaal in droogzaagbladen bestaat uit schuurkorrels die met organische bindmiddelen zijn samengevoegd. "Versterkte zaagbladen" zijn opgebouwd op een textiel- en vezelbasis, waardoor voorkomen wordt dat deze schijven door scheuren of

beschadigingen bij een maximum toerental tijdens het werken volledig uit elkaar springen.

- De prestaties van een slijpschijf worden bepaald door het type en de grootte van de slijpdeeltjes, alsmede door het type en de hardheid van het bindmiddel.
- Controleer of het zaagblad niet gescheurd of anderszins beschadigd is.



- Test het zaagblad door deze aan een vinger te hangen en er zacht met een schroevendraaiersteel of iets dergelijks op te slaan. Wanneer de schijf geen vol, galmend geluid laat horen, is hij beschadigd.



- Zorg dat u het juiste zaagblad gebruikt op het beoogde materiaal.

Type blad	Materiaal
Beton	Beton, asfalt, metselwerk, gietijzer, aluminium, koper, messing, leidingen, rubber, plastic enz.
Metaal	Staal, staallegeringen en andere harde materialen.

Diamantzagen



WAARSCHUWING: Gebruik een diamantzaagblad nooit voor het zagen van kunststoffen. Door de warmte die tijdens het zagen wordt gegenereerd, kan het kunststof

gaan smelten en aan het zaagblad blijven plakken en terugslag veroorzaken.



WAARSCHUWING: Diamantzaagbladen worden zeer heet tijdens het gebruik. Een oververhit zaagblad is het gevolg van een onjuist gebruik en kan vervorming van de schijf veroorzaken, wat weer kan leiden tot schade en letsel.

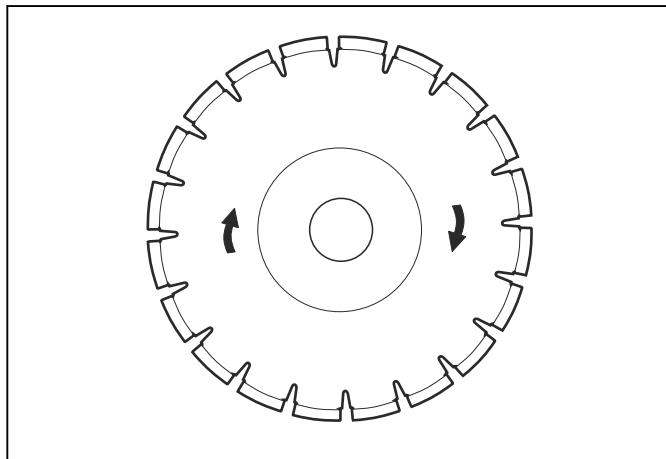


WAARSCHUWING: Bij slijpen in metaal komen vonken vrij die brand kunnen veroorzaken. Gebruik het product niet in de buurt van ontvlambare stoffen of gassen.

Let op: Diamantzaagbladen zijn verkrijgbaar in een aantal hardheidsgradaties.

Let op: Scherp het zaagblad door in zacht materiaal zoals zandsteen te zagen.

- Gebruik altijd een scherpe diamantzaag.
- Diamantzagen kunnen bot worden bij een verkeerde voedingsdruk of het zagen van bepaalde materialen, zoals zwaar gewapend beton. Werken met een bot diamantzaagblad leidt tot oververhitting, wat ertoe kan leiden dat diamantsegmenten losraken.
- Diamantzaagbladen hebben een stalen blad voorzien van segmenten die industriële diamanten bevatten.
- Diamantzagen bieden vooral voordelen bij metselwerk, gewapend beton en andere samengestelde materialen.
- Diamantzaagbladen zorgen voor lagere kosten per zaagoperatie, minder zaagbladvervangingen en een constante zaagdiepte.
- Voor het zagen van metaal moeten speciale zaagbladen worden gebruikt. Vraag uw leverancier om advies bij het kiezen van het juiste product.
- Let er bij het gebruik van een diamantzaag op dat deze in de richting van de pijl op het zaagblad draait.



Diamantzaagbladen voor droogzagen

- Diamantzaagbladen voor droogzagen zijn zowel met als zonder waterkoeling te gebruiken.
- Bij droogslijpen trekt u de schijf elke 30-60 seconden uit de zaagsnede en laat u hem 10 seconden in de lucht te laten draaien om af te koelen. Als u dat niet doet, zal het zaagblad oververhit raken.

Diamantzaagbladen voor natzagen

Let op: Gebruik bij nat snijden geen Vac-hulpstuk. Natte betonpap verlaagt de zuigcapaciteit van het Vac-hulpstuk aanzienlijk.

- Diamantzaagbladen voor natzagen moeten altijd met water worden gekoeld. Als geen water wordt gebruikt, kan het zaagblad oververhit raken.
- Water koelt het zaagblad en verlengt de levensduur ervan, terwijl het ook stofvorming vermindert.
- Waterkoeling, die wordt gebruikt bij het doorzagen van beton, koelt het zaagblad en vergroot de levensduur daarvan en vermindert stofvorming. Bij de nadelen kunnen we moeilijkheden bij zeer lage temperaturen, risico van beschadiging van vloeren en andere bouwelementen en risico van uitglijden noemen.

Diamantzaagblad - Zijdelingse speling

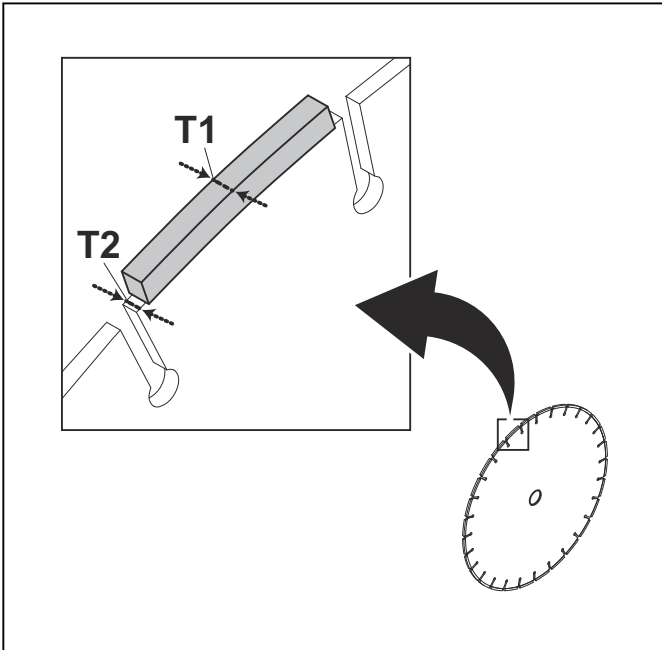


WAARSCHUWING: Controleer of het diamantsegment (T1) breder is dan de zaagbladkern (T2) om frictie in de zaagsleuf en terugslag te voorkomen.

Vervang het zaagblad voordat het volledig is versleten.



OPGELET: Bepaalde snijsituaties of bladen van slechte kwaliteit kunnen leiden tot overmatige slijtage aan de zijkant van de segmenten.



Sommige Husqvarna bladen zijn verkrijgbaar met slijtage-indicatoren voor de zijdelingse speling om de levensduur van het blad te helpen vaststellen.

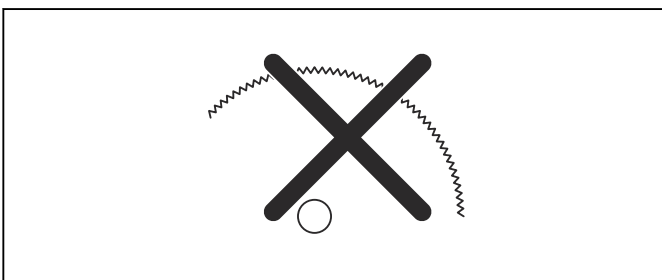
Getande bladen



WAARSCHUWING: Gebruik nooit getande bladen of schijven bedoeld voor het zagen van hout, cirkelvormige getande bladen, hardmetalen bladen, etc. Dit vergroot de kans op terugslag en het afbreken van tanden bij hoge toerentallen. Achteloosheid kan resulteren in ernstig of zelfs dodelijk persoonlijk letsel.



WAARSCHUWING: Overheidsvoorschriften vereisen een ander type beschermkap voor hardmetalen zaagbladen dan het type waarmee doorslijpmachines zijn uitgerust – een zogenaamde 360-gradenbeschermkap. Doorslijpmachines (waaronder deze zaag) maken gebruik van diamantzaagbladen en hebben een ander beschermingsstelsel, dat geen bescherming biedt tegen de gevaren die gerelateerd zijn aan het gebruik van houtzaagbladen.



Het gebruik van deze doorslijpmachine met een zaagblad met hardmetaal opgelegde tanden is onveilig en in strijd met de arboregels.

Vanwege het gevaarlijke karakter en de zware omstandigheden van brandbestrijdings- en reddingsoperaties die worden uitgevoerd door de diverse, zeer goed getrainde openbare veiligheidsorganisaties en veiligheidsprofessionals (brandweerkorpsen), is Husqvarna zich ervan bewust dat zij deze doorslijpmachine in bepaalde noodsituaties mogelijk zullen gebruiken in combinatie met hardmetalen bladen, aangezien deze in staat zijn om diverse typen obstakels door te zagen en er niet altijd gelegenheid is om bladen of machines te verwisselen. Houd er bij het gebruik van deze doorslijpmachine rekening mee dat hardmetalen bladen gevoeliger zijn voor terugslag dan droogslijpschijven of diamantzaagbladen, indien ze niet op de juiste wijze worden gebruikt. Bij hardmetalen bladen kunnen ook stukjes materiaal vanaf het blad wegspringen.

Daarom mag een doorslijpmachine met een hardmetalen zaagblad uitsluitend worden gebruikt door zeer goed getrainde openbare-veiligheidsprofessionals die op de hoogte zijn van de risico's die met het gebruik ervan gepaard gaan, en uitsluitend in veeleisende omstandigheden waarin andere gereedschappen inefficiënt en ineffectief worden geacht voor brandbestrijdings- of reddingsoperaties. Een doorslijpmachine die is uitgerust met een hardmetalen blad mag nooit worden gebruikt voor het zagen van hout, tenzij bij reddingsoperaties.

Controleren van de spil en de flensringen

Inspecteer de flensringen en de spindel as wanneer u het blad vervangt.



OPGELET: Gebruik alleen flensringen van Husqvarna met een minimumdiameter van 105 mm.



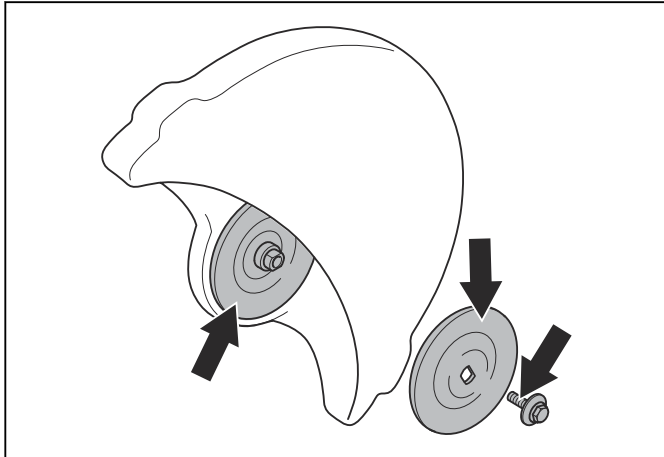
OPGELET: Gebruik geen scheve, afgebroken, kapotte of vieze flensringen.



OPGELET: Gebruik geen flensringen met verschillende afmetingen.

1. Controleer de schroefdraad op de spil op beschadiging.

- Controleer of de contactvlakken van het blad en de flensringen onbeschadigd, van het juiste formaat en schoon zijn, en of ze goed op de spilassen lopen.



De spilbus controleren

Zorg dat de spilbus goed aansluit op het gat in het blad.

Het product wordt geleverd met een vaste bus of een bus die kan worden omgewisseld voor ofwel een 20 mm of 1 inch (25,4 mm) middengat.

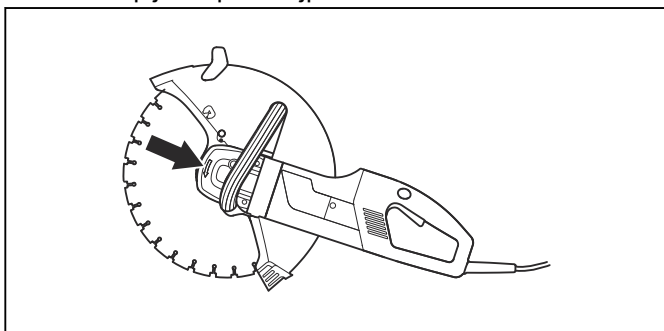
- Zorg dat de bus op de spindel van het product overeenkomt met het middengat van het blad.

Op de bladen staat de diameter van het middengat vermeld.

De draairichting van het blad controleren

Let bij het gebruik van een diamantzaagblad op, dat dit in de richting van de pijl op het blad draait.

- Inspecteer de draairichting van het blad aan de hand van de pijlen op de slijparm.

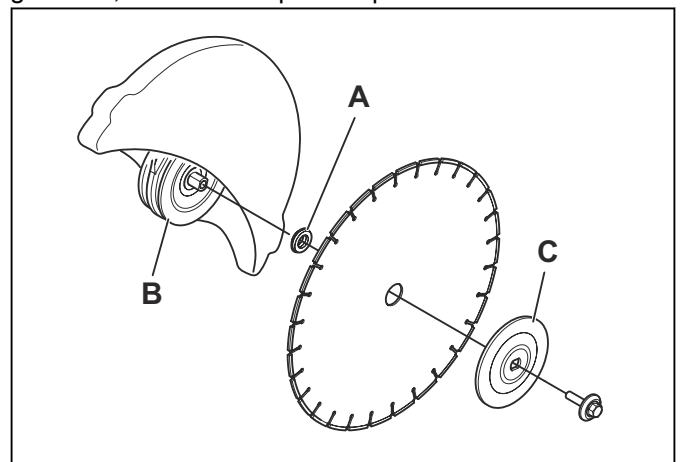


Het zaagblad monteren

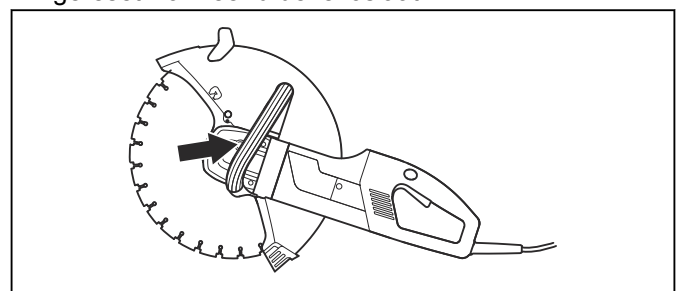
Het aanhaalmoment voor de bevestigingsbout van het zaagblad is 25 Nm.

Het blad wordt op bus (A) gezet tussen de binnenste flensring (B) en de flensring (C). De flensring is

gedraaid, zodat deze op de as past.



- Vergrendel het zaagblad/as met de vergrendelknop op de achterkant van de machine. De knop wordt gereset wanneer u deze loslaat.



De bladbeschermkap afstellen



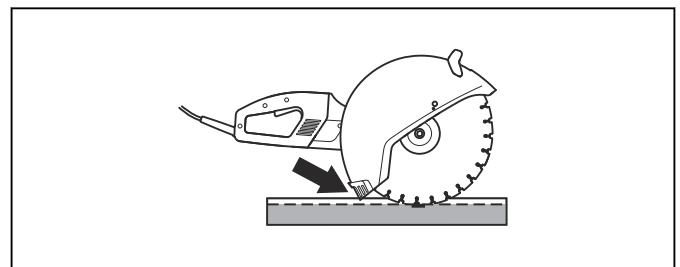
WAARSCHUWING: Controleer altijd of de beschermkap correct gemonteerd is voordat u het product inschakelt.

De beschermkap voor de zaaguitrusting moet zo zijn ingesteld dat de achterkant tegen het werkstuk steunt.

Spatten en vonken van het materiaal dat wordt gezaagd worden door de beschermkap opgevangen en weg van de gebruiker geleid.

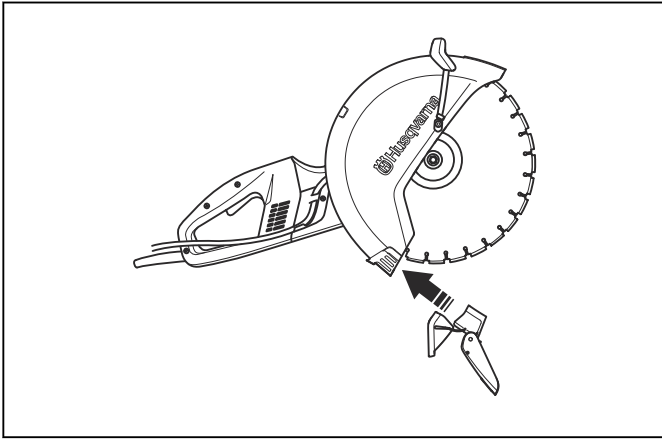
De bladbeschermkap wordt door frictie vergrendeld.

- Druk de uiteinden van de beschermkap tegen het werkstuk of stel de beschermkap af met de afstelhendel.

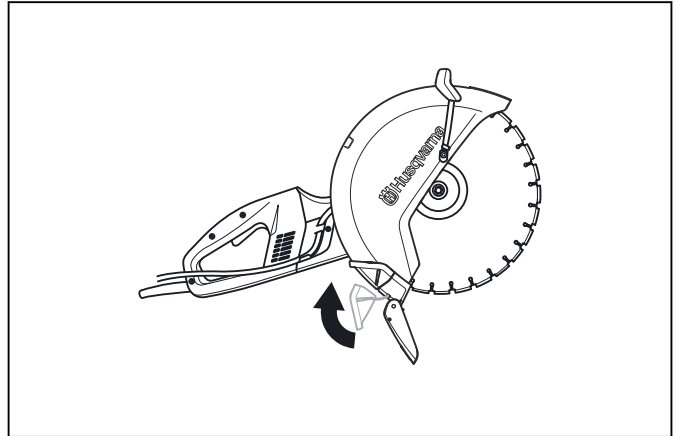


Spatscherm afstellen

1. Schuif het spatscherm in de sleuven op de achterkant van de bladbeschermkap.



2. Zorg dat de vergrendelingspal op de nok op de afdekking rust. Klap de vergrendelpal omhoog en druk deze tegen de beschermkap.



BEDIENING

Basistechniek



WAARSCHUWING: Trek de doorslijpmachine niet opzij. Hierdoor kan het blad vastlopen of breken, wat tot letsel kan leiden.



WAARSCHUWING: NIET slijpen met de zijkant van het zaagblad. Slijpen veroorzaakt breuk of beschadigingen. Gebruik alleen het snijvlak.



WAARSCHUWING: Controleer voordat u een bestaande sleuf bewerkt die met ander blad werd gemaakt of de sleuf niet dunner is dan uw zaagblad. Als de sleuf dunner is, kan gebruik van een dikker blad aanlopen en terugslag veroorzaken.



WAARSCHUWING: Gebruik een diamantzaagblad nooit voor het zagen van kunststoffen. Door de warmte die tijdens het zagen wordt gegenereerd, kan het kunststof gaan smelten en aan het zaagblad blijven plakken en terugslag veroorzaken.



WAARSCHUWING: Bij slijpen in metaal komen vonken vrij die brand kunnen veroorzaken. Gebruik het product niet in de buurt van ontvlambare stoffen of gassen.

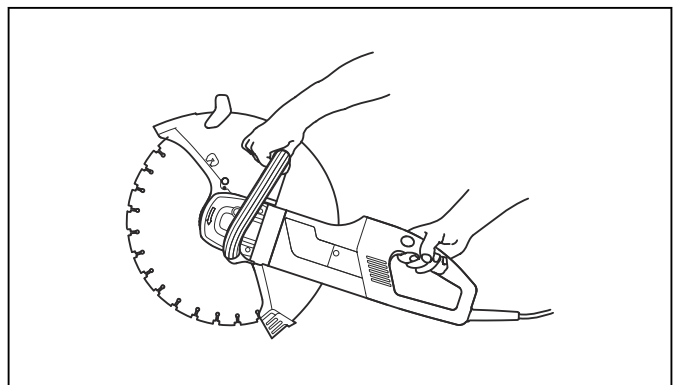


WAARSCHUWING: Het is niet toegestaan om metaal te zagen met het Vac-hulpstuk.

- Het product is bedoeld voor het slijpen met droogzaagbladen of diamantzaagbladen voor

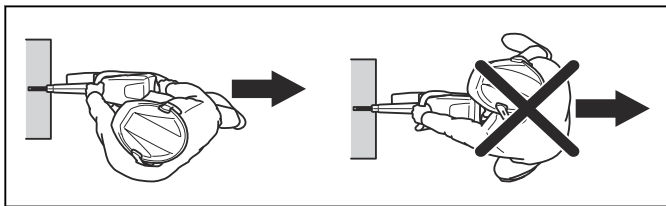
draagbare hoogtoerige producten. Het product mag niet worden gebruikt met enig ander type zaagblad of voor enig ander soort zaagwerk.

- Controleer altijd of het zaagblad correct gemonteerd is en geen gebreken vertoont. Zie *Slijpschijven op pagina 59* voor instructies.
- Controleer of het juiste zaagblad wordt gebruikt voor de betreffende toepassing. Zie *Slijpschijven op pagina 59* voor instructies.
- Zaag nooit asbestmaterialen!
- Houd de zaag met beide handen stevig vast, met de duimen en vingers om de handgrepen. Houd de rechterhand op de achterste handgreep en de linkerhand op de voorste handgreep. Alle gebruikers, zowel linkshandigen en rechtshandigen, moeten deze handgreep gebruiken. Gebruik een doorslijpmachine nooit met maar één hand.

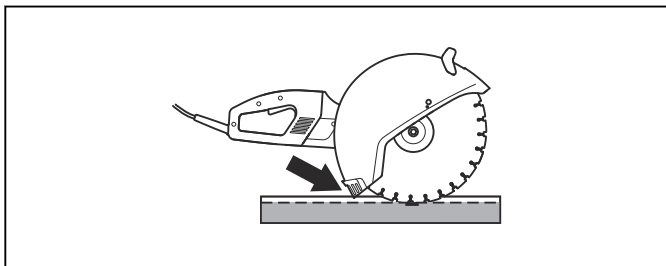


- Ga parallel aan het zaagblad staan. Ga er niet direct achter staan. In het geval van terugslag zal de

machine in het horizontale vlak van het blad bewegen.

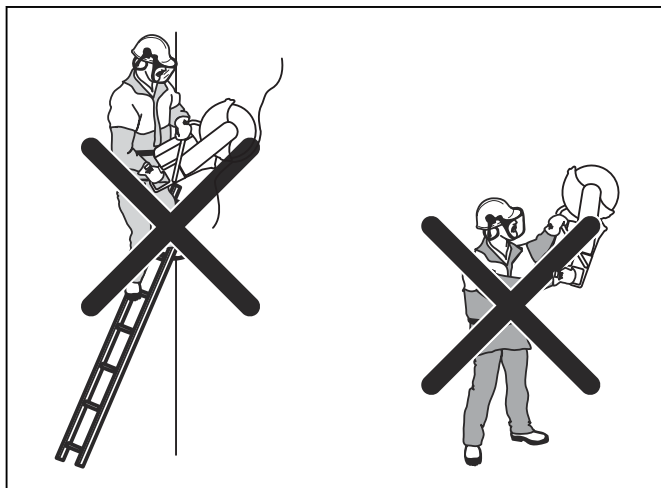


- Als het blad vastloopt of wanneer u stopt met zagen, laat dan het gas los en wacht tot het blad is gestopt met draaien. Haal het blad niet uit de zaagsnede terwijl het blad nog beweegt, om een terugslagreactie te voorkomen.
- Houd afstand tot het zaagblad wanneer de motor draait. Probeer een draaiend zaagblad niet te stoppen met enig deel van uw lichaam.
- Verplaats de machine niet wanneer de slijpuitrusting draait. Leg de machine pas op de grond nadat het blad volledig tot stilstand is gekomen.
- De beschermkap voor de zaaguitrusting moet zo zijn ingesteld dat de achterkant tegen het werkstuk steunt. Spatten en vonken van het doorgezaagde materiaal worden dan door de beschermkap opgevangen en van de gebruiker weggeleid. De beschermkappen voor de zaaguitrusting moeten altijd zijn aangebracht wanneer u met het product werkt.

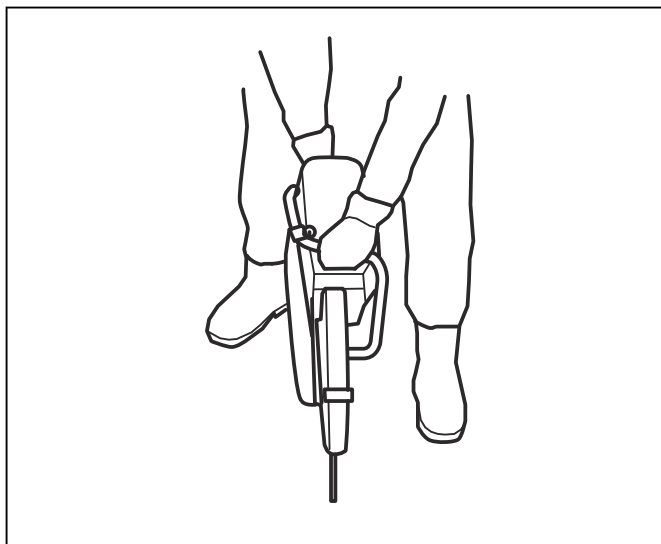


- Gebruik de terugslagrisicosector van het zaagblad nooit om te zagen. Zie *Terugslag op pagina 66* voor instructies.
- Wees extra voorzichtig wanneer u in een bestaande muur of in andere "blinde" oppervlakken zaagt. Het uitstekende wiel kan een gas- of waterleiding, elektrische bedrading of een ander object raken, wat terugslag kan veroorzaken.
- Zorg voor een goede balans en een stabiele houding.
- Zaag nooit boven schouderhoogte.

- Zaag nooit vanaf een ladder. Gebruik een platform of een steiger als u boven schouderhoogte moet werken.

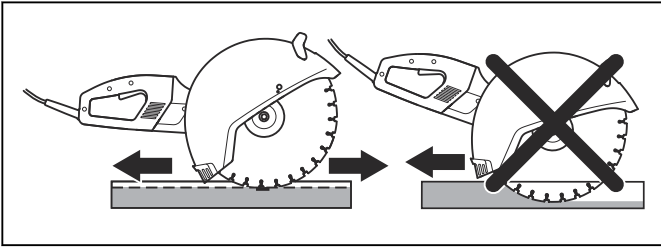


- Voorkom overstrekken.
- Sta op voldoende afstand van het werkstuk.
- Let erop dat u tijdens het werken altijd op een veilige en stabiele ondergrond staat.
- Controleer of het zaagblad niet iets raakt wanneer u het product start.
- Voer weinig kracht uit op het blad maar laat het product wel op vol vermogen draaien (maximumtoerental) draaien. Houd het maximumtoerental aan tot de snede voltooid is.
- Laat het product het werk doen zonder kracht of druk op het blad uit te oefenen.
- Beweeg het product omlaag en in lijn met het zaagblad. Druk van de zijkant kan het zaagblad kapot maken en is zeer gevaarlijk.



- Voer het zaagblad langzaam heen en weer om een klein contactoppervlak te krijgen tussen zaagblad en het materiaal dat moet worden doorgezaagd. Zo

houdt u de temperatuur van het zaagblad laag en kunt u efficiënt zagen.



Gebruik en verzorging van elektrische apparaten

- **Gebruik elektrische gereedschap niet voor taken waarvoor het niet geschikt is. Gebruik het juiste elektrische apparaat voor uw toepassing.** Met het juiste elektrische apparaat kunt u de taak beter en veiliger uitvoeren met de snelheid waarvoor het is ontworpen.
- **Gebruik het elektrisch gereedschap niet als de aan/uitschakelaar niet werkt.** Elektrische apparaten die niet bediend kunnen worden met de schakelaar zijn gevaarlijk en moeten gerepareerd worden.
- **Haal de stekker uit het stopcontact en/of verwijder de accu van het elektrische gereedschap voordat u aanpassingen maakt, accessoires verwisselt of het elektrische gereedschap opbergt.** Deze voorzorgsmaatregelen verkleinen het risico op het per ongeluk starten van het elektrische apparaat.
- **Berg elektrisch gereedschap dat u niet nodig hebt op buiten het bereik van kinderen en laat personen die onbekend zijn met het elektrisch gereedschap of deze instructies niet werken met het elektrisch gereedschap.** Elektrische apparaten zijn gevaarlijk in handen van ongetrainde gebruikers.
- **Onderhoud elektrisch gereedschap goed. Controleer op onjuiste montage of vastlopen van bewegende delen, gebroken onderdelen en andere condities die de werking van het elektrische gereedschap kunnen beïnvloeden. Als het elektrische apparaat beschadigd is, moet u het laten repareren voordat u het gebruikt.** Veel ongelukken worden veroorzaakt door slecht onderhouden elektrische apparaten.
- **Houd snijgereedschappen scherp en schoon.** Goed onderhouden snijgereedschappen met scherpe snijranden zullen minder gauw vastlopen en zijn eenvoudiger onder controle te houden.
- **Gebruik het elektrische gereedschap, toebehoren, bits, etc. in overeenstemming met deze instructies, rekening houdend met de werkomstandigheden en het uit te voeren werk.** Gebruik van het elektrische gereedschap voor andere werkzaamheden dan waarvoor het bedoeld is kan tot gevaarlijke situaties leiden.
- **Onder geen beding mag u wijzigingen aanbrengen in het oorspronkelijke ontwerp van de machine zonder toestemming van de fabrikant. Gebruik altijd originele reserveonderdelen. Ongeautoriseerde wijzigingen en/of accessoires kunnen ernstig of**

dodelijk letsel aan de gebruiker of anderen toebrengen.

- **Verzekeer u ervan dat zich op de werkplek of in het te frezen materiaal geen leidingen of elektrische kabels bevinden.**
- **Controleer altijd waar gasleidingen lopen en geef hun locatie duidelijk aan. Zagen of frezen dicht bij gasleidingen houdt altijd gevaar in. Voorkom het ontstaan van vonken met het oog op het risico van een explosie. Blijf geconcentreerd en gefocust op de taak. Achteloosheid kan resulteren in ernstig of zelfs dodelijk persoonlijk letsel.**
- **De beschermkap voor de zaaguitrusting moet altijd zijn aangebracht wanneer de machine werkt.**

Service

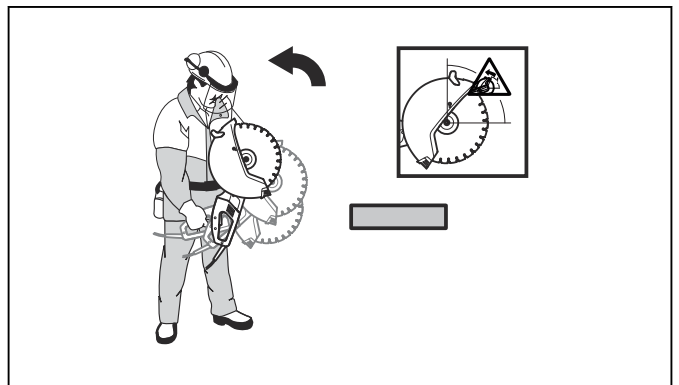
- **Laat uw elektrische apparaat repareren door een gekwalificeerde monteur en gebruik uitsluitend identieke vervangingsonderdelen. Dit zorgt ervoor dat de veiligheid van het elektrisch gereedschap wordt gehandhaafd.**

Terugslag



WAARSCHUWING: Een terugslag treedt plotseling op en kan erg hevig zijn. De doorslijpmachine kan omhoog schieten en met een draaiende beweging tegen de gebruiker aan worden geworpen, wat ernstig of zelfs fataal letsel kan veroorzaken. Het is van essentieel belang dat u, voordat u het product gaat gebruiken, begrijpt waardoor terugslag wordt veroorzaakt en hoe u dit kunt voorkomen.

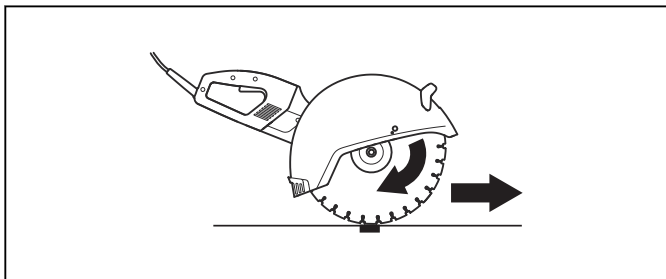
Terugslag is een plotselinge opwaartse beweging die kan optreden wanneer het zaagblad vastslaat of stilvalt in de terugslagrisicosector. Een terugslag is meestal gering en levert weinig gevaar op.



Reactieve kracht

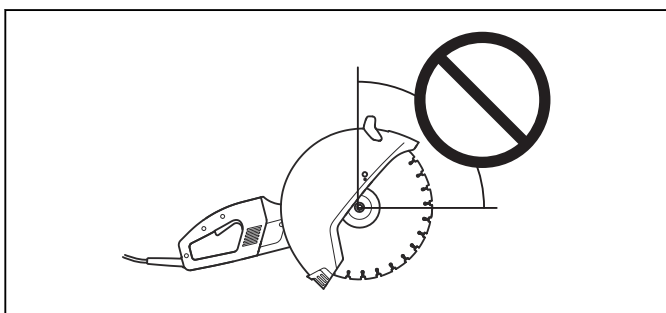
- **Bij het zagen is er altijd sprake van een reactieve kracht. Deze kracht trekt het product in tegengestelde richting ten opzichte van de bladrotatie. Meestal is deze kracht verwaarloosbaar. Als het zaagblad vastslaat of stilvalt, zal de reactieve**

kracht echter sterk zijn, waardoor u de macht over de doorslijpmachine kunt verliezen.



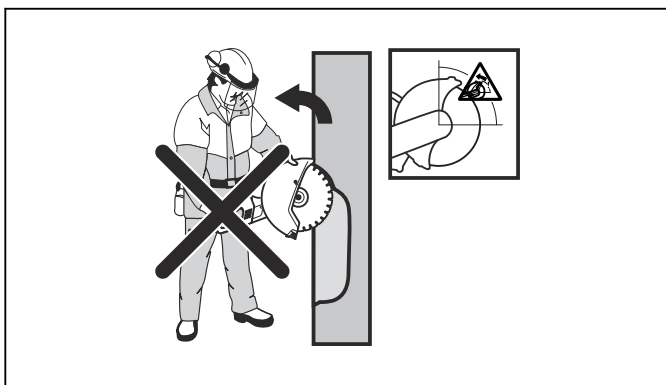
Terugslagrisicosector

- Gebruik de terugslagrisicosector van het zaagblad nooit om te zagen. Als het zaagblad vastslaat of stilvalt in de terugslagrisicosector zal de reactieve kracht de doorslijpmachine omhoog duwen en in een draaiende beweging terugwerpen naar de gebruiker, wat ernstig of zelfs fataal letsel kan veroorzaken.



Terugslag door "klimmen"

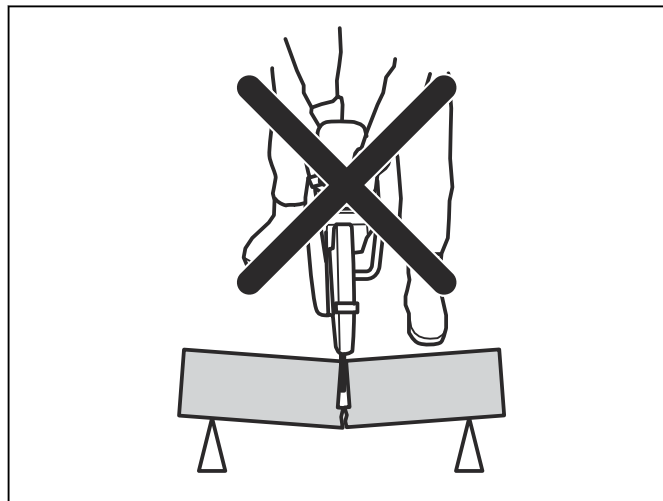
- Als de terugslagrisicozone wordt gebruikt om te zagen, zal het zaagblad in de zaagsnede "klimmen" als gevolg van de reactieve kracht. Gebruik de terugslagrisicosector van het zaagblad niet. Gebruik het onderste kwadrant van het zaagblad om terugslag door "klimmen" te voorkomen.



Terugslag door vastslaan

- Vastslaan treedt op wanneer de zaagsnede dichtklapt en het zaagblad blokkeert. Als het zaagblad vastslaat of stilvalt, zal de reactieve kracht

echter sterk zijn, waardoor u de macht over de doorslijpmachine kunt verliezen.



- Als het zaagblad vastslaat of stilvalt in de terugslagrisicosector zal de reactieve kracht de doorslijpmachine omhoog duwen en in een draaiende beweging terugwerpen naar de gebruiker, wat ernstig of zelfs fataal letsel kan veroorzaken.

Snijden in leidingen



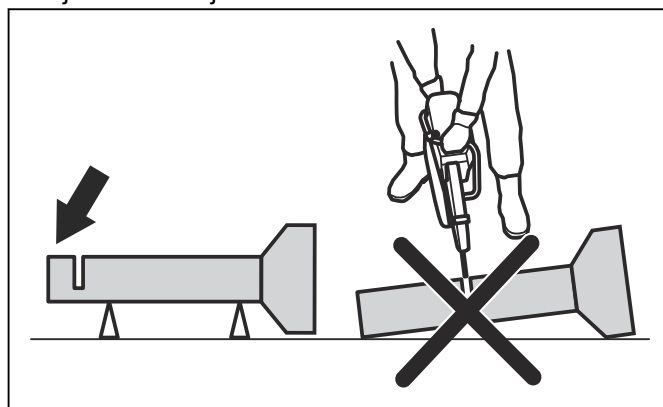
WAARSCHUWING: Als het zaagblad vastslaat in de terugslagrisicozone, zal dat een ernstige terugslag veroorzaken.



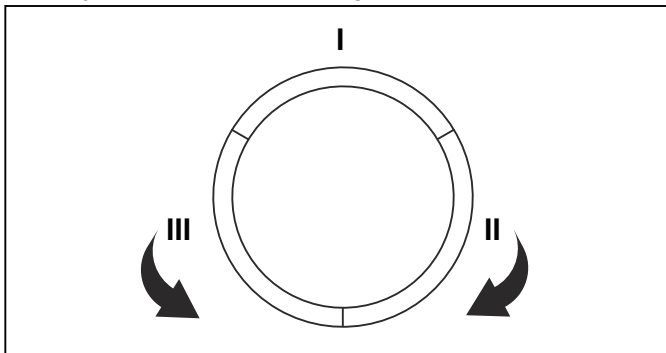
WAARSCHUWING: Zorg ervoor dat de leiding goed wordt ondersteund, zodat het uiteinde van leiding omlaag valt bij het snijden.

Wees extra voorzichtig bij het snijden van pijpen. Als de leiding niet goed wordt ondersteund en de snede tijdens het snijden niet wordt opgehouden, kan het blad vastslaan. Wees extra alert bij het snijden van een pijp met klokvormig uiteinde of een pijp die in een sleuf ligt. Als deze onvoldoende wordt ondersteund, kan deze doorbuigen en het blad vastklemmen.

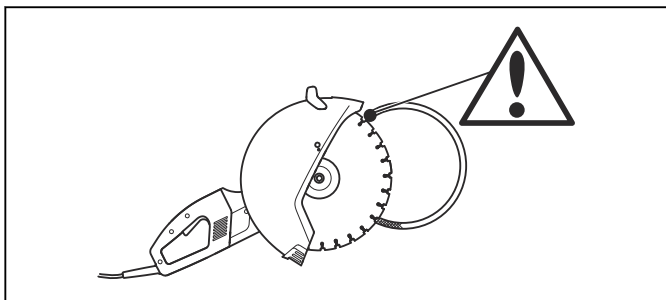
1. Zet de leiding vast, zodat deze niet beweegt of rolt tijdens het snijden.



2. Snijd deel "I" van de leiding.



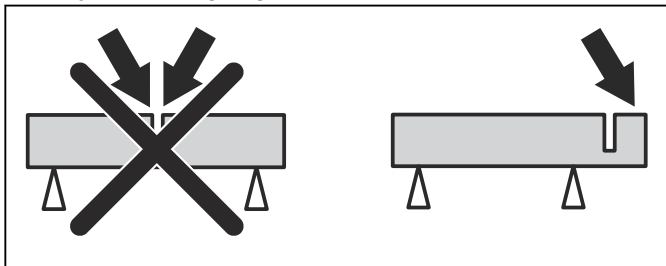
3. Zorg dat de snede opent om vastslaan te voorkomen.



4. Ga naar sectie "II" en maak een snede vanaf sectie I tot aan de onderkant van de leiding.
5. Ga naar sectie "III" en snijd de rest van de pijp af, eindigend aan de onderkant.

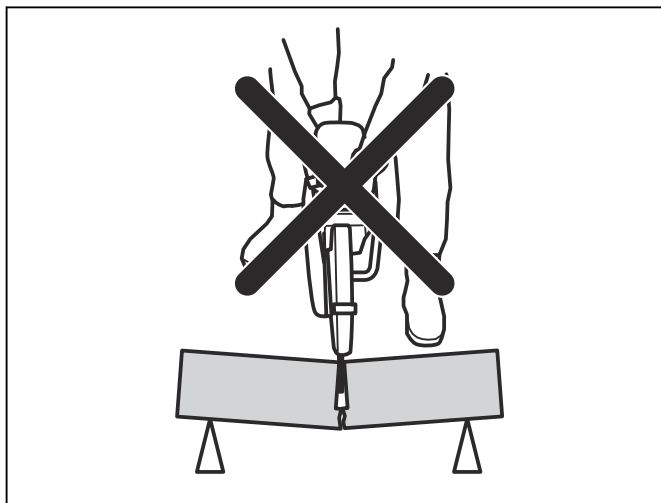
Terugslag voorkomen

1. Ondersteun het werkstuk altijd, zodat de snede open blijft bij doorsnijden. Wanneer de zaagsnede opent, treedt er geen terugslag op. Wanneer de zaagsnede sluit en het zaagblad hierdoor vastslaat, bestaat er altijd een terugslagrisico.



2. Wees voorzichtig als u het blad in een bestaande snede plaatst.

3. Ga voorzichtig te werk en houd rekening met de eventuele bewegingen van het werkstuk, of met iets anders dat kan optreden. Bewegen van het werkstuk of iets anders kan de snede sluiten en vastslaan veroorzaken.



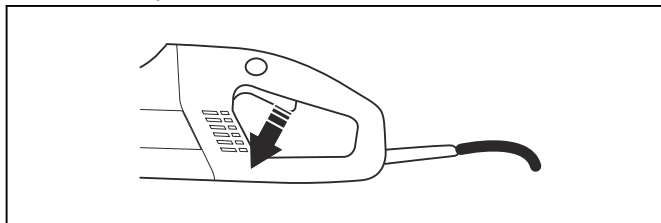
4. Voorkom dat de leiding doorbuigt en de snede afknelt. Anders kan het blad vastslaan in de terugslagrisicozone, wat tot ernstige terugslag kan leiden.
5. Ondersteun het uiteinde van de leiding zodanig, dat dit omlaag beweegt zodat de snede open blijft.

Aan-/uitschakelaar inspecteren



WAARSCHUWING: Een defecte aan-/uitschakelaar dient te worden vervangen door een erkende servicewerkplaats.

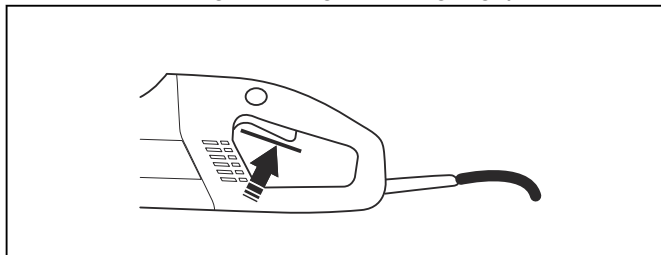
1. Start het product en laat de aan-/uitschakelaar los.



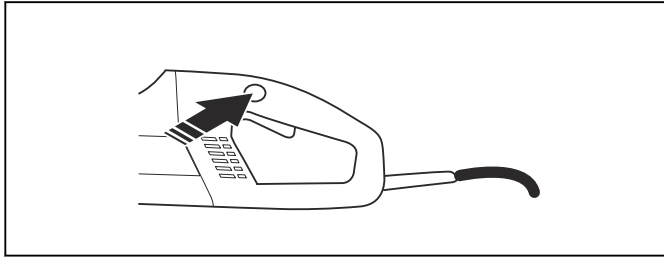
2. Zet de motor en het zaagblad stop.

De schakelaarvergrendeling controleren

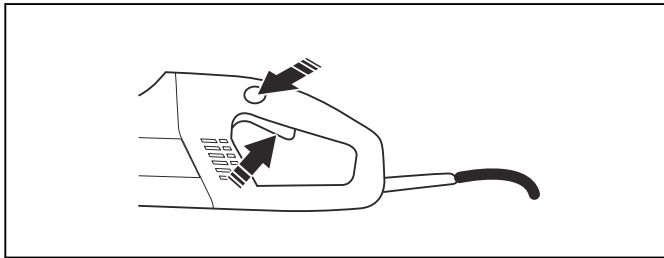
1. Controleer of de schakelaar is vergrendeld als de schakelaarvergrendeling in de uitgangspositie staat.



2. Druk de schakelaarvergrendeling in en controleer of deze na het loslaten weer terugkeert in de uitgangspositie.



3. Controleer of de schakelaar en de schakelaarvergrendeling makkelijk in te drukken zijn en of de retourveren werken.



4. Start het product, laat de schakelaar los en controleer of de motor en het zaagblad stoppen.

De bladbeschermkap inspecteren

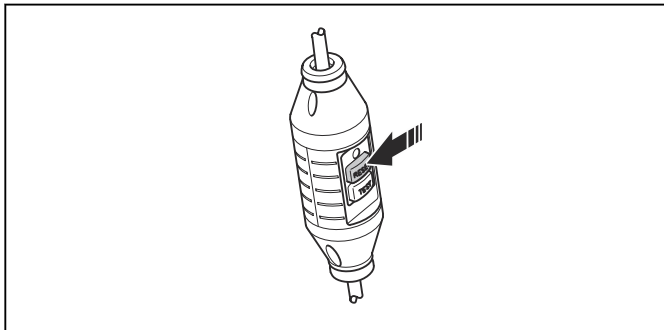


WAARSCHUWING: Controleer altijd of de beschermkap correct gemonteerd is voordat u het product inschakelt. Controleer of het zaagblad correct is gemonteerd en geen gebreken vertoont. Een beschadigd zaagblad kan persoonlijke ongelukken veroorzaken. Zie de instructies in het hoofdstuk Monteren.

- Controleer of de beschermkap heel is en geen barsten vertoont of vervormd is.

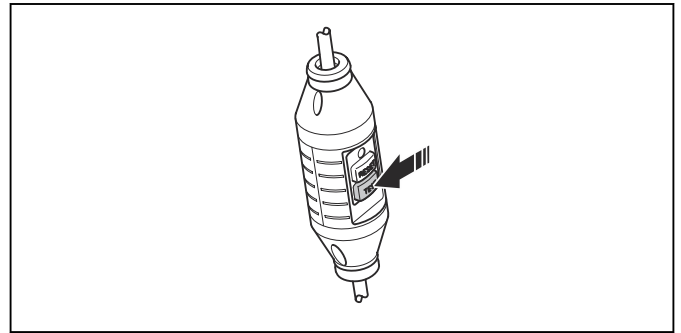
Aardlekschakelaar controleren

1. Sluit het product aan op het stopcontact.
2. Druk op de RESET-knop (groen); de rode LED gaat branden.



3. Start de machine.

4. Druk op de TEST-knop (blauw).



5. De aardlekschakelaar moet worden geactiveerd en de machine schakelt onmiddellijk uit. Is dat niet het geval, neem dan contact op met uw dealer.
6. Druk op de RESET-knop (groen).

Voordat u begint



WAARSCHUWING: Lees de gebruikershandleiding zorgvuldig door en zorg dat u de instructies hebt begrepen voordat u het product gebruikt.



WAARSCHUWING: Draag altijd persoonlijke beschermingsuitrusting. Zie *Persoonlijke beschermingsuitrusting op pagina 57*.



WAARSCHUWING: Zorg ervoor dat zich geen onbevoegden binnen het werkgebied bevinden, anders bestaat er risico op ernstige verwondingen.

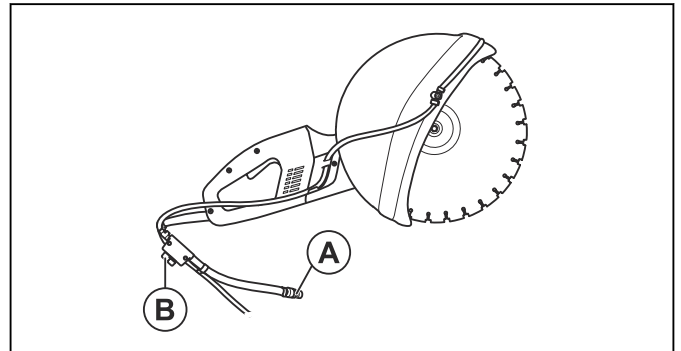


WAARSCHUWING: Controleer of de netspanning overeenkomt met de spanning die is aangegeven op het typeplaatje op het product.

Voer dagelijks onderhoud uit. Zie sectie *ONDERHOUD op pagina 70*.

Wateraansluiting

1. Sluit de waterslang aan op de watertoevoer (A).



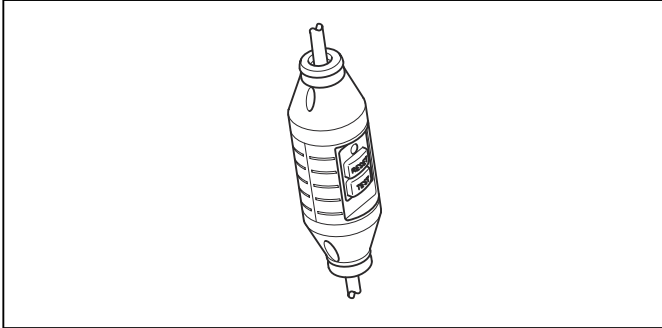
2. Draai aan de kraan (B) om de kraan te openen en sluiten.

Inschakelen aardlekschakelaar



WAARSCHUWING: Gebruik het gereedschap nooit zonder de meegeleverde aardlekbeveiliging. Achteloosheid kan resulteren in ernstig of zelfs dodelijk persoonlijk letsel.

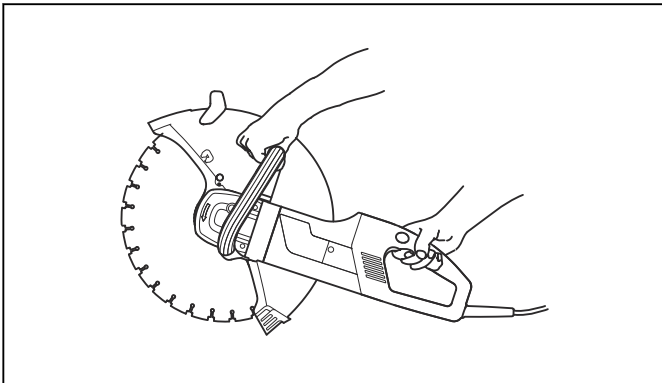
1. Zorg dat de aardlekschakelaar is gesloten.



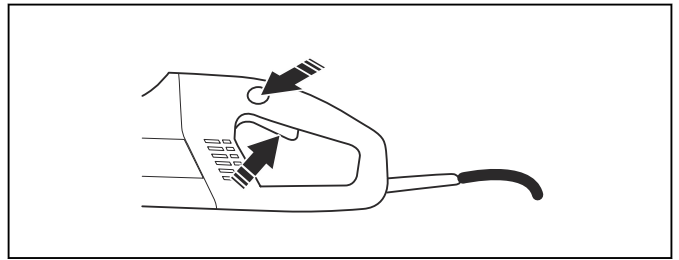
2. Start het product. Als de LED niet brandt, druk dan op de RESET-knop (groen).
3. Controleer de aardlekbeveiliging.

Product starten

1. Houd de voorste handgreep stevig vast met uw linkerhand.
2. Pak de achterste handgreep vast met uw rechterhand.



3. Druk de schakelaarvergrendeling in met uw rechterduim en druk de schakelaar in.



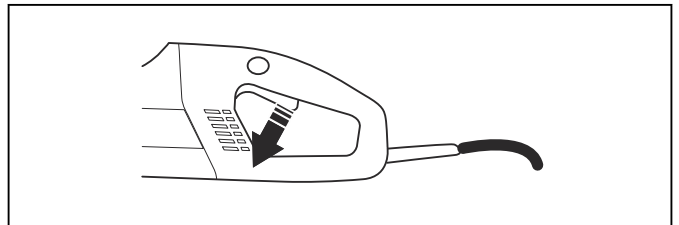
4. Gebruik het product onbelast en op een veilige manier gedurende minstens 30 seconden.

Product stoppen



WAARSCHUWING: Nadat de motor is gestopt, blijft het zaagblad nog maximaal een minuut draaien (uitlooptijd). Zorg ervoor dat het zaagblad vrij kan draaien totdat het volledig stopt. Onzorgvuldigheid kan ernstig persoonlijk letsel tot gevolg hebben.

1. Laat de aan-/uitschakelaar los om de motor te stoppen.



ONDERHOUD

Onderhoudsschema

In het onderhoudsschema kunt u zien welke onderdelen van uw product onderhoud vereisen. U kunt ook zien

met welke intervallen het onderhoud moet gebeuren. De intervallen worden berekend op basis van dagelijks gebruik van het product en kunnen afwijken op basis van de gebruiksintensiteit.

	Elke dag	Wekelijks / 40 uur	Jaarlijks
Reinigen	Reiniging buitenzijde		
	Koelluchtinlaat		

	Elke dag	Wekelijks / 40 uur	Jaarlijks
Functionele inspectie	Algemene inspectie	Koolborstels	
	Aan-/uitschakelaar*		
	Schakelaarvergrendeling*		
	Bladbeschermkap*		
	Zaagblad**		
	Watertoevoersysteem		
Vervangen			Smeervet tandwielkast

*Zie instructies in hoofdstuk *Veiligheidsvoorzieningen op het product op pagina 58*.

**Zie instructies in hoofdstuk *Slijpschijven op pagina 59*.

Reinigingsprocedures

Uitwendige reiniging



WAARSCHUWING: Gebruik geen hogedrukspuit om het binnenste deel van de machine schoon te spoelen.

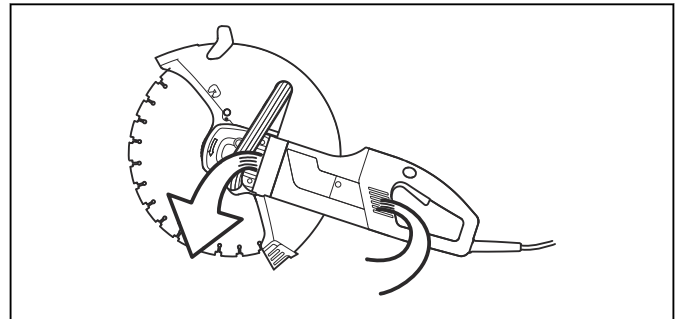
De machine is bestand tegen vochtige lucht en spatten tijdens het zaagproces. Bij het zagen van materialen die mogelijk zout bevatten, zoals beton of steen, moet u de machine na beëindiging van de werkzaamheden afspoelen. Het schoonmaken vermindert het risico van afzettingen binnen in de motor. Afzettingen in de motor kunnen leiden tot lekstroom tussen elektrische componenten. De lekstroom kan de aardlekschakelaar onbedoeld activeren.

1. Spoel het product dagelijks na de werkzaamheden met schoon water.
2. Plaats het product met de achterste handgreep naar boven gericht.
3. Spoel de luchtinlaten bij de achterste handgreep met schoon water. Het water zal naar buiten lopen via de luchtuitlaten aan de voorzijde.
4. Steek de stekker in het stopcontact en laat de motor ongeveer 30 seconden draaien om het drogen van de motor te versnellen.

De koelluchtinlaat van de motor reinigen

Het product is uitgerust met een ventilator om de motor te koelen. Bedien de handgreep aan de achterzijde van het product om de koellucht door het rooster te laten passeren. De lucht kan langs de stator en rotor stromen en via de voorzijde de motorbehuizing verlaten.

1. Houd de openingen voor koellucht altijd schoon om voor voldoende koeling te zorgen.



2. Blaas regelmatig perslucht door het product.

Functionele inspectie

Algemene inspectie uitvoeren



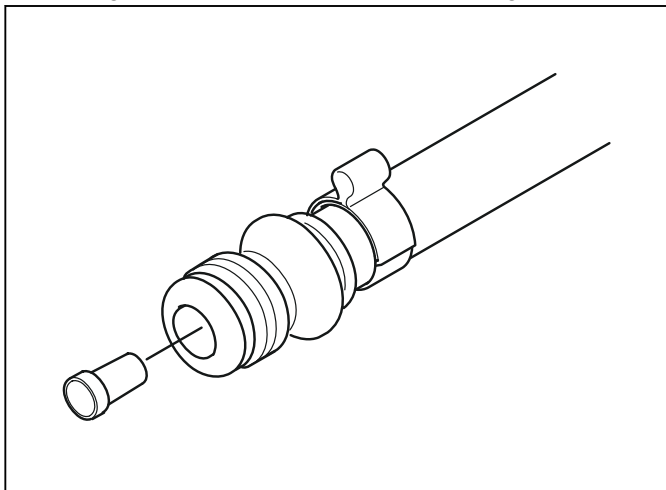
WAARSCHUWING: Gebruik nooit beschadigde kabels. Ze kunnen ernstig, zelfs dodelijk, letsel veroorzaken.

1. Controleer of de kabel en het verlengsnoer onbeschadigd en in goede staat zijn. Gebruik het product niet als de kabel is beschadigd, maar breng de kabel voor reparatie naar een erkende servicewerkplaats.
2. Controleer of de moeren en schroeven goed zijn vastgedraaid.

Het watertoevoersysteem controleren

1. Controleer of de verstuurers op de bladbeschermkap niet verstopt zijn.
2. Reinig de betreffende delen indien nodig.
3. Controleer of het filter op de wateraansluiting niet verstopt is.

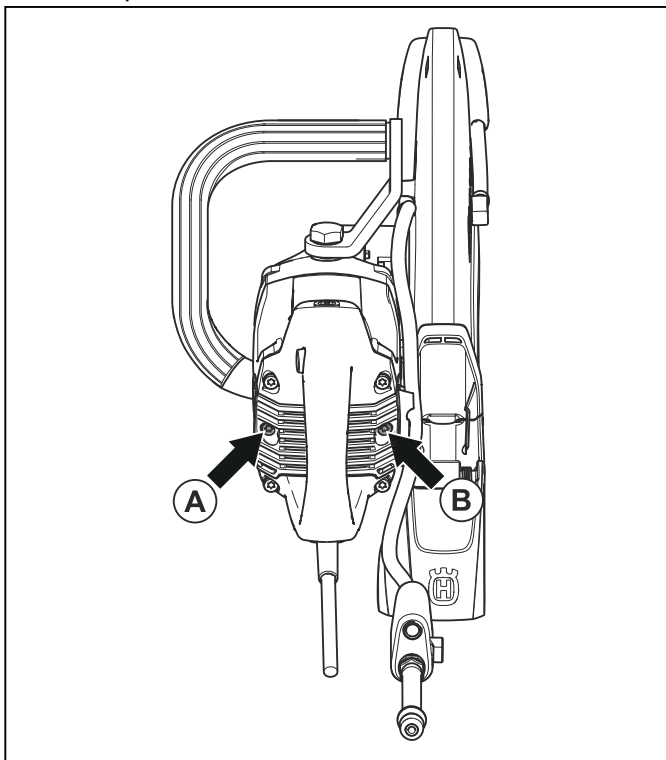
4. Reinig de betreffende delen indien nodig.



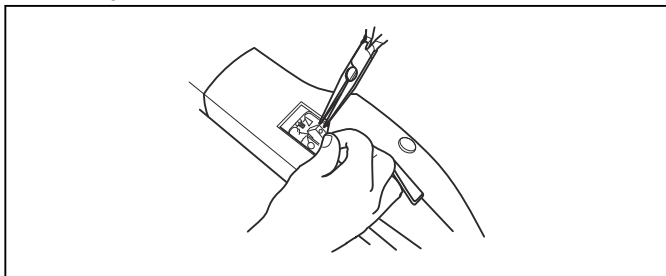
Koolborstels vervangen

Vervang de koolborstels als ze versleten, gebarsten of op enige andere wijze beschadigd zijn. Vervang alle koolborstels gelijktijdig.

1. Draai beide schroeven (A) en (B) los en verwijder het inspectiedeksel.



2. Verwijder de kabel die de koolborstel vasthoudt.



3. Til vervolgens de veer op en neem de koolborstel los uit de borstelhouder.

4. Maak de borstelhouders schoon met een droge kwast.
 5. Blaas stof voorzichtig weg.
 6. Monteer de nieuwe koolborstels en controleer of ze gemakkelijk in de borstelhouders glijden.
 7. Klap de veer neer en schroef de kabel vast.
 8. Laat de nieuwe koolborstels ongeveer 40 minuten inslijten bij stationair toerental.

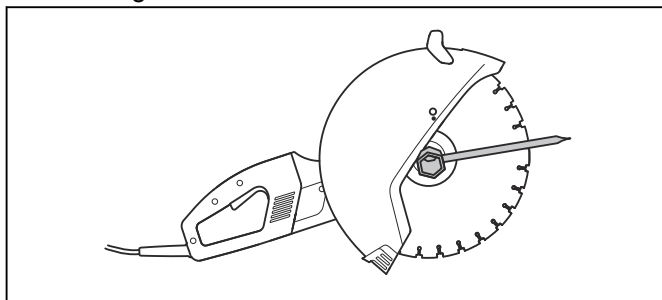
Tandwielkast met smeervet vullen

Vul het tandwielhuis niet geheel met vet. Het vet zet uit wanneer de temperatuur van het product stijgt tijdens de werkzaamheden. Als u het tandwielhuis geheel vult met vet, kan er schade aan de afdichtingen ontstaan waardoor het vet kan weglekken.

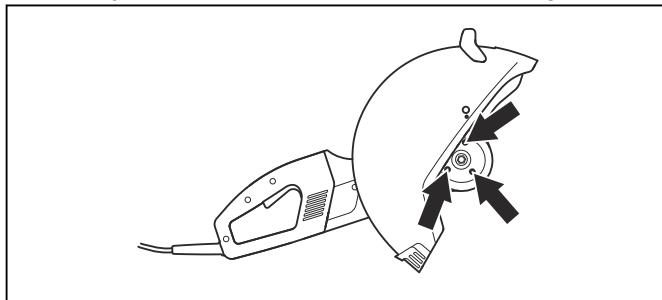
Het tandwielhuis dient in totaal 90 g vet te bevatten. Gebruik alleen smeervet dat wordt aanbevolen door Husqvarna.

Voor het vervangen van het smeervet in het tandwielhuis dient u onderstaande onderdelen te verwijderen:

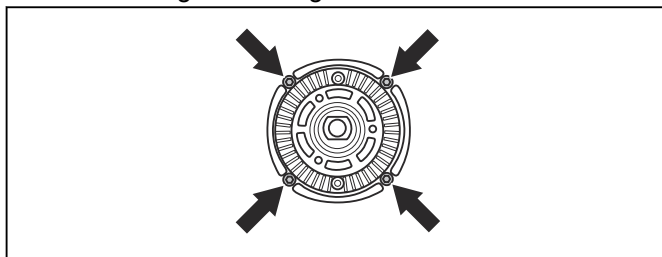
1. Verwijder de flensringen waarmee het zaagblad is bevestigd.



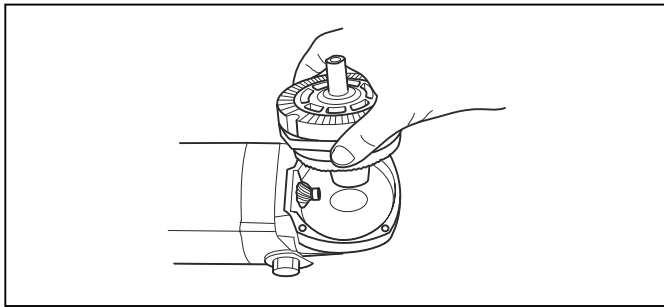
2. Verwijder de afdichtring.
 3. Verwijder de steunflens van de afscherming.



4. Verwijder de bladbeschermkap.
 5. Verwijder de vier schroeven waarmee de afscherming is bevestigd.



6. Til het schild met de kroonwielen uit het tandwielhuis.



7. Veeg het oude smeervet weg en vul bij met nieuw hoogwaardig tandwielvet.

TRANSPORT, OPSLAG EN VERWERKING

Transport

Transport van het product

- Zet het product tijdens transport goed vast om transportschade en ongelukken te voorkomen.

Transport van zaagbladen

- Vervoer de doorslijpmachine niet met een gemonteerd zaagblad. Verwijder na gebruik alle zaagbladen uit de doorslijpmachine.
- Controleer nieuwe zaagbladen op transport- of opslagschade.

Opslag

Het product opslaan

- Sla het product op in een afsluitbare ruimte zodat het buiten het bereik is van kinderen en onbevoegde personen.

Opslag van zaagbladen

- Bewaar de doorslijpmachine niet met een gemonteerd zaagblad. Verwijder na gebruik alle zaagbladen uit de doorslijpmachine en bewaar ze zorgvuldig.
- Bewaar zaagbladen droog en vorstvrij. Wees extra voorzichtig met droogzaagbladen. Bewaar droogzaagbladen op een vlak, horizontaal oppervlak.

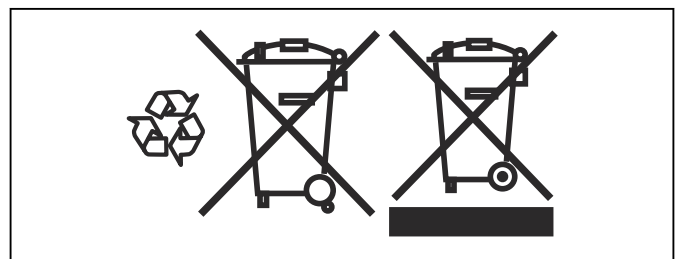
Als u een droogzaagblad in een vochtige omgeving bewaart, kan dat onbalans veroorzaken met letsel tot gevolg.

- Controleer nieuwe zaagbladen op transport- of opslagschade.

Afvoeren

Symbolen op het product of op de verpakking van het product geven aan dat dit product niet verwerkt mag worden als huishoudelijk afval. Het moet worden ingeleverd bij een geschikt inzamelstation voor het terugwinnen van elektrische en elektronische apparatuur.

Als u ervoor zorgt dat dit product goed wordt verwerkt, helpt u mogelijk negatieve gevolgen voor het milieu en mensen door verkeerd afvalbeheer van dit product tegen te gaan. Neem voor meer informatie over het recyclen van dit product contact op met de gemeente, het afvalverwerkingsbedrijf of de winkel waar u het product hebt gekocht.



TECHNISCHE GEGEVENS

Technische gegevens

K 4000		
Beschermingsgraad		I
Maximum toerental van uitgaande as, tpm	120V, 60Hz	3400
	230V, 50Hz	3600
Nominale spanning, V		
Europa		230
Verenigd Koninkrijk en Ierland		110

K 4000		
USA / Canada / Japan		100-120
Australië		230
Rendement , W		
Europa	230V, 50Hz	2700/12 A
Verenigd Koninkrijk en Ierland	110V, 50Hz	2200/20 A
USA / Canada / Japan	100-120 V, 50-60 Hz	15 A
Australië	230V, 50Hz	2300/10 A
Gewicht		
Machine zonder kabelpakket, zonder blad en Vac-hulpstuk, kg (lbs)		7,6 (16,7)
Waterkoeling		
Waterkoeling van schijf		Ja
Verbindingsnippel		Type 'Gardena'
Aanbevolen waterdruk, bar (PSI)		0,5-8 (7,3-116)
Geluidsemissies (zie opmerking 1)		
Geluidsvermogeniveau, gemeten dB(A)		104
Geluidsvermogensniveau, gegarandeerd L _{WA} dB (A)		105
Geluidsniveaus (zie opmerking 2)		
Equivalent geluidsdrukniveau bij het oor van de gebruiker, dB(A)		95
Equivalent trillingsniveau, a_{hveq} (zie opm. 3)		
Voorste handgreep, m/s ²		3,5
Achterste handgreep, m/s ²		3,5
<p>Opmerking 1: Geluidsemissies naar de omgeving gemeten als geluidsvermogen (LWA) volgens richtlijn 2000/14/EC. Het verschil tussen gegarandeerd en gemeten geluidsvermogen is dat het gegarandeerde geluidsvermogen ook spreiding in het meetresultaat omvat en de verschillen tussen de verschillende machines van hetzelfde model conform Richtlijn 2000/14/EC.</p> <p>Opmerking 2: Het vergelijkbare geluidsdrukniveau, conform EN ISO 19432, is berekend als de totale tijdgewogen energie voor verschillende geluidsdrukniveaus onder verschillende bedrijfsomstandigheden. De gerapporteerde gegevens voor een vergelijkbaar geluidsdrukniveau voor de machine vertonen een typische statistische spreiding (standaardafwijking) van 1 dB(A).</p> <p>Opmerking 3: Het equivalente trillingsniveau, volgens EN ISO 19432, wordt berekend als de totale tijdgewogen energie van de trillingsniveaus onder verschillende bedrijfsomstandigheden. De gerapporteerde gegevens voor een vergelijkbaar trillingsniveau vertonen een typische statistische spreiding (standaardafwijking) van 1 m/s².</p>		

Aanbevolen droogzaagblad/ diamantzaag

Zaagblad, mm (inch)	350 (14)
Max. omtreksnelheid, m/s (ft/s)	100 (19600)
Max. bladsnelheid, tpm	3900
Max. zaagdiepte, mm (inch)	125 (4 59/64)

Max. zaagafstand met het Vac-hulpstuk, mm (inch)	119 (4 11/16)
--	---------------



OPGELET: De onderstaande aanbevelingen gelden voor de minimum kabeldiameter ten opzichte van de maximumlengte van de verlengkabel. Volg de aanbevelingen ter voorkoming van verminderde prestaties en schade aan het product.

Kabelzone	1,5 mm ²	2,5 mm ²
Ingangsspanning 100-120 V	20 m	40 m
Ingangsspanning 220-240 V	30 m	50 m

EG-CONFORMITEITSVERKLARING

EG-conformiteitsverklaring

(Alleen geldig voor Europa)

Husqvarna AB, SE-561 82 Huskvarna, Zweden, tel: +46-36-146500, verklaart onder eigen verantwoordelijkheid dat de doorslijpmachine **Husqvarna K 4000** vanaf 2018 serienummers en later (het jaartal staat duidelijk op het typeplaatje vermeld, gevolgd door het serienummer) voldoet aan de eisen die zijn opgenomen in de RICHTLIJNEN VAN DE RAAD:

- van 17 mei 2006 "betreffende machines" **2006/42/EC**.
- van 26 februari 2014 "betreffende elektromagnetische compatibiliteit" **2014/30/EU**.
- van 8 juni 2011 betreffende "beperking van het gebruik van bepaalde gevaarlijke stoffen" **2011/65/EU**.

De volgende normen zijn van toepassing: **EN ISO 12100:2010, EN 55014-1:2006+A1:2009+A2:2011, EN 55014-2:1997+A1:2001+A2:2008, EN 61000-3-2:2014, EN 61000-3-3:2013, EN 60745-1:2009, EN 60745-2-22:2011+A11:2013.**

Partille, 1 January 2018

Joakim Ed

Global R&D Director

Construction Equipment Husqvarna AB

(Geautoriseerde vertegenwoordiger voor Husqvarna AB en verantwoordelijk voor de technische documentatie).

Inhalt

EINLEITUNG.....	76	WARTUNG.....	95
SICHERHEIT.....	78	TRANSPORT, LAGERUNG UND ENTSORGUNG.....	98
MONTAGE.....	84	TECHNISCHE DATEN.....	99
BETRIEB.....	89	EG-KONFORMITÄTSEKTLÄRUNG.....	101

EINLEITUNG

Pflichten des Betreibers

Der Betreiber ist verpflichtet, nur entsprechend ausgebildete Personen mit der Bedienung des Produktes zu betrauen. Aufsichtspersonen und Bediener haben sämtliche Anweisungen in diesem Handbuch zur Kenntnis zu nehmen. Insbesondere ist auf Folgendes zu achten:

- Sicherheitshinweise.
- Vorgesehene Anwendungsbereiche.
- Nutzungs- und Wartungshinweise.

Die Benutzung dieses Produktes könnte durch ein nationales Gesetz geregelt sein. Finden Sie heraus, welche Gesetze Anwendung finden, bevor Sie mit der Benutzung des Produktes beginnen.

Produktbeschreibung

K 4000 ist ein handgeführter Hochgeschwindigkeits-Trennschleifer für harte Materialien wie Stein oder Stahl. Er darf ausschließlich für die in diesem Handbuch beschriebenen Zwecke verwendet werden. Ein sicherer Betrieb dieses Produktes setzt voraus, dass der Betreiber dieses Handbuch aufmerksam durchliest. Weitere Informationen erhalten Sie von Ihrem Händler oder Husqvarna.

Konstruktion und Funktionen

Merkmale

K 4000 wird mit innovativer Technologie für hohe Leistung und Zuverlässigkeit hergestellt und bietet

Hochleistungstechnologien und eine umweltfreundliche Produktfertigung.

Einige der einzigartigen Funktionen von K 4000 werden unten aufgeführt.

Elgard™

Elgard™ ist ein elektronischer Überlastungsschutz zur Vorbeugung von Motorschäden. Damit wird die Maschine geschont und ihre Lebensdauer verlängert. Mit der Funktion Elgard™ wird vor möglichen Überlastungen gewarnt.

Softstart™

Softstart™ ist ein elektronischer Strombegrenzer, der für ein sanfteres Anlaufen sorgt.

Sauganbaugerät (nicht im Lieferumfang enthalten)

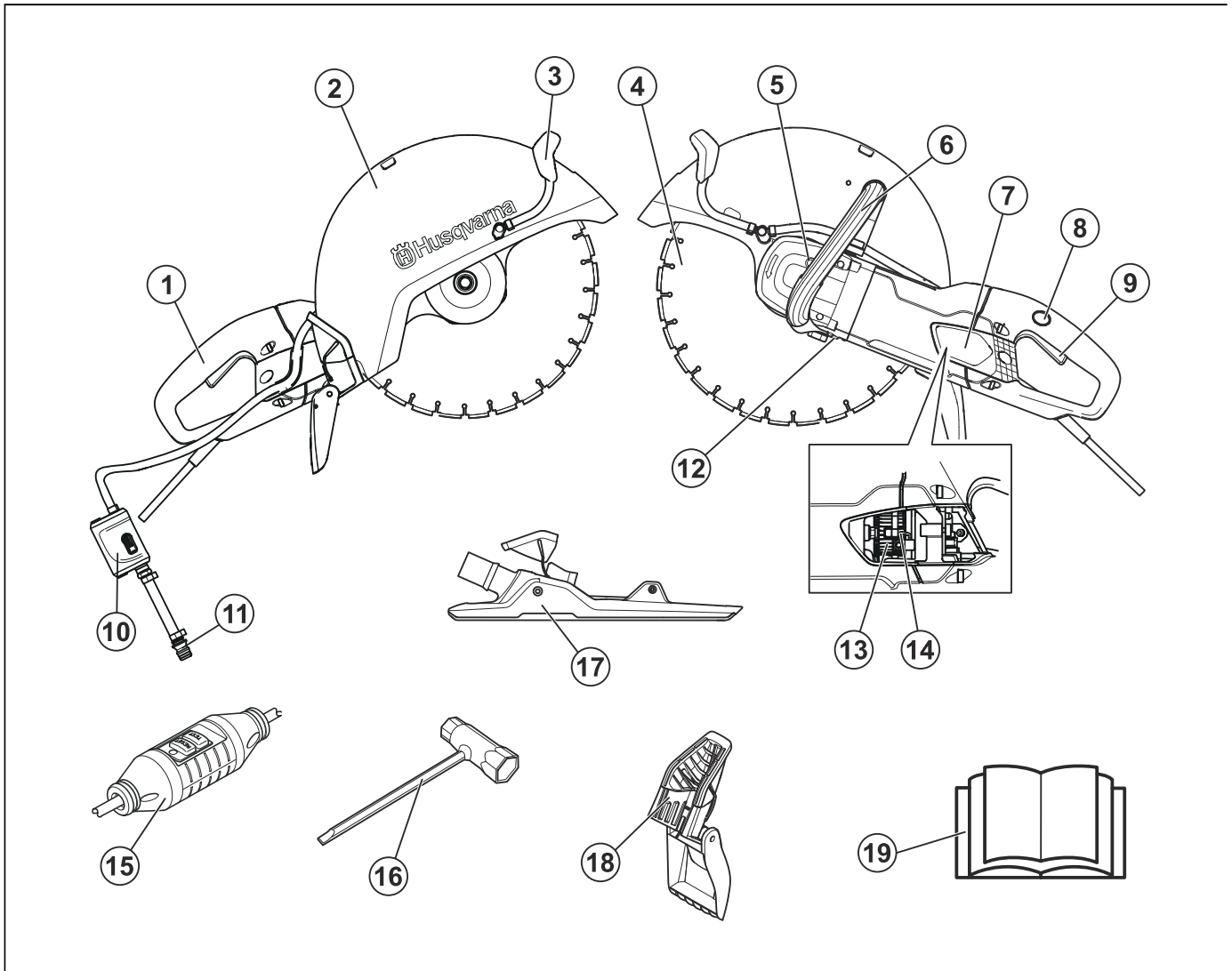
Dieses Zubehörteil kann einfach am Gerät befestigt und während des trockenen Trennschleifens mit dem Staubsauger bzw. der Staubabsauganlage verbunden werden.

Verwendungszweck

Dieses Produkt wurde zum Schneiden von Fliesen und Stein entwickelt. Jede andere Verwendung ist nicht zulässig.

Das Gerät ist ausschließlich für den industriellen Einsatz durch erfahrene Bediener vorgesehen.

Produktübersicht



1. Hinterer Handgriff
2. Klingenschutz
3. Wassereinheit
4. Trennscheibe (nicht im Lieferumfang enthalten)
5. Sicherung der Achse
6. Vorderer Handgriff
7. Inspektionsklappe
8. Schaltersperre
9. Schalter
10. Wasserhahn mit Flussbegrenzer
11. Wasseranschluss
12. Typenschild
13. Bürstenhalter
14. Kohlebürsten
15. Fehlerstromschutzschalter (nicht für Großbritannien und Irland)
16. Kombischlüssel
17. Sauganbaugerät (Zubehör, nicht im Lieferumfang enthalten)
18. Spritzschutz
19. Bedienungsanleitung

Symbole auf dem Produkt



WARNUNG! Das Gerät kann falsch oder nachlässig angewendet gefährlich sein und zu schweren oder gar lebensgefährlichen Verletzungen des Benutzers oder anderer Personen führen.



Lesen Sie die Bedienungsanleitung sorgfältig durch und machen Sie sich mit dem Inhalt vertraut, bevor Sie das Gerät benutzen.



Tragen Sie persönliche Schutzausrüstung. Siehe *Persönliche Schutzausrüstung auf Seite 82* für Anweisungen.



Dieses Produkt stimmt mit den geltenden CE-Richtlinien überein.



WARNUNG! Beim Schneiden bildet sich Staub, der beim Einatmen Gesundheitsschäden hervorrufen kann. Einen zugelassenen Atemschutz verwenden. Atmen Sie die Abgase nicht ein. Für gute Belüftung sorgen.



WARNUNG! Von der Trennscheibe erzeugte Funken können brennbares Material wie Benzin (Gas), Holz, Kleidung, trockenes Gras usw. entzünden.



WARNUNG! Rückschläge können plötzlich, schnell und sehr heftig sein und lebensbedrohliche Verletzungen hervorrufen. Lesen Sie und machen Sie sich mit dem Inhalt der Anleitung vertraut, bevor Sie das Produkt benutzen.



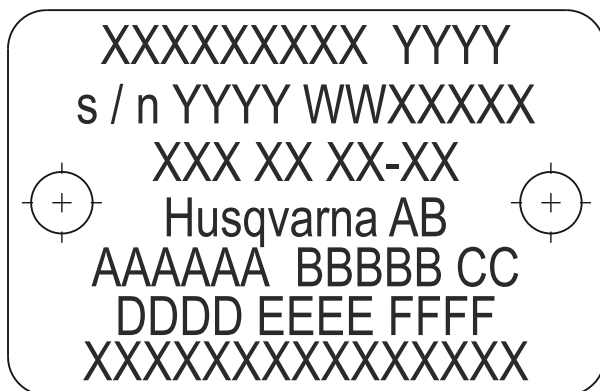
WARNUNG! Sicherstellen, dass die Klingen weder Risse noch andere Beschädigungen aufweisen.



WARNUNG! Verwenden Sie keine kreisrunden Sägeklingen.

Hinweis: Sonstige Symbole/Aufkleber am Gerät beziehen sich auf spezielle Zertifizierungsanforderungen, die in bestimmten Ländern gelten.

Typenschild



Reihe 1: Marke, Modell (X, Y)

Reihe 2: Seriennr. mit Herstellungsdatum (Y, W, X):
 Jahr, Woche, Folger.

Reihe 3: Produktnr. (X)

Reihe 4: Hersteller

Reihe 5: Antwort: Max. Drehzahl der Abtriebswelle, B:
 Durchmesser der Trennscheibe, C: Durchmesser der
 Klingenschraube

Reihe 6: D: Eingangsspannung, E: Eingangsstrom, F:
 Eingangsfrequenz

Reihe 7: Ursprungsland

Produkthaftung

Im Sinne der Produkthaftungsgesetze übernehmen wir keine Haftung für Schäden, die unser Gerät verursacht, wenn...

- das Gerät nicht ordnungsgemäß repariert wurde.
- das Gerät mit Teilen repariert wurde, die nicht vom Hersteller stammen oder vom Hersteller zugelassen sind.
- ein Zubehörteil mit dem Gerät verwendet wird, das nicht vom Hersteller stammt oder vom Hersteller zugelassen ist.
- das Gerät nicht bei einem autorisierten Service Center oder von einem zugelassenen Fachmann repariert wurde.

SICHERHEIT

Sicherheitsdefinitionen

Warnungen, Vorsichtsmaßnahmen und Hinweise werden verwendet, um auf besonders wichtige Teile der Bedienungsanleitung hinzuweisen.



WARNUNG: Wird verwendet, wenn bei Nichtbeachtung der Anweisungen in diesem Handbuch die Gefahr von Verletzung oder Tod des Bedieners oder anderer Personen besteht.



ACHTUNG: Wird verwendet, wenn bei Nichtbeachtung der Anweisungen in diesem Handbuch die Gefahr von Schäden am Produkt und/oder am Anbaugerät, an anderen Materialien oder in der Umgebung besteht.

Hinweis: Für weitere Informationen, die in bestimmten Situationen nötig sind.

Allgemeine Sicherheitshinweise

Es ist unmöglich, hier alle denkbaren Situationen zu beschreiben, die sich ereignen könnten. Stets vorsichtig vorgehen und mit gesundem Menschenverstand arbeiten. Wenn Sie in eine Situation geraten, in der Sie unsicher sind, sollten Sie einen Fachmann um Rat fragen. Fragen Sie Ihren Fachhändler, Ihre Servicewerkstatt oder einen erfahrenen Anwender. Vermeiden Sie jede Arbeit, für die Sie nicht ausreichend qualifiziert sind!

Hinweis: Bewahren Sie alle Warnhinweise und Anweisungen für spätere Referenzzwecke auf.



WARNUNG: Lesen Sie sämtliche Sicherheitshinweise und Anweisungen durch.



WARNUNG: Benutzen Sie nie ein Produkt mit defekter Sicherheitsausrüstung! Wenn Ihr Produkt diesen Anforderungen nicht entspricht, muss eine Servicewerkstatt aufgesucht werden.



WARNUNG: Lesen Sie die Bedienungsanleitung sorgfältig durch und machen Sie sich mit dem Inhalt vertraut, bevor Sie das Gerät benutzen. Vor der erstmaligen Benutzung des Produktes wird eine praktische Einweisung empfohlen.



WARNUNG: Denken Sie stets daran, dass Sie als Bediener für eventuell dadurch entstehende Sach- und Personenschäden verantwortlich sind.



WARNUNG: Das Gerät ist sauber zu halten. Die Lesbarkeit aller Schilder und Aufkleber muss gewährleistet werden.



WARNUNG: Das Gerät kann falsch oder nachlässig angewendet gefährlich sein und zu schweren oder gar lebensgefährlichen Verletzungen des Benutzers oder anderer Personen führen.



WARNUNG: Lassen Sie niemals Kinder oder nicht ausgebildete Personen das Produkt bedienen.



WARNUNG: Der Gebrauch des Produkts ist Personen (einschl. Kindern), die über eingeschränkte körperliche, sensorische oder geistige Fähigkeiten verfügen oder denen es an der erforderlichen Erfahrung und Kenntnissen mangelt, untersagt.



WARNUNG: Lassen Sie niemals jemand anderen das Produkt benutzen, ohne sich zu vergewissern, dass die Person den Inhalt der Bedienungsanleitung gelesen und verstanden hat.



WARNUNG: Verwenden Sie niemals das Gerät, wenn Sie müde sind, Alkohol getrunken oder Medikamente eingenommen haben, die Ihre Sehkraft, Urteilsvermögen oder Körperkontrolle beeinträchtigen können.



WARNUNG: Unzulässige Änderungen und/oder Zubehör können zu schweren oder tödlichen Verletzungen des Benutzers oder anderer Personen führen. Unter keinen Umständen darf die ursprüngliche Konstruktion des Gerätes ohne Genehmigung des Herstellers geändert werden.



WARNUNG: Das Gerät nicht so modifizieren, dass es nicht länger mit der Originalausführung übereinstimmt, und nicht benutzen, wenn es scheinbar von anderen modifiziert wurde.



WARNUNG: Arbeiten Sie niemals mit einem defekten Gerät. Die Kontroll-, Wartungs- und Serviceanweisungen in dieser Bedienungsanleitung sind genau zu befolgen. Gewisse Wartungs- und Servicemaßnahmen sind von geschulten, qualifizierten Fachleuten auszuführen. Siehe *WARTUNG auf Seite 95* für Anweisungen.



WARNUNG: Es ist immer Originalzubehör zu verwenden.



WARNUNG: Dieses Gerät erzeugt beim Betrieb ein elektromagnetisches Feld. Dieses Feld kann sich unter bestimmten Bedingungen auf die Funktionsweise aktiver oder passiver medizinischer Implantate

auswirken. Um die Gefahr von Situationen, die zu schweren oder tödlichen Verletzungen führen können, auszuschließen, sollten Personen mit einem medizinischen Implantat vor der Nutzung dieses Gerätes ihren Arzt und den Hersteller des Implantats konsultieren.

Sicherheitshinweise für die Montage



WARNUNG: Lesen Sie die folgenden Warnhinweise sorgfältig durch, bevor Sie das Produkt verwenden.



WARNUNG: Trennscheiben sind ausschließlich für das vorgesehene Material zu verwenden.



WARNUNG: Verwenden Sie keine Diamantklinge zum Schneiden von Kunststoff. Die hohe Hitzeentwicklung während des Schneidens kann dazu führen, dass der Kunststoff schmilzt und an der Trennscheibe klebt und es zu einem Rückschlag kommt.



WARNUNG: Während des Einsatzes können Diamantscheiben sehr heiß werden. Überhitzung an der Klinge entsteht als Folge unsachgemäßer Verwendung und kann zu Verformungen der Trennscheibe und damit zu Sach- und Personenschäden führen.



WARNUNG: Schleifscheiben können kaputtgehen und schwere Schäden oder Verletzungen verursachen.



WARNUNG: Der Hersteller der Trennscheibe gibt Warnungen und Empfehlungen für die Verwendung und die angemessene Pflege der Trennscheibe. Diese Warnhinweise sind im Lieferumfang der Trennscheibe enthalten. Lesen und befolgen Sie alle Anweisungen des Trennscheiben-Herstellers.



WARNUNG: Die Trennscheibe sollte vor der Montage auf der Säge und in regelmäßigen Abständen während der Benutzung überprüft werden. Auf Risse, verlorene Segmente (Diamantklingen) oder abgebrochene Teile prüfen. Keine schadhafte Trennscheibe verwenden.



WARNUNG: Korrekten Zustand jeder neuen Trennscheibe durch Betrieb bei Vollgas (ca. 1 Minute) kontrollieren.



WARNUNG: Verwenden Sie niemals eine Trennscheibe, deren Höchstdrehzahl niedriger ist als die des Trennschleifers. Verwenden Sie ausschließlich Trennscheiben, die für handgeführte Hochgeschwindigkeits-Trennschleifer geeignet sind.



WARNUNG: Schleifscheiben dürfen nicht mit Wasser in Berührung kommen. Nässe oder Feuchtigkeit können die Leistung von Schleifscheiben beeinträchtigen und erhöhen die Bruchgefahr.



WARNUNG: Verwenden Sie ausschließlich Trennscheiben, die mit nationalen und regionalen Standards/Vorschriften, z. B. EN 13236 und EN 12413 oder ANSI B7.1, übereinstimmen.



WARNUNG: Beim Schneiden von Metall entstehen Funken, die einen Brand verursachen können. Verwenden Sie das Gerät nicht in der Nähe von brennbaren Materialien oder Gasen.



WARNUNG: Das Zubehörteil darf nicht mit Hartmetall in Berührung kommen.



WARNUNG: Verwenden Sie niemals gezahnte Klingen wie Holzsägeblätter, gezahnte Kreissägeblätter, Hartmetallsägeblätter oder ähnliches. Die Rückschlaggefahr ist dabei erheblich höher. Dabei können außerdem Bruchstücke auf den Bediener bei hoher Geschwindigkeit geschleudert werden. Unachtsamkeit kann zu schweren Verletzungen bis hin zum Tod führen.



WARNUNG: Nach den staatlichen Bestimmungen ist für Klingen mit Karbidspitzen eine andere Art von Schutz erforderlich, der für Trennschleifer nicht verfügbar ist – ein 360-Grad-Schutz. Für Trennschleifer (diese Säge) werden Schleif- oder Diamantklingen verwendet. Sie verfügen über ein anderes Schutzsystem, das keinen Schutz gegen die Gefahren von Holzsägeblättern bietet.

Hinweis: Das Zubehörteil darf nicht mit Schleifscheiben in Berührung kommen. Der Gebrauch von Schleifscheiben führt zu übermäßigem Verschleiß des Zubehörteils.

Sicherheitshinweise für den Betrieb

Sicherheit im Arbeitsbereich



WARNUNG: Der Sicherheitsabstand für den Trennschleifer beträgt 15 Meter. Sie sind dafür verantwortlich, dass sich keine Zuschauer oder Tiere im Arbeitsbereich befinden. Erst mit dem Schneiden beginnen, wenn der Arbeitsbereich frei ist und Sie sicher stehen.

- Sorgen Sie für einen sauberen und gut ausgeleuchteten Arbeitsbereich.
- Betreiben Sie Elektrowerkzeuge niemals an Orten, an denen Explosionsgefahr besteht, z. B. in der Nähe von leicht entzündlichen Flüssigkeiten, Gasen oder Staubansammlungen.
- Sorgen Sie bei der Arbeit mit Elektrowerkzeugen dafür, dass sich keine Kinder oder unbefugte Personen in der Nähe befinden.
- Überprüfen Sie Ihre Umgebung auf mögliche Störquellen hin, die Ihre Aufmerksamkeit ablenken könnten.
- Es dürfen keine Personen oder Gegenstände in Berührung mit der Schneidausrüstung kommen oder von Teilen getroffen werden können, die von der Trennscheibe umhergeschleudert werden.
- Verwenden Sie das Gerät niemals bei schlechtem Wetter, z. B. bei dichtem Nebel, starkem Regen, starkem Wind, großer Kälte usw. Das Arbeiten bei schlechtem Wetter ist sehr ermüdend und kann gefährliche Umstände herbeiführen, z. B. Rutschgefahr.
- Beginnen Sie niemals mit der Arbeit, bevor der Arbeitsbereich frei ist und Sie einen sicheren Stand haben. Achten Sie auf eventuelle Hindernisse, die im Wege sein können, wenn Sie sich plötzlich bewegen müssen.
- Stellen Sie sicher, dass kein Material herunterfallen und den Betreiber verletzen kann. Beim Arbeiten auf abschüssigem Boden müssen Sie immer sehr vorsichtig sein.
- Sorgen Sie dafür, dass der Arbeitsbereich ausreichend beleuchtet ist, damit Sie sicher arbeiten können.
- Stellen Sie außerdem sicher, dass weder unter dem Arbeitsbereich noch im Schneidegut Versorgungsleitungen verlegt sind.
- Beim Schneiden in Behälter (Trommel, Rohr o. ä.) sicherstellen, dass dieser Behälter kein brennbares oder anderweitig flüchtiges Material enthält.

Elektrische Sicherheit



WARNUNG: Das Produkt (Großbritannien und Irland 110V) ist nicht mit einem Fehlerstromschutzschalter ausgestattet. Zum Schutz vor elektrischen Fehlern muss sie immer mit einem Trenntransformator verwendet werden.



WARNUNG: Die Maschine nicht mit Wasser reinigen, da dies in das elektrische System oder den Motor eindringen und so Maschinenschäden oder einen Kurzschluss auslösen kann.

- **Die Netzstecker von Elektrowerkzeugen müssen zur Steckdose passen. Der Netzstecker darf in keiner Weise verändert werden. Verwenden Sie bei Elektrowerkzeugen mit Schutzkontakt (geerdet) niemals Adapterstecker.** Stecker im Originalzustand und passende Steckdosen reduzieren die Gefahr von elektrischen Schlägen.
- **Vermeiden Sie Körperkontakt mit geerdeten Gegenständen wie Rohrleitungen, Heizungen, Herden oder Kühlschränken.** Bei Körperkontakt mit geerdeten Gegenständen besteht ein erhöhtes Stromschlagrisiko.
- **Setzen Sie das Elektrowerkzeug niemals Regen oder sonstiger Feuchtigkeit aus.** Wenn Wasser in ein Elektrowerkzeug eindringt, erhöht sich das Stromschlagrisiko.
- **Verwenden Sie das Anschlusskabel nicht missbräuchlich. Verwenden Sie das Anschlusskabel niemals zum Tragen oder Heranziehen des Elektrowerkzeugs, und ziehen Sie den Stecker nicht am Anschlusskabel aus der Steckdose. Halten Sie das Kabel fern von Hitzequellen, Öl, scharfen Kanten und beweglichen Teilen.** Beschädigte oder verdrehte Anschlusskabel erhöhen das Stromschlagrisiko.
- **Wenn Sie ein Elektrowerkzeug im Freien benutzen, verwenden Sie ein für den Außeneinsatz geeignetes Verlängerungskabel.** Die Verwendung eines für den Außeneinsatz geeigneten Kabels verringert das Risiko eines Stromschlags.
- **Falls der Einsatz eines Elektrowerkzeugs in einer feuchten Umgebung nicht zu vermeiden ist, benutzen Sie ein Gerät mit Fehlerstrom-Schutzeinrichtung (RCD). Die Verwendung eines FI-Schutzschalters verringert das Risiko eines Stromschlags.**
- Kontrollieren, ob Kabel und Verlängerungskabel intakt und in gutem Zustand sind. Das Gerät nicht benutzen, wenn das Kabel beschädigt ist, sondern zur Reparatur in eine autorisierte Servicewerkstatt geben.
- Verwenden Sie keine aufgewickelten Verlängerungskabel, um die Überhitzungsgefahr zu verringern.

- Achten Sie bei der Verwendung eines Verlängerungskabels darauf, dass nur ein geprüftes Kabel mit ausreichender Reichweite verwendet wird. Weitere Informationen finden Sie im Abschnitt *Technische Daten auf Seite 99*. Ein ungeeignetes Kabel könnte zu verminderter Maschinenleistung und Überhitzung führen.
- Das Gerät muss an eine geerdete Steckdose angeschlossen werden. Kontrollieren, ob die Netzspannung mit der auf dem Geräteschild angegebenen übereinstimmt.
- Darauf achten, dass das Kabel bei der Arbeit hinter Ihnen liegt, damit es nicht beschädigt werden kann.

Persönliche Sicherheit

- **Bleiben Sie aufmerksam, achten Sie auf das, was Sie tun, und setzen Sie gesunden Menschenverstand ein, wenn Sie mit Elektrowerkzeugen arbeiten. Benutzen Sie keine Elektrowerkzeuge, wenn Sie müde sind oder unter dem Einfluss von Drogen, Alkohol oder Medikamenten stehen.** Bei der Arbeit mit Elektrowerkzeugen können bereits kurze Phasen der Unaufmerksamkeit zu schweren Verletzungen führen.
- **Benutzen Sie eine persönliche Schutzausrüstung. Tragen Sie stets einen Augenschutz.** Schutzausrüstung wie Atemschutzmaske, rutschsichere Sicherheitsschuhe, Schutzhelm und Gehörschutz senkt bei angemessenem Einsatz das Verletzungsrisiko.
- Verhindern Sie ein unvorhergesehenes Starten. Stellen Sie vor dem Anschließen sicher, dass sich der Schalter in der Aus-Stellung befindet.
- **Vermeiden Sie ein versehentliches Starten. Achten Sie darauf, dass sich der Schalter in der Aus-Stellung befindet, bevor Sie das Elektrowerkzeug an die Stromversorgung und/oder den Akku anschließen oder es hochheben oder herumtragen.** Durch Herumtragen von Elektrowerkzeugen mit dem Finger am Schalter oder das Einstecken des Steckers bei betätigtem Schalter kann es zu Unfällen kommen.
- **Entfernen Sie sämtliche Einstellschlüssel, bevor Sie das Elektrowerkzeug einschalten.** Ein an einem beweglichen Teil des Elektrowerkzeugs angebrachter Schlüssel kann zu Verletzungen führen.
- **Sorgen Sie für einen festen Stand. Achten Sie jederzeit darauf, sicher zu stehen und das Gleichgewicht zu bewahren.** Dadurch haben Sie das Elektrowerkzeug in unerwarteten Situationen besser im Griff.
- **Kleiden Sie sich richtig. Tragen Sie niemals lose sitzende Kleidung oder Schmuck. Halten Sie Haar, Kleidung und Handschuhe von beweglichen Teilen fern.** Lose Kleidung, Schmuck oder langes Haar kann von beweglichen Teilen erfasst werden.
- **Wenn Anschlüsse für Staubabsaug- und Staubsammelvorrichtungen vorhanden sind, sorgen**

Sie dafür, dass diese richtig angeschlossen und eingesetzt werden. Das Absaugen von Staub vermindert durch Staub verursachte Gefahren.

- Stets Abstand zu den Klingen halten, wenn der Motor läuft.
- Personen mit Blutkreislaufstörungen, die zu oft Vibrationen ausgesetzt werden, laufen Gefahr, Schäden an den Blutgefäßen oder am Nervensystem davonzutragen. Gehen Sie zum Arzt, wenn Sie an Ihrem Körper Symptome feststellen, die darauf hinweisen, dass Sie übermäßigen Vibrationen ausgesetzt waren. Beispiele für solche Symptome sind: Einschlafen von Körperteilen, Gefühlsverlust, Jucken, Stechen, Schmerzen, Verlust oder Beeinträchtigung der normalen Körperkraft, Veränderungen der Hautfarbe oder der Haut. Diese Symptome treten üblicherweise in Fingern, Händen und Handgelenken auf. Bei niedrigen Temperaturen können sich diese Symptome verstärken.

Persönliche Schutzausrüstung



WARNUNG: Produkte wie Fräsmaschinen, Schleifmaschinen und Bohrer, die Material abschleifen oder umformen, können Staub und Dämpfe verursachen, die gefährliche Chemikalien enthalten können. Überprüfen Sie die Beschaffenheit des Materials, das Sie bearbeiten wollen, und verwenden Sie einen geeigneten Atemschutz.



WARNUNG: Tragen Sie stets einen zugelassenen Gehörschutz. Eine längerfristige Beschallung mit Lärm kann zu bleibenden Gehörschäden führen. Achten Sie immer genau auf Warnsignale oder Rufe, wenn Sie den Gehörschutz tragen. Nehmen Sie den Gehörschutz immer ab, sobald der Motor abgestellt ist.



WARNUNG: Es besteht immer ein Quetschungsrisiko bei der Arbeit mit Produkten mit beweglichen Teilen. Vermeiden Sie Verletzungen, indem Sie Schutzhandschuhe tragen.



WARNUNG: Beim Betrieb des Produktes können Funken einen Brand verursachen. Deshalb soll die Feuerlöschschrüstung stets in Reichweite aufbewahrt werden.

Bei der Benutzung des Produktes muss die vorgeschriebene persönliche Schutzausrüstung getragen werden. Die persönliche Schutzausrüstung beseitigt nicht die Unfallgefahr, begrenzt aber den Umfang der Verletzungen und Schäden. Bei der Wahl der Schutzausrüstung einen Fachhändler um Rat fragen.

Benutzen Sie immer:

- Zugelassener Schutzhelm.
- Gehörschutz.
- Einen zugelassenen Augenschutz. Bei der Benutzung eines Gesichtsschutzes ist auch eine zugelassene Schutzbrille zu tragen. Zugelassene Schutzbrillen sind in diesem Falle diejenigen, die die Normen ANSI Z87.1 für die USA bzw. EN 166 für EU-Länder erfüllen. Visiere müssen der Norm EN 1731 entsprechen.
- Zugelassener Atemschutz.
- Schutzhandschuhe.
- Feste, griffsichere Handschuhe.
- Eng anliegende, kräftige und bequeme Kleidung tragen, die volle Bewegungsfreiheit gewährt. Durch Schneiden werden Funken erzeugt, die Ihre Kleidung entzünden können. Husqvarna empfiehlt das Tragen von feuerfester Baumwolle oder schwerem Jeansstoff. Tragen Sie keine Kleidung aus Materialien wie Nylon, Polyester oder Viskose. Im Falle einer Entzündung kann dieses Material schmelzen und an der Haut kleben bleiben. Tragen Sie keine kurzen Hosen.
- Stiefel mit Stahlkappe und rutschfester Sohle.

Ein Erste-Hilfe-Set und eine Feuerlösch-ausrüstung sollten immer griffbereit sein.

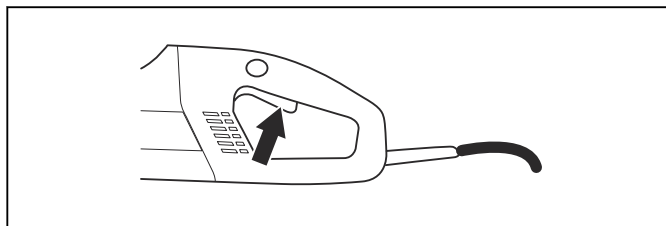
Sicherheitsvorrichtungen am Gerät



WARNUNG: Lesen Sie die folgenden Warnhinweise sorgfältig durch, bevor Sie das Produkt verwenden.

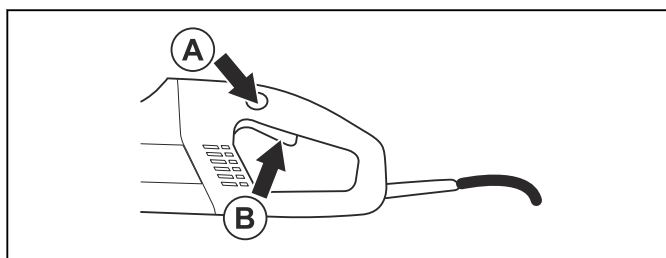
Schalter

Drücken Sie den Schalter, um den Trennschleifer zu starten und lassen Sie den Schalter los, um den Trennschleifer zu stoppen.



Schaltersperre

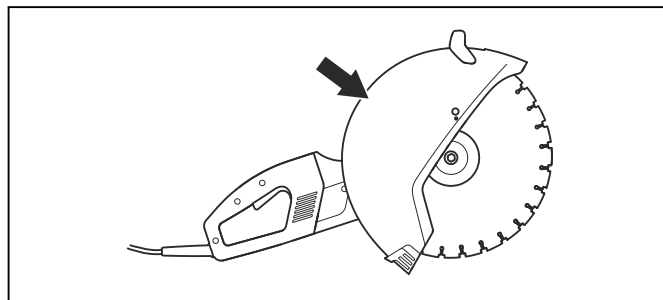
Die Schaltersperre ist dafür konstruiert, eine unbeabsichtigte Aktivierung des Schalters zu verhindern. Drücken Sie die Schaltersperre (A), um den Schalter (B) zu entriegeln.



Die Schaltersperre bleibt entriegelt, solange der Schalter entriegelt ist. Lässt man den Handgriff los, werden sowohl Schalter als auch Schaltersperre rückgestellt. Dies geschieht mit Hilfe von zwei voneinander unabhängigen Rückzugfedersystemen. In dieser Lage bleibt das Gerät stehen und der Schalter wird gesperrt.

Klingenschutz

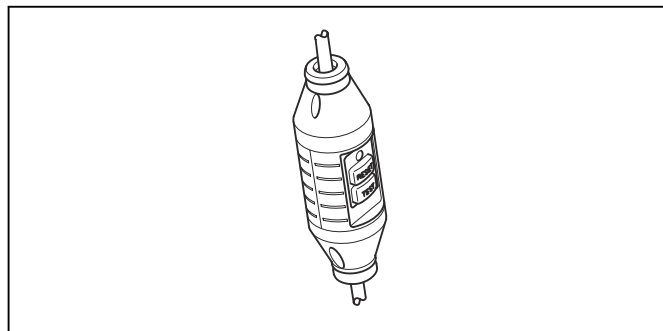
Diese Schutzvorrichtung sitzt über der Trennscheibe und verhindert, dass Splitter der Trennscheibe oder des geschnittenen Materials auf den Bediener geschleudert werden.



Fehlerstromschutzschalter

Fehlerstromschutzschalter dienen zum Schutz vor elektrischen Fehlern.

Die LED zeigt an, dass der Fehlerstromschutzschalter eingeschaltet ist und dass die Maschine eingeschaltet werden kann. Wenn die LED nicht leuchtet, drücken Sie die RESET-Taste (grün).



Sicherheitshinweise für die Wartung



WARNUNG: Der Bediener darf nur die Wartungs- und Servicearbeiten ausführen, die in dieser Bedienungsanleitung beschrieben sind. Größere Eingriffe sind von einer autorisierten Servicewerkstatt auszuführen.



WARNUNG: Das Gerät muss nach dem Betrieb ausgeschaltet werden. Der Stoppschalter wird dazu in die Position STOP gebracht.



WARNUNG: Tragen Sie persönliche Schutzausrüstung. Siehe *Persönliche Schutzausrüstung auf Seite 82*.

Reparaturen nicht fachmännisch ausgeführt werden. Weitere Informationen erteilt Ihnen gern die nächste Servicewerkstatt.



WARNUNG: Die Lebensdauer des Produkts kann verkürzt werden und die Unfallgefahr kann steigen, wenn die Wartung des Geräts nicht ordnungsgemäß und Service und/oder



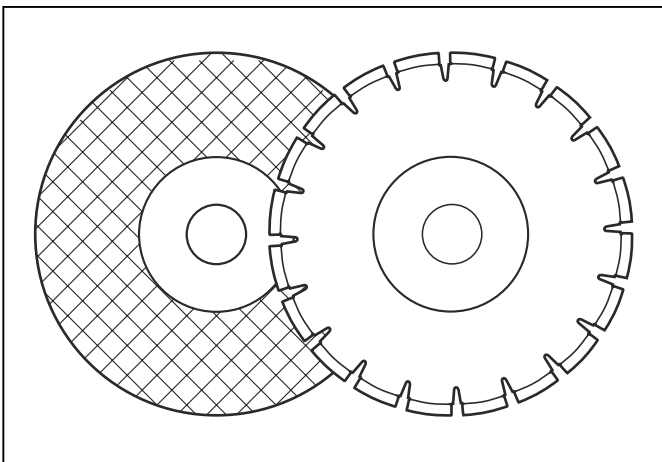
ACHTUNG: Ihr Husqvarna Fachhändler sollte das Produkt regelmäßig überprüfen und notwendige Einstellungen und Reparaturen vornehmen.

MONTAGE

Trennscheiben

Die Trennscheiben von Husqvarna sind Hochdrehzahltrennscheiben, die für handgeführte Trennschleifer zugelassen sind.

- Trennscheiben gibt es in zwei Grundausführungen: Schleifscheiben und Diamantscheiben.



- Trennscheiben von hoher Qualität sind oftmals die wirtschaftlichste Alternative.
- Trennscheiben von geringer Qualität haben oft ein schlechteres Schneidvermögen und eine kürzere Lebensdauer, was zu höheren Kosten im Verhältnis zum geschnittenen Material führt.
- Darauf achten, dass für die Trennscheibe jeweils die richtige Buchse montiert wird. Anleitungen finden Sie unter *Montage der Trennscheibe auf Seite 88*.

Geeignete Trennscheiben

Trennscheiben	K 4000	K 4000 with a Vac attachment
Schleifscheiben	Ja*	Nein
Diamantscheiben	Ja	Ja
Gezahnte Klitten	Nein	Nein
*Ohne Wasser.		

Weitere Informationen finden Sie unter *Technische Daten auf Seite 99*.

Trennscheiben für diverse Werkstoffe



WARNUNG: Trennscheiben sind ausschließlich für das vorgesehene Material zu verwenden.



WARNUNG: Verwenden Sie keine Diamantklinge zum Schneiden von Kunststoff. Die hohe Hitzeentwicklung während des Schneidens kann dazu führen, dass der Kunststoff schmilzt und an der Trennscheibe klebt und es zu einem Rückschlag kommt.



WARNUNG: Beim Schneiden von Metall entstehen Funken, die einen Brand verursachen können. Verwenden Sie das Produkt nicht in der Nähe von brennbaren Materialien oder Gasen.



WARNUNG: Das Zubehörteil darf nicht mit Hartmetall in Berührung kommen.

- Der mitgelieferten Anleitung entnehmen Sie, für welche Zwecke die Trennscheibe geeignet ist. Bei Fragen setzen Sie sich mit Ihrem Händler in Verbindung.

	Beton	Metall	Plastik	Gusseisen
Schleifscheiben*	X	X*	X	X
Diamantscheiben	X	X**	----	X**

*Ausschließlich ohne Sauganbaugerät.

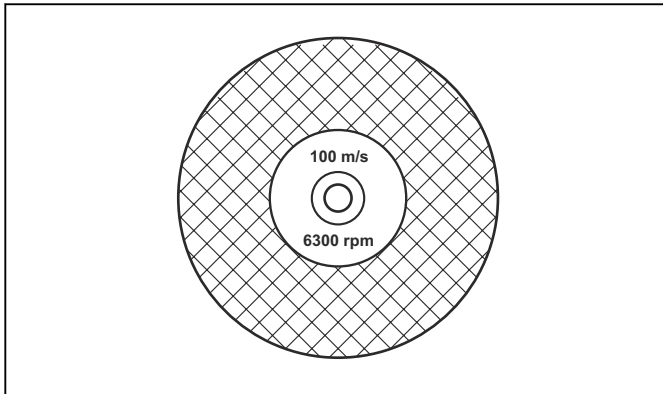
**Nur Spezialklingen. Ausschließlich ohne Sauganbaugerät.

Trennscheiben für handgeführte Hochgeschwindigkeits-Trennschleifer



WARNUNG: Verwenden Sie niemals eine Trennscheibe, deren Höchstdrehzahl niedriger ist als die des Trennschleifers. Verwenden Sie ausschließlich Trennscheiben, die mit nationalen und regionalen Standards, z. B. EN 13236 und EN 12413 oder ANSI B7.1, übereinstimmen.

- Viele Trennscheiben, die auf diesen Trennschleifer passen, sind für stationäre Sägen gedacht und haben eine Nenndrehzahl, die für diese handgeführte Säge zu niedrig ist. Trennscheiben mit einer niedrigeren Nenndrehzahl dürfen in dieser Säge nicht verwendet werden.
- Trennscheiben von Husqvarna sind für handgeführte Trennschleifer mit hoher Drehzahl vorgesehen.
- Trennscheiben müssen mit der gleichen oder einer höheren Drehzahl als derjenigen gekennzeichnet sein, die auf dem Typenschild des Geräts angegeben ist.



Trennscheibenvibrationen

- Die Scheibe kann unrund werden und vibrieren, wenn ein zu hoher Druck ausgeübt wird.
- Ein niedrigerer ausgeübter Druck kann die Vibration mindern. Tauschen Sie andernfalls die Scheibe aus.

Schleifscheiben



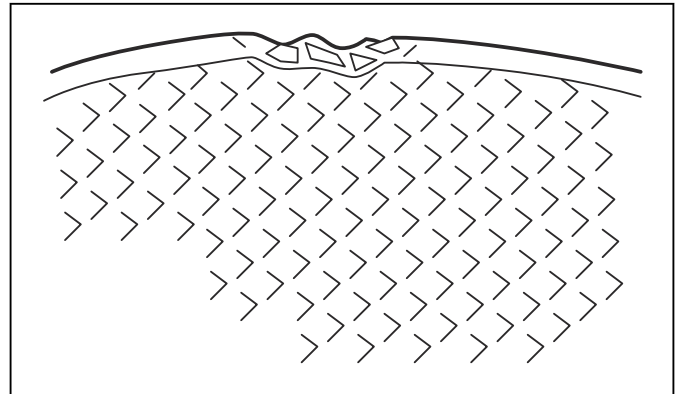
WARNUNG: Schleifscheiben dürfen nicht mit Wasser in Berührung kommen. Nässe oder Feuchtigkeit können die Leistung von Schleifscheiben beeinträchtigen und erhöhen die Bruchgefahr.



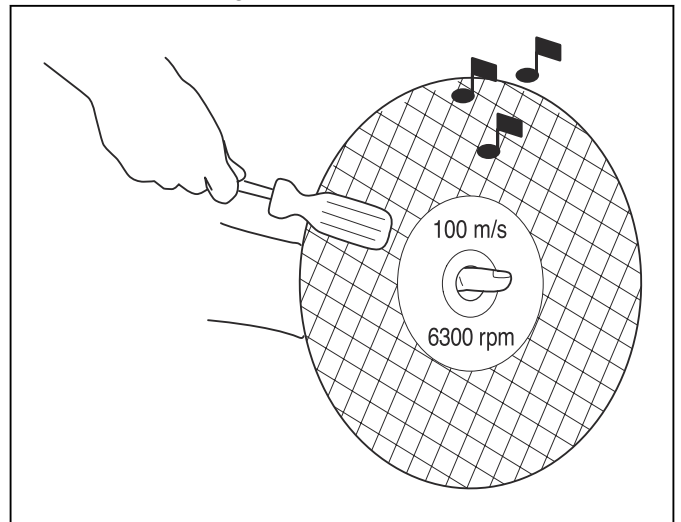
ACHTUNG: Das Zubehörteil darf nicht mit Schleifscheiben verwendet werden. Der Gebrauch von Schleifscheiben führt zu übermäßigem Verschleiß des Zubehörteils.

- Verwenden Sie keine verschlissenen verstärkten Räder von größeren elektrischen Geräten. Räder, die für größere Elektrogeräte vorgesehen sind, eignen sich nicht für die höhere Drehzahl kleinerer Werkzeuge und können brechen.

- Das schneidende Material in den Schleifscheiben besteht aus Schleifkörnern, die durch organische Bindemittel zusammengehalten werden. Die materialverstärkten Trennscheiben sind auf Textil- oder Faserbasis aufgebaut, die ein totales Zerspringen bei Höchstdrehzahl verhindert, wenn die Trennscheibe reißt oder beschädigt wird.
- Die Leistung der Trennscheibe hängt von Typ und Größe der Schleifpartikel und von Typ und Härte des Bindematerials ab.
- Kontrollieren Sie die Trennscheibe auf Beschädigungen und Risse.



- Prüfen Sie die Schleifscheibe, indem Sie sie auf einen Finger hängen und mit einem Schraubenziehergriff o. Ä. leicht dagegen schlagen. Erzeugt die Scheibe keinen vollen, klingenden Ton, ist sie beschädigt.



- Stellen Sie sicher, dass die richtige Schleifscheibe für das vorgesehene Material verwendet wird.

Messerausführung	Material
Beton	Beton, Asphalt, Stein, Mauerwerk, Gusseisen, Aluminium, Kupfer, Messing, Kabel, Gummi, Kunststoff usw.
Metall	Stahl, Stahllegierungen und andere harte Metalle.

Diamantscheiben



WARNUNG: Verwenden Sie keine Diamantklinge zum Schneiden von Kunststoff. Die hohe Hitzeentwicklung während des Schneidens kann dazu führen, dass der Kunststoff schmilzt und an der Trennscheibe klebt und es zu einem Rückschlag kommt.



WARNUNG: Während des Einsatzes können Diamantscheiben sehr heiß werden. Überhitzung an der Klinge entsteht als Folge unsachgemäßer Verwendung und kann zu Verformungen der Trennscheibe und damit zu Sach- und Personenschäden führen.

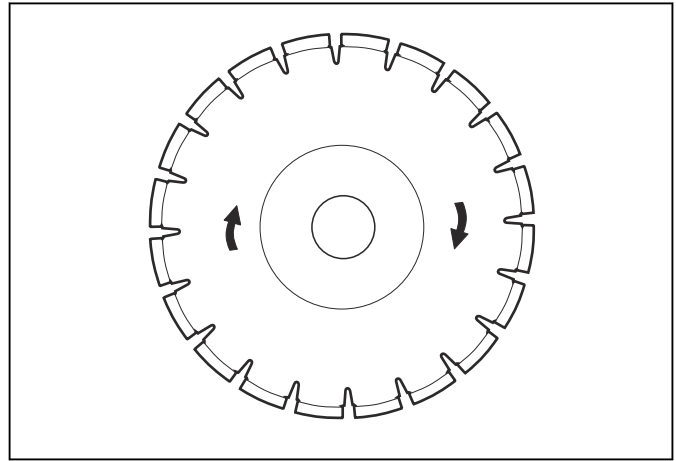


WARNUNG: Beim Schneiden von Metall entstehen Funken, die einen Brand verursachen können. Verwenden Sie das Produkt nicht in der Nähe von brennbaren Materialien oder Gasen.

Hinweis: Diamantklingen sind in mehreren Härtegraden erhältlich.

Hinweis: Die Klinge durch Schneiden in einem weichen Material wie Sand- oder Ziegelstein schärfen.

- Immer eine scharfe Diamantscheibe benutzen.
- Diamantscheiben können stumpf werden, wenn der falsche Druck ausgeübt oder wenn damit bestimmtes Material wie beispielsweise stark armerter Beton geschnitten wird. Die Arbeit mit einer stumpfen Diamantscheibe führt zu Überhitzung, die dazu führen kann, dass sich Diamantsegmente lösen.
- Diamantscheiben bestehen aus einem Stahlkörper mit Segmenten mit Industriediamanten.
- Diamantscheiben werden vorzugsweise für alle Arten von Mauerwerk, armertem Beton und andere zusammengesetzte Materialien verwendet.
- Diamantklingen sorgen für niedrigere Kosten pro Schneidvorgang, selteneren Klingenaustausch und konstante Schnitttiefe.
- Beim Schneiden von Metall sollen Spezialklingen eingesetzt werden. Bei der Wahl des richtigen Produkts einen Fachhändler um Rat fragen.
- Stellen Sie bei Nutzung einer Diamantscheibe sicher, dass diese in die Richtung rotiert, die der Pfeil auf der Scheibe angibt.



Diamantklingen für den Trockenschnitt

- Diamantklingen für trockenes Trennschleifen können sowohl mit als auch ohne Wasserkühlung verwendet werden.
- Beim Trockenschnitt kann man die Scheibe abkühlen lassen, indem man sie nach jeweils 30 - 60 Sek. einfach aus der Nut zieht und zum Abkühlen ca. 10 Sek. in der Luft rotieren lässt. Andernfalls überhitzt die Klinge.

Diamantklingen für den Nassschnitt

Hinweis: Verwenden Sie kein Sauganbaugerät beim Nassschneiden. Nasse Betonabfälle verringern die Saugleistung des Zubehörs erheblich.

- Diamantklingen für den Nassschnitt müssen mit Wasser gekühlt werden. Andernfalls könnte die Klinge überhitzt werden.
- Wasser kühlt die Klinge und verlängert ihre Lebensdauer, während es gleichzeitig die Staubbildung reduziert.
- Die Wasserkühlung wird beim Schneiden von Beton verwendet und kühlt die Trennscheibe, wodurch sich ihre Lebensdauer verlängert und die Staubbildung reduziert wird. Zu den Nachteilen zählen Probleme bei sehr niedrigen Temperaturen, Gefahren für Schäden an Fußböden und anderen Bauelementen sowie Rutschgefahr.

Diamanttrennscheibe – Seitenspiel



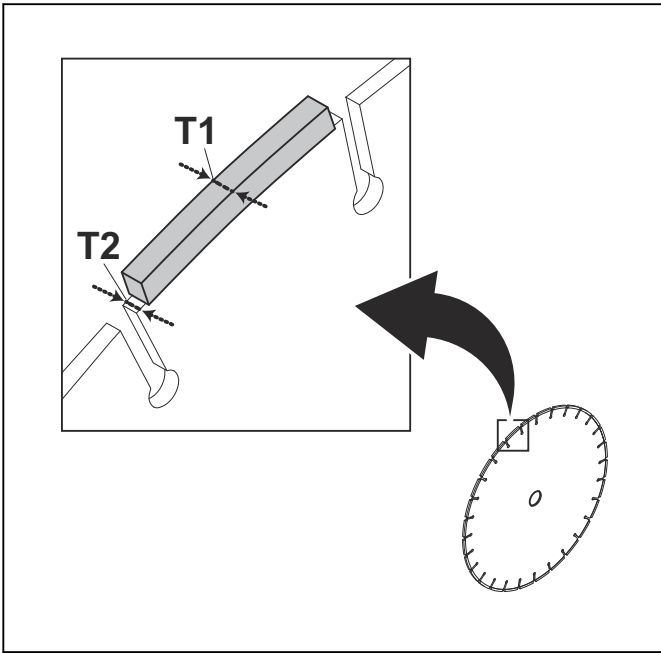
WARNUNG: Prüfen Sie, ob das Diamantsegment (T1) breiter ist als der Trennscheibenkern (T2), damit sich die Trennscheibe nicht im Schnittspalt festfrisst und es keinen Rückschlag gibt.

Ersetzen Sie die Trennscheibe, bevor sie vollständig verschlissen ist.



ACHTUNG: In bestimmten Situationen oder mit schlechter Klinge kann es zu

übermäßigem Verschleiß der Segmente kommen.



Einige Husqvarna-Klingen sind mit einem seitlichen Verschleißindikator ausgestattet, mit dem die Lebensdauer einer Trennscheibe einfacher bestimmt werden kann.

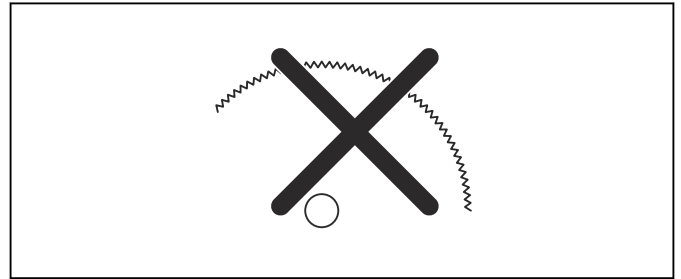
Gezahnte Klingen



WARNUNG: Verwenden Sie niemals gezahnte Klingen wie Holzsägeblätter, gezahnte Kreissägeblätter, Hartmetallsägeblätter oder ähnliches. Die Rückschlaggefahr ist dabei erheblich höher. Dabei können außerdem Bruchstücke auf den Bediener bei hoher Geschwindigkeit geschleudert werden. Unachtsamkeit kann zu schweren Verletzungen bis hin zum Tod führen.



WARNUNG: Nach den staatlichen Bestimmungen ist für Klingen mit Karbidspitzen eine andere Art von Schutz erforderlich, der für Trennschleifer nicht verfügbar ist – ein 360-Grad-Schutz. Für Trennschleifer (diese Säge) werden Schleif- oder Diamantscheiben verwendet. Sie verfügen über ein anderes Schutzsystem, das keinen Schutz gegen die Gefahren von Holzsägeblättern bietet.



Die Verwendung dieses Trennschleifers mit einer Hartmetallklinge verstößt gegen die während der Arbeit geltenden Sicherheitsvorschriften.

Aufgrund der Gefährlichkeit und Dringlichkeit von Brandbekämpfungs- und Rettungseinsätzen, die von vielen verschiedenen, hochqualifizierten Rettungskräften (Feuerwehr) durchgeführt werden, ist Husqvarna sich darüber bewusst, dass dieser Trennschleifer in bestimmten Notsituationen von Rettungskräften mit Klingen mit Karbidspitzen eingesetzt wird, da diese Klingen viele verschiedene Materialien schneiden können und dadurch das zeitaufwändige Wechseln der Trennscheiben oder Maschinen entfällt. Bei der Verwendung dieses Trennschleifers ist immer zu beachten, dass die Rückschlaggefahr bei Klingen mit Karbidspitzen bei unsachgemäßer Verwendung größer ist als bei Schleif- oder Diamantklingen. Bei Klingen mit Karbidspitzen besteht ferner die Gefahr von umherfliegenden Materialteilen.

Daher sollte ein Trennschleifer niemals mit einer Klinge mit Karbidspitzen verwendet werden, außer von hochqualifizierten Rettungskräften, die sich der Gefahren der Verwendung bewusst sind, und nur in dringenden Situationen, wenn andere Werkzeuge für Brandbekämpfungs- oder Rettungseinsätze als ineffizient und wirkungslos erachtet werden. Ein Trennschleifer mit einer Klinge mit Karbidspitzen darf niemals außerhalb von Rettungseinsätzen zum Schneiden von Holz eingesetzt werden.

Prüfen der Spindelwelle und der Flanschscheiben

Prüfen Sie die Flanschscheiben und die Spindelwelle, wenn die Trennscheibe ersetzt wird.



ACHTUNG: Verwenden Sie nur die von Husqvarna mitgelieferten Flanschscheiben, mit min. Durchmesser 105 mm.



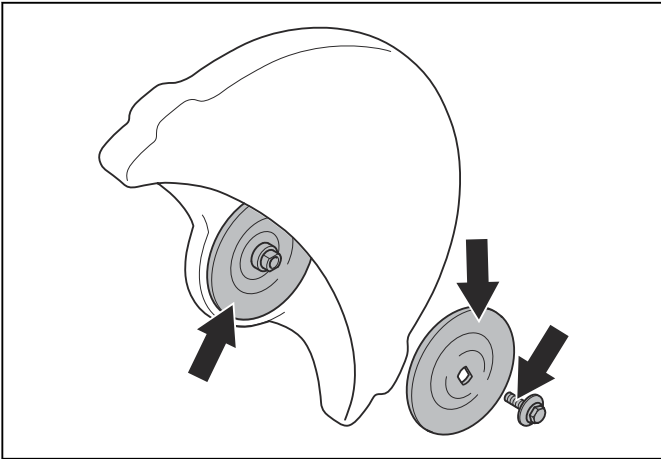
ACHTUNG: Keine schiefen, beschädigten oder schmutzigen Flanschscheiben verwenden.



ACHTUNG: Keine Flanschscheiben mit unterschiedlichen Durchmessern verwenden.

1. Stellen Sie sicher, dass die Gewinde der Spindelwelle unbeschädigt sind.

2. Stellen Sie sicher, dass die Kontaktflächen der Klinge und die Flanschscheiben unbeschädigt und sauber sind, die korrekten Maße besitzen und ordnungsgemäß auf der Spindelwelle arbeiten.



Prüfen der Trennscheibenbuchse

Stellen Sie sicher, dass die Trennscheibenbuchsen auf das mittlere Loch der Trennscheibe ausgerichtet sind.

Das Produkt wird entweder mit einer festen Buchse geliefert, oder mit einer Buchse, die umgedreht werden kann, um auf die 20 mm- oder die 25,4 mm-Löcher zu passen.

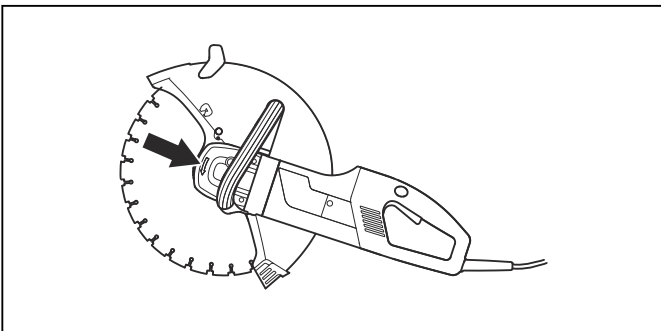
- Stellen Sie sicher, dass die Buchse an der Spindelwelle des Geräts dem mittleren Loch an der Trennscheibe entspricht.

Die Klingen sind mit dem Durchmesser des mittleren Lochs markiert.

Prüfen der Drehrichtung der Trennscheibe

Bei Anwendung einer Diamantscheibe stellen Sie sicher, dass diese in die Richtung rotiert, die der Pfeil auf der Scheibe angibt.

- Überprüfen Sie die Rotationsrichtung der Trennscheibe durch die Pfeile am Schneidarm.

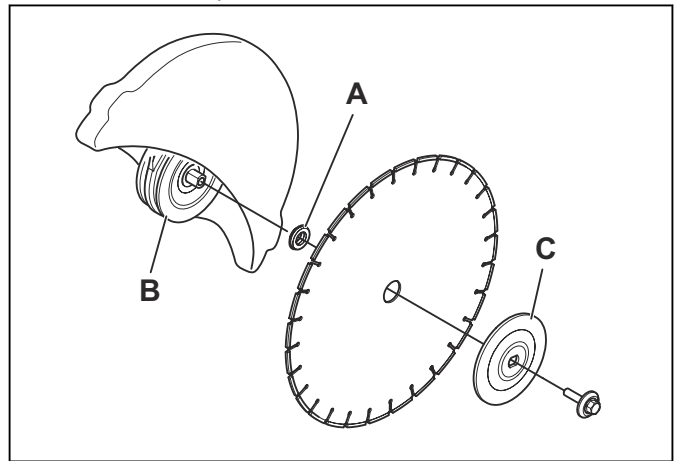


Montage der Trennscheibe

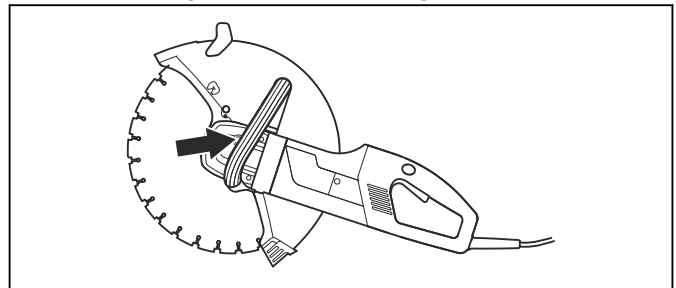
Das Anzugsmoment der Schraube, welche die Trennscheibe hält, beträgt 25 Nm.

Die Trennscheibe wird auf der Buchse (A) zwischen der inneren Flanschscheibe (B) und der Flanschscheibe (C) angebracht. Die Flanschscheibe wird gedreht, so dass

sie auf die Achse passt.



1. Verriegeln Sie die Trennscheibe/Achse mit dem Sperrknopf auf der Rückseite des Geräts. Der Knopf wird zurückgestellt, wenn er losgelassen wird.



Einstellen des Trennscheibenschutzes



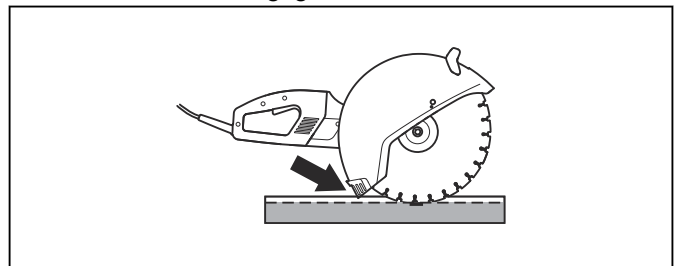
WARNUNG: Kontrollieren Sie vor dem Start der Maschine immer, ob der Trennscheibenschutz korrekt montiert ist.

Der Schutz für die Schneidausrüstung ist so einzustellen, dass der hintere Teil an das Werkstück anliegt.

Spritzer und Funken des geschnittenen Materials werden dann von der Schutzvorrichtung aufgefangen und vom Bediener weggeleitet.

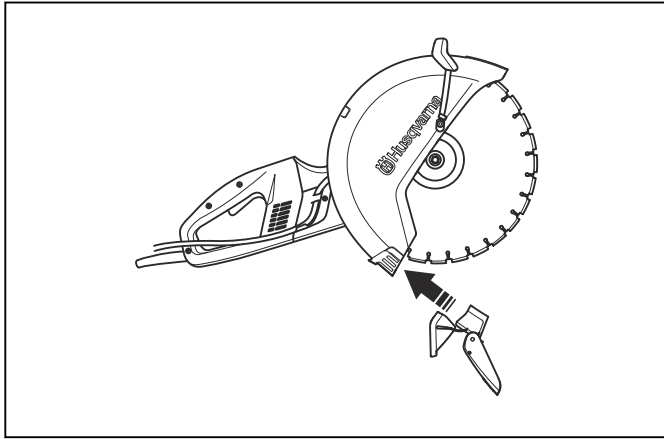
Der Klingenschutz ist kraftschlüssig.

1. Drücken Sie die Enden des Klingenschutzes gegen das Werkstück oder passen Sie den Klingenschutz mit dem Einstellungsgriff an.

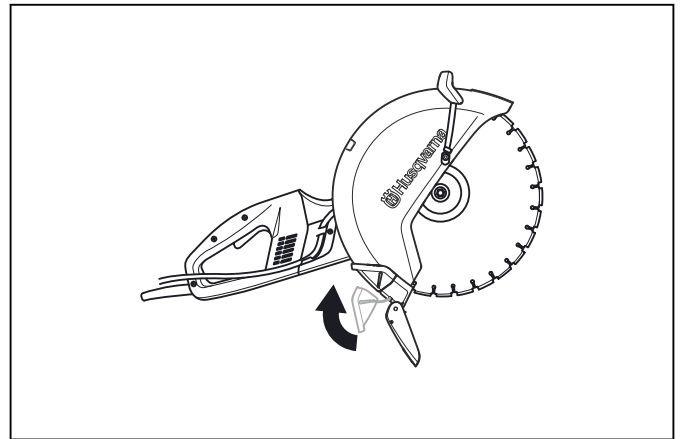


Einstellen des Trennscheibenschutzes

1. Schieben Sie den Spritzschutz in die Schlitzte hinten an der Schutzabdeckung der Trennscheibe.



2. Vergewissern Sie sich, dass der Verriegelungsgriff in der Halterung auf der Abdeckung bleibt. Klappen Sie den Verriegelungsgriff hoch und drücken Sie ihn gegen die Schutzabdeckung.



BETRIEB

Grundlegende Arbeitstechnik



WARNUNG: Ziehen Sie den Trennschleifer nicht zur Seite. Dies kann zum Verkanten oder zum Bruch der Schleifscheibe und in der Folge zu Verletzungen führen.



WARNUNG: Schleifen Sie niemals mit der Klingenseite. Dies führt zu Brüchen oder Schäden. Verwenden Sie nur die Trennschneide.



WARNUNG: Bevor Sie in einem bestehenden Schnittspalt, der mit einer anderen Trennscheibe geschnitten wurde, weiterschneiden, müssen Sie überprüfen, ob dieser Spalt nicht dünner als die Trennscheibe ist, damit sich die Trennscheibe nicht im Schnittspalt festfrisst und es keinen Rückschlag gibt.



WARNUNG: Verwenden Sie keine Diamantklinge zum Schneiden von Kunststoff. Die hohe Hitzeentwicklung während des Schneidens kann dazu führen, dass der Kunststoff schmilzt und an der Trennscheibe klebt und es zu einem Rückschlag kommt.

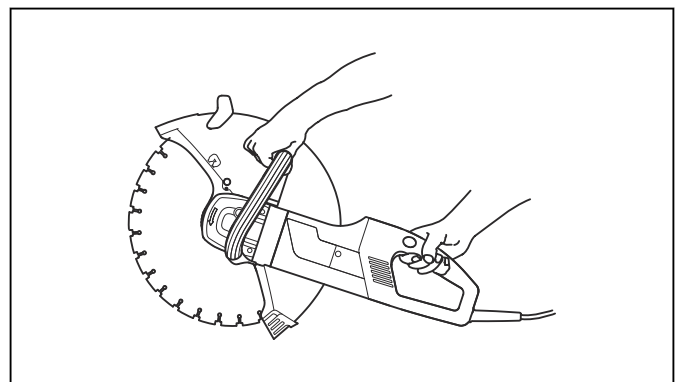


WARNUNG: Beim Schneiden von Metall entstehen Funken, die einen Brand verursachen können. Verwenden Sie das Produkt nicht in der Nähe von brennbaren Materialien oder Gasen.

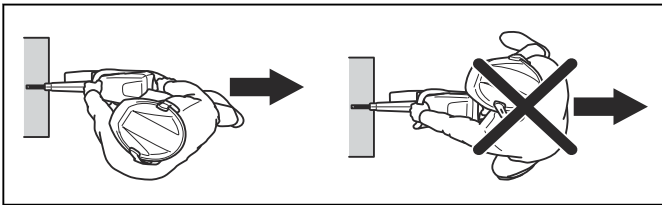


WARNUNG: Das Zubehörteil darf nicht mit Hartmetall in Berührung kommen.

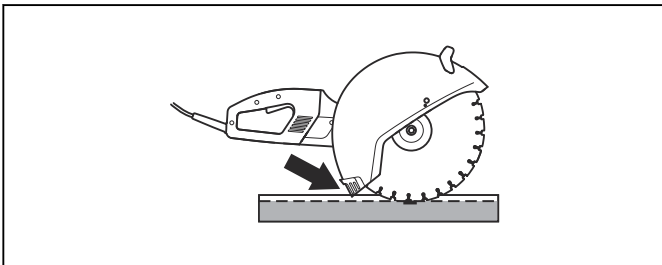
- Das Produkt wurde für die Verwendung mit Schleifscheiben und Diamantscheiben bei handgeführten Hochgeschwindigkeitsprodukten entwickelt. Mit anderen Arten von Trennscheiben oder bei zweckfremden Arbeiten darf das Produkt nicht verwendet werden.
- Kontrollieren Sie auch, ob die Trennscheibe korrekt montiert ist und keine Schäden aufweist. Anweisungen finden Sie hier *Trennscheiben auf Seite 84*.
- Stellen Sie sicher, dass für die entsprechende Anwendung eine korrekte Trennscheibe verwendet wird. Anweisungen finden Sie hier *Trennscheiben auf Seite 84*.
- Niemals Asbest schneiden!
- Säge mit beiden Händen halten. Die Griffe fest mit Daumen und Fingern umfassen. Mit der rechten Hand den hinteren Griff und mit der linken den vorderen Griff umfassen. Alle Benutzer, ob Links- oder Rechtshänder, müssen die Handgriffe so greifen. Den Trennschleifer niemals nur mit einer Hand halten und betreiben.



- Immer parallel zur Trennscheibe stehen. Stellen Sie sich nie genau dahinter. Im Fall eines Rückschlags bewegt sich die Säge in der Ebene der Trennscheibe.

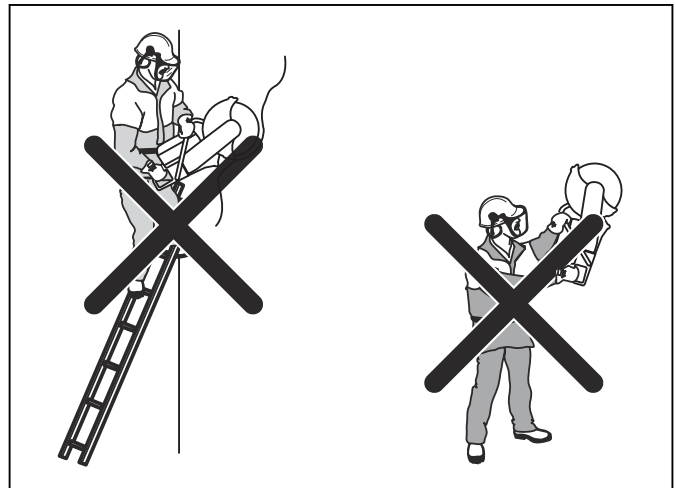


- Wenn sich die Trennscheibe im Schnitt oder beim Abbrechen des Trennvorgangs verklemmt, lassen Sie die Gashebel los und warten Sie, bis die Trennscheibe zum Stillstand kommt. Ziehen Sie die Trennscheibe auf keinen Fall aus dem Schnitt, während sie in Bewegung ist, sonst kann es zu einem Rückschlag kommen.
- Halten Sie bei laufendem Motor Abstand von der Trennscheibe. Versuchen Sie nicht, eine sich drehende Trennscheibe mit einem Körperteil zu stoppen.
- Bewegen Sie die Maschine niemals, wenn sich die Schneidausrüstung dreht. Stellen Sie sicher, dass die Trennscheibe vollständig zum Stillstand gekommen ist, bevor Sie die Maschine auf den Boden stellen.
- Der Schutz für die Schneidausrüstung ist so einzustellen, dass der hintere Teil an das Werkstück anliegt. Spritzer und Funken vom geschnittenen Material werden so vom Schutz aufgefangen und vom Bediener weggeleitet. Bei laufendem Produkt müssen die Schutzvorrichtungen für die Schneidausrüstung stets angebracht sein.

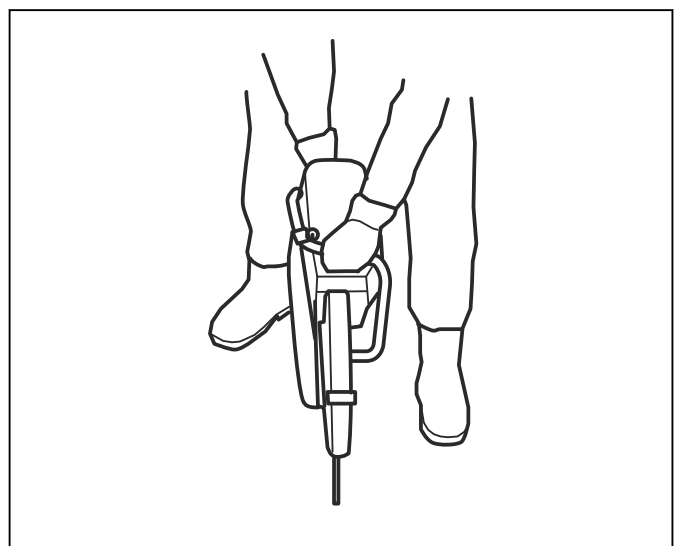


- Der Rückschlagbereich der Klinge soll niemals zum Schneiden angewendet werden. Anweisungen finden Sie hier *Rückschlag auf Seite 91*.
- Besondere Vorsicht gilt bei Innenschnitten in Wänden oder anderen nicht einsehbaren Bereichen. Die hervorstehende Scheibe kann Gas- oder Wasserleitungen, elektrische Leitungen oder andere Gegenstände, die einen Rückschlag verursachen könnten, trennen.
- Eine sichere Arbeitsstellung mit festen Stand einnehmen.
- Unter keinen Umständen oberhalb der Schulterhöhe schneiden.

- Niemals von einer Leiter aus schneiden. Eine Plattform oder ein Gerüst verwenden, wenn der Schnitt oberhalb der Schulter erfolgt.

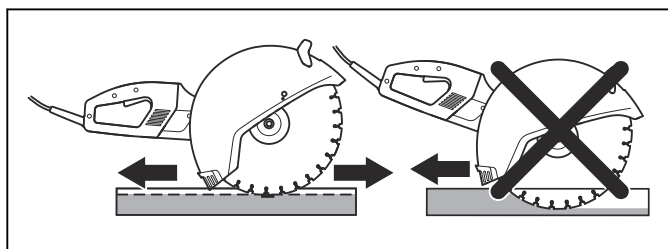


- Sorgen Sie für einen festen Stand.
- Bequemem Abstand zum Werkstück einhalten.
- Sorgen Sie immer dafür, dass Sie bei der Arbeit fest und sicher stehen.
- Prüfen Sie, dass die Trennscheibe nirgendwo anliegt, wenn das Produkt gestartet wird.
- Setzen Sie die Trennscheibe vorsichtig bei hoher Drehzahl (Vollast) an. Behalten Sie die Höchstgeschwindigkeit bei, bis der Schneidevorgang abgeschlossen ist.
- Lassen Sie das Produkt arbeiten, ohne die Trennscheibe zu forcieren oder Druck auszuüben.
- Führen Sie das Produkt in einer Linie mit der Trennscheibe. Der Seitendruck kann die Trennscheibe beschädigen und ist äußerst gefährlich.



- Die Scheibe langsam vor- und rückwärts führen, um eine kleine Kontaktfläche zwischen der Scheibe und dem zu schneidenden Material zu erhalten. Auf

diese Weise wird die Temperatur der Scheibe niedrig gehalten und ein effektives Schneiden erzielt.



Verwendung und Pflege von Elektrowerkzeugen

- **Überbeanspruchen Sie Elektrowerkzeuge nicht. Benutzen Sie das richtige Elektrowerkzeug für Ihren Einsatzzweck.** Das richtige Elektrowerkzeug erledigt seine Arbeit bei bestimmungsgemäßem Einsatz besser und sicherer.
- **Benutzen Sie das Elektrowerkzeug nicht, wenn es sich nicht am Schalter ein- und ausschalten lässt.** Jedes Elektrowerkzeug, das nicht mit dem Schalter betätigt werden kann, stellt eine Gefahr dar und muss repariert werden.
- **Trennen Sie das Elektrowerkzeug von der Stromversorgung bzw. vom Akku, bevor Sie Einstellarbeiten vornehmen, Zubehörteile austauschen oder das Elektrowerkzeug verstauen.** Solche präventiven Sicherheitsmaßnahmen verhindern den unbeabsichtigten Start des Elektrowerkzeugs.
- **Lagern Sie nicht benutzte Elektrowerkzeuge außerhalb der Reichweite von Kindern, und lassen Sie nicht zu, dass Personen das Elektrowerkzeug bedienen, die nicht mit dem Werkzeug selbst und/oder diesen Anweisungen vertraut sind.** Elektrowerkzeuge stellen in ungeschulten Händen eine Gefahr dar.
- **Halten Sie Elektrowerkzeuge in Stand. Prüfen Sie auf Fehlausrichtungen, sicheren Halt und Leichtgängigkeit beweglicher Teile, Beschädigungen von Teilen sowie auf jegliche andere Zustände, die sich auf den Betrieb des Elektrowerkzeugs auswirken können. Bei Beschädigungen lassen Sie das Elektrowerkzeug reparieren, bevor Sie es benutzen.** Viele Unfälle mit Elektrowerkzeugen sind auf schlechte Wartung zurückzuführen.
- **Halten Sie Schneidwerkzeuge scharf und sauber.** Ordnungsgemäß gewartete Schneidwerkzeuge mit scharfen Schneidkanten bleiben seltener hängen und sind einfacher zu bedienen.
- **Benutzen Sie das Elektrowerkzeug, das Zubehör und die Werkzeugeinsätze usw. entsprechend dieser Anweisungen, und beachten Sie dabei die jeweiligen Arbeitsbedingungen und die Art der auszuführenden Arbeiten.** Der bestimmungswidrige Einsatz von Elektrowerkzeugen kann zu gefährlichen Situationen führen.
- An der Bauweise des Geräts dürfen ohne vorherige Genehmigung des Herstellers keine Veränderungen

vorgenommen werden. Verwenden Sie stets Originalersatzteile. Unzulässige Änderungen und/oder Zubehör können zu schweren oder tödlichen Verletzungen des Benutzers oder anderer Personen führen.

- Stellen Sie außerdem sicher, dass weder unter dem Arbeitsbereich noch im Schneidegut Versorgungsleitungen verlegt sind.
- Überprüfen und markieren Sie immer den Verlauf von Gasleitungen. Schneiden in der Nähe von Gasleitungen bringt immer Gefahren mit sich. Stellen Sie sicher, dass beim Schneiden keine Funken fliegen, wenn Explosionsgefahr besteht. Bleiben Sie konzentriert und widmen Sie der Aufgabe Ihre ganze Aufmerksamkeit. Unachtsamkeit kann zu schweren Verletzungen bis hin zum Tod führen.
- Stets Abstand zur rotierenden Schneidausrüstung halten.

Service

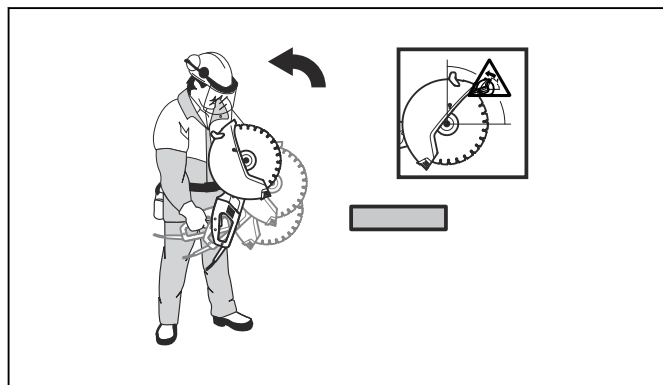
- Lassen Sie das Elektrowerkzeug von einem qualifizierten Fachmann reparieren, und bestehen Sie darauf, dass nur Originalersatzteile verwendet werden. Auf diese Weise wird dafür gesorgt, dass die Sicherheit des Elektrowerkzeugs nicht beeinträchtigt wird.

Rückschlag



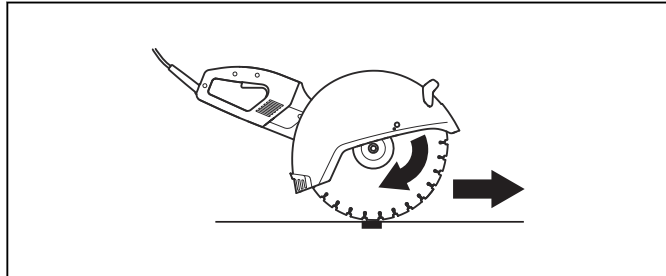
WARNUNG: Rückschläge treten unerwartet und mit zum Teil großer Heftigkeit auf. Heftige Drehbewegungen und starkes Wackeln des Trennschleifers können zu schweren oder tödlichen Verletzungen führen. Bediener müssen deshalb vor dem Betrieb des Produktes die Ursachen für Rückschläge sowie die Vorsichtsmaßnahmen zu deren Vermeidung verstehen.

Als Rückschläge werden ruckartige Aufwärtsbewegungen bezeichnet, die dadurch entstehen, dass die Klinge im Rückschlagbereich einklemmt oder stecken bleibt. Die meisten Rückschläge haben nur kleine Auswirkungen auf das Verhalten des Gerätes und stellen keine große Gefahr dar.



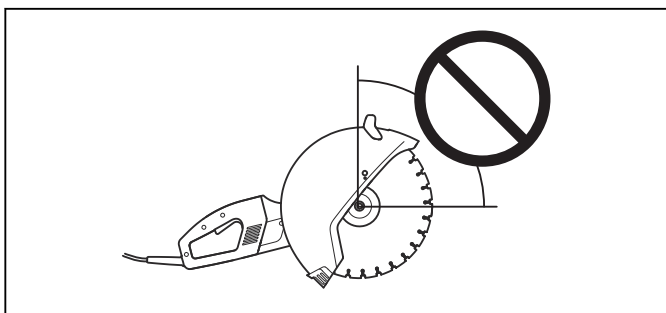
Rückschlageffekt

- Der Rückschlageffekt kann bei Schneidearbeiten jederzeit auftreten. Das Produkt wird dabei in die zur Drehbewegung der Trennscheibe entgegengesetzte Richtung gezogen. Beim Betrieb des Gerätes kann dieser Effekt meist vernachlässigt werden. Wird die Klinge eingeklemmt oder bleibt sie stecken, so kann die Heftigkeit der Rückschlageffekts dazu führen, dass der Bediener die Kontrolle über das Gerät verliert.



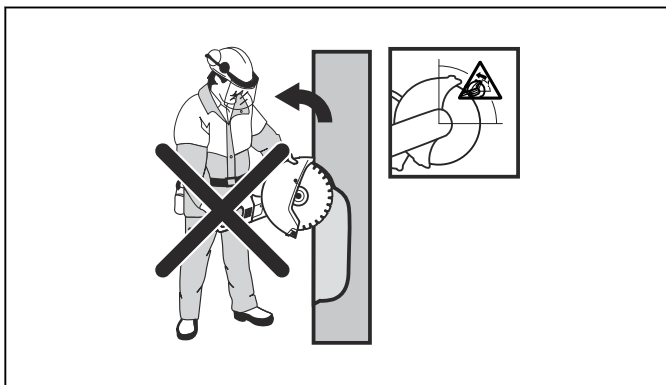
Rückschlagbereich

- Der Rückschlagbereich der Klinge soll niemals zum Schneiden angewendet werden. Wird die Klinge eingeklemmt oder bleibt sie im Rückschlagbereich stecken, kann die Heftigkeit der Rückschlageffekts zu heftigen Drehbewegungen und starkem Wackeln des Trennschleifers führen, was schwere oder tödliche Verletzungen verursachen kann.



Hochschlagen des Geräts durch Rückschlageffekt

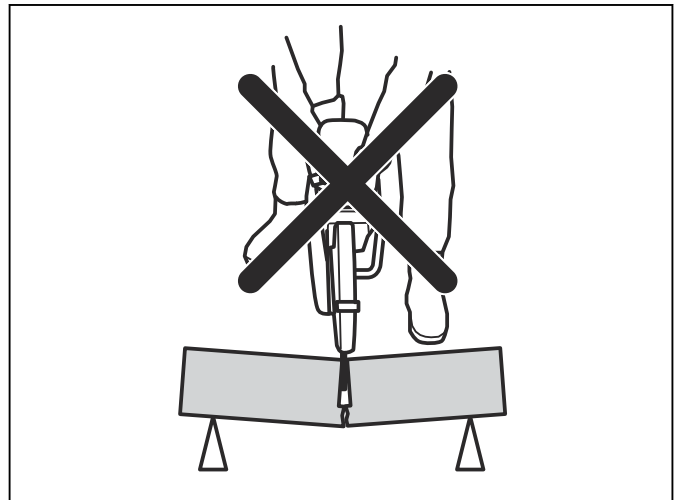
- Wird im Rückschlagbereich geschnitten, kann der Rückstoßeffekt zu einem Hochschlagen des Gerätes führen. Scheiden Sie deshalb nicht mit dem Rückschlagbereich. Ein Hochschlagen des Gerätes können Sie dadurch vermeiden, dass Sie mit dem unteren Quadrant der Klinge schneiden.



Blockierung

- Blockiert wird das Gerät, wenn sich die Schnittstelle verengt. Wird die Klinge eingeklemmt oder bleibt sie

stecken, so kann die Heftigkeit der Rückschlageffekts dazu führen, dass der Bediener die Kontrolle über das Gerät verliert.



- Wird die Klinge eingeklemmt oder bleibt sie im Rückschlagbereich stecken, kann die Heftigkeit der Rückschlageffekts zu heftigen Drehbewegungen und starkem Wackeln des Trennschleifers führen, was schwere oder tödliche Verletzungen verursachen kann.

Schneiden von Rohren



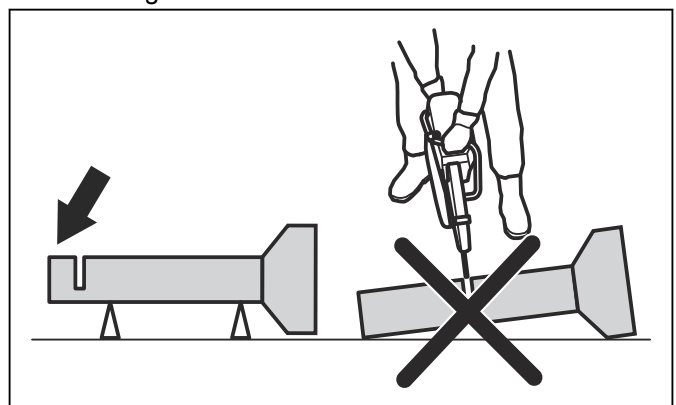
WARNUNG: Wird die Klinge im Rückschlagbereich eingeklemmt, führt dies zu einem starken Rückschlageffekt.



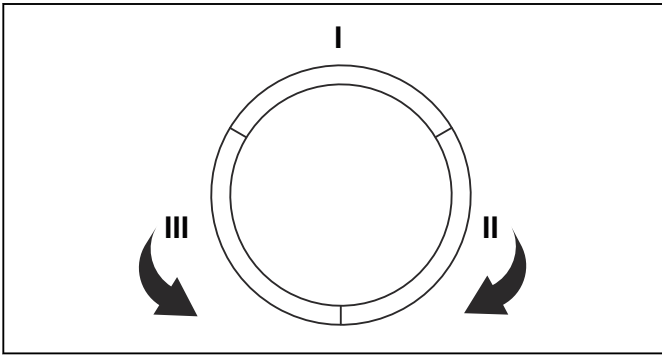
WARNUNG: Stellen Sie sicher, dass das Rohr ordnungsgemäß gestützt ist, so dass das Ende des Rohrs beim Schneiden nach unten fällt.

Beim Schneiden von Rohren ist besondere Sorgfalt geboten. Ist das Rohr nicht ordnungsgemäß gestützt und die Schnittstelle während des Schneidens offen, könnte die Trennscheibe eingeklemmt werden. Achtung: Beim Schneiden eines Rohrs mit einem verbreiterten Ende oder eines Rohrs in einem Baugraben kann eine nicht ausreichende Stützung zu einem Durchhängen und Einklemmen der Trennscheibe führen.

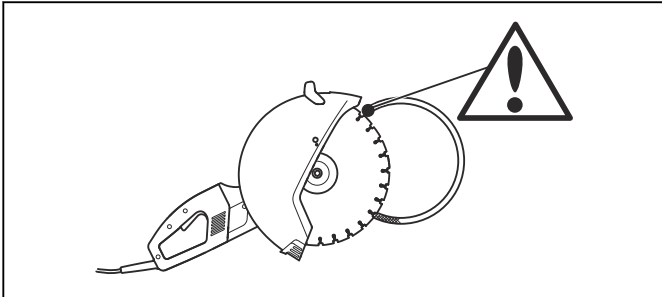
1. Sichern Sie das Rohr, damit es sich nicht bewegen oder wegrollen kann.



2. Schneiden Sie Bereich I des Rohres.



3. Stellen Sie sicher, dass der Schnitt geöffnet wird, um ein Einklemmen zu verhindern.

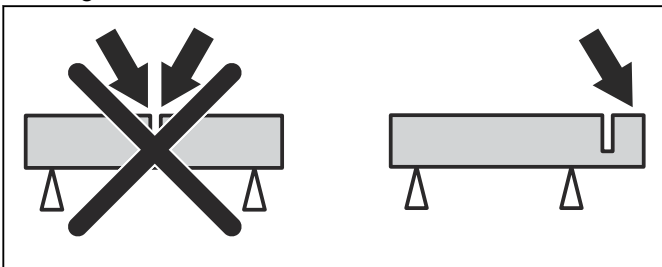


4. Wechseln Sie zu Bereich II und schneiden Sie von Bereich I bis zur Unterseite des Rohrs.

5. Wechseln Sie zu Bereich III und schneiden Sie den restlichen Teil des Rohrs an der Unterseite.

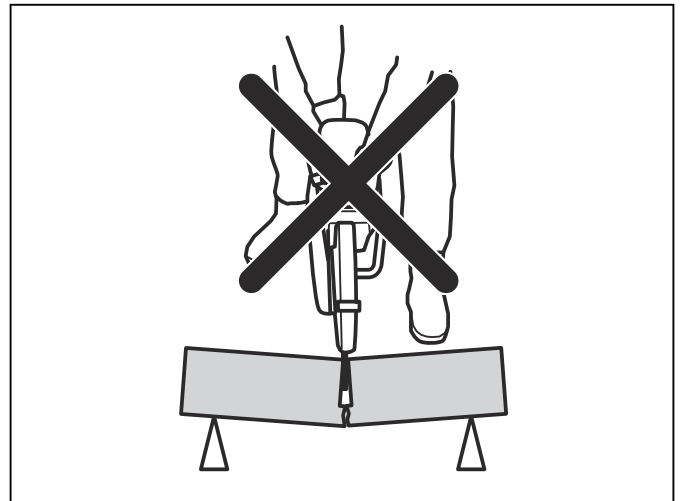
Rückschlag vermeiden

1. Stützen Sie das Werkstück stets ab, so dass der Schnitt beim Schneiden offen bleiben kann. Bei einer geöffneten Schnittstelle tritt kein Rückschlageffekt auf. Rückschlaggefahr besteht immer, wenn sich die Schnittstelle schließt und die Trennscheibe eingeklemmt werden könnte.



2. Seien Sie beim erneuten Einführen der Trennscheibe in einen bestehenden Schnittspalt vorsichtig.

3. Achten Sie auf die Bewegung des Werkstücks oder Ähnliches. Die Bewegung oder alles andere könnte dazu führen, dass sich die Schnittstelle schließt und die Trennscheibe eingeklemmt.



4. Verhindern Sie, dass das Rohr durchhängt und so die Schnittstelle verengt. Andernfalls kann die Trennscheibe im Rückschlagbereich eingeklemmt werden und es kann zu einem schweren Rückschlag kommen.

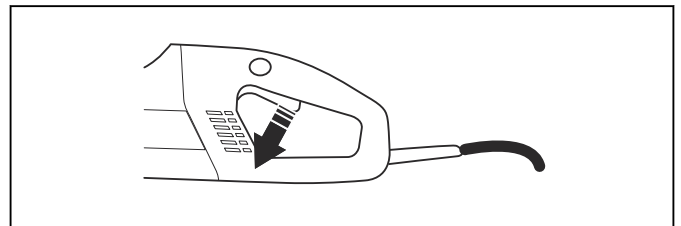
5. Stützen Sie das Ende des Rohres ordnungsgemäß ab, so dass die Schnittstelle offen bleibt und die Trennscheibe nicht eingeklemmt werden kann.

Überprüfen des Schalters



WARNUNG: Ein defekter Schalter ist von einer autorisierten Servicewerkstatt auszutauschen.

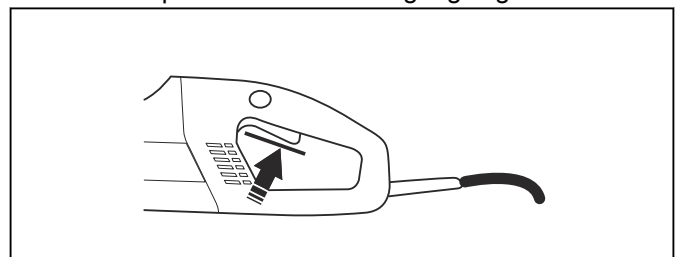
1. Starten Sie das Produkt und lassen Sie den Schalter los.



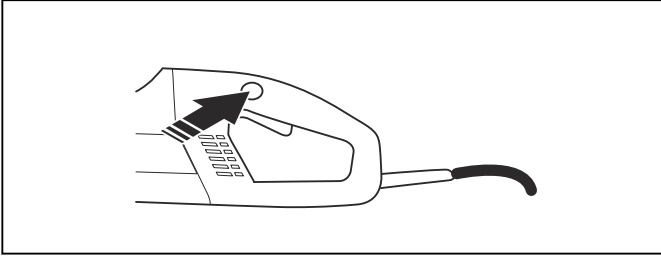
2. Stellen Sie sicher, dass der Motor und Trennscheibe stehen bleiben.

Überprüfen der Schaltersperre

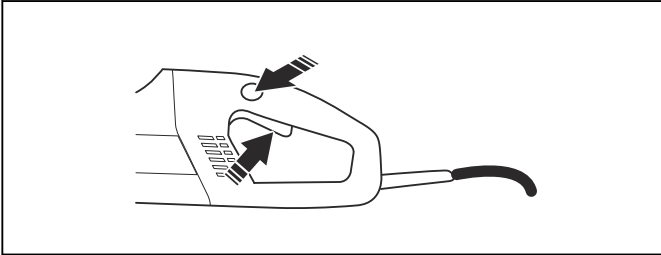
1. Kontrollieren, ob der Schalter gesperrt ist, wenn die Schaltersperre sich in der Ausgangslage befindet.



- Die Schaltersperre eindrücken und kontrollieren, ob sie in ihre Ausgangslage zurückkehrt, wenn sie losgelassen wird.



- Kontrollieren Sie, ob Schalter und Schaltersperre leicht zu drücken sind und ob ihre Rückzugfedersysteme einwandfrei funktionieren.



- Starten Sie das Produkt, lassen Sie den Schalter los und kontrollieren Sie, ob Motor und Trennscheibe stehen bleiben.

Überprüfen des Trennscheibenschutzes

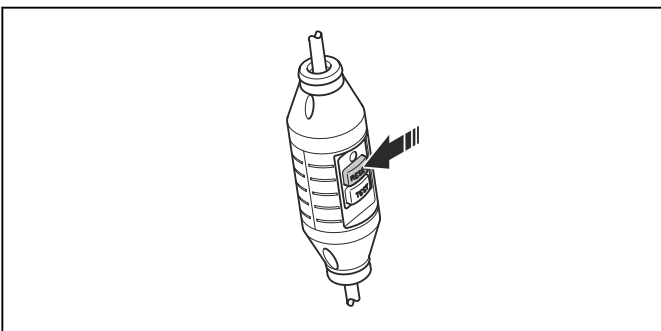


WARNUNG: Kontrollieren Sie vor dem Start der Maschine immer, ob der Trennscheibenschutz korrekt montiert ist. Kontrollieren Sie, ob die Trennscheibe korrekt montiert ist und keine Schäden aufweist. Eine beschädigte Trennscheibe kann Personenschäden verursachen. Siehe die Anweisungen unter der Überschrift Montage.

- Kontrollieren Sie, dass der Schutz intakt ist und keine Risse oder Deformationen aufweist.

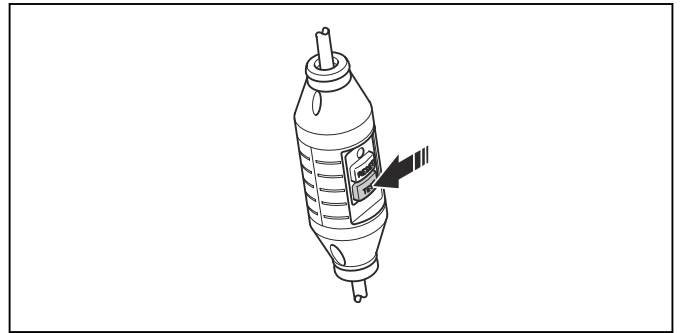
Überprüfen des Fehlerstromschutzschalters

- Schließen Sie das Gerät an die Steckdose an.
- Drücken Sie die RESET-Taste (grün) und die rote LED leuchtet auf.



- Starten Sie das Gerät.

- Drücken Sie die TEST-Taste (blau).



- Der Fehlerstromschutzschalter sollte auslösen und das Gerät sofort ausschalten. Sollte er dies nicht tun, nehmen Sie Kontakt mit Ihrem Händler auf.
- Drücken Sie die RESET-Taste (grün).

Vor dem Start



WARNUNG: Lesen Sie die Bedienungsanleitung sorgfältig durch und machen Sie sich mit dem Inhalt vertraut, bevor Sie das Gerät benutzen.



WARNUNG: Tragen Sie persönliche Schutzausrüstung. Siehe *Persönliche Schutzausrüstung auf Seite 82*.



WARNUNG: Sorgen Sie dafür, dass sich innerhalb des Arbeitsbereichs keine unbefugten Personen aufhalten, andernfalls besteht die Gefahr von schweren Verletzungen.

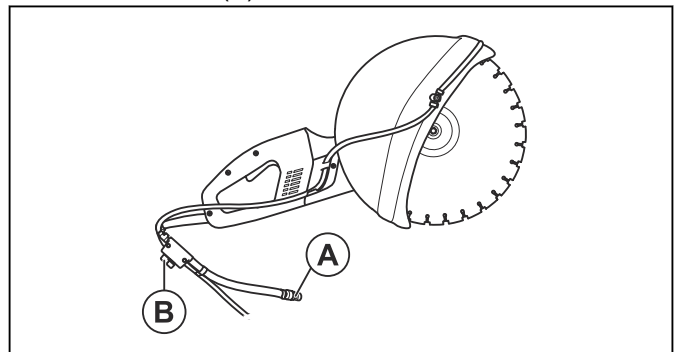


WARNUNG: Kontrollieren Sie, ob die Netzspannung mit der auf dem Produktschild angegebenen übereinstimmt.

Warten Sie das Gerät täglich. Siehe Abschnitt *WARTUNG auf Seite 95*.

Wasser anschließen

- Schließen Sie den Wasserschlauch an die Wasserzufuhr (A) an.



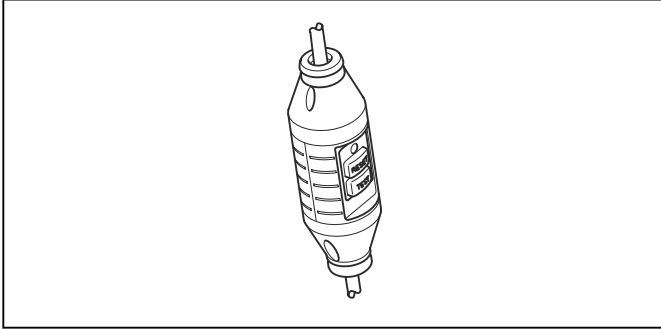
- Drehen Sie den Wasserhahn (B) auf oder zu.

Den Fehlerstromschutzschalter einschalten



WARNUNG: Verwenden Sie das Werkzeug niemals, wenn der Fehlerstromschutzschalter nicht mitgeliefert wurde. Unachtsamkeit kann zu schweren Verletzungen bis hin zum Tod führen.

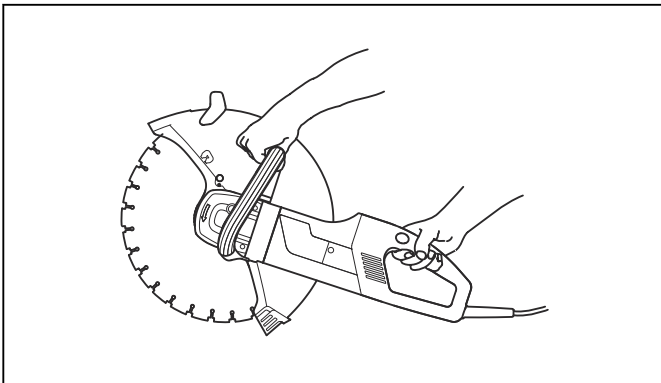
1. Stellen Sie sicher, dass der Fehlerstromschutzschalter geschlossen ist.



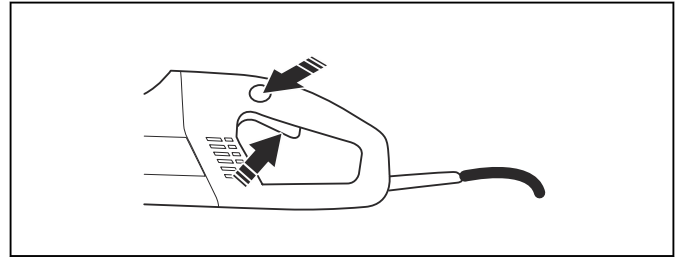
2. Starten Sie das Gerät. Wenn die LED nicht leuchtet, drücken Sie die RESET-Taste (grün).
3. Überprüfen Sie den Fehlerstromschutzschalter.

Das Produkt starten

1. Halten Sie den vorderen Handgriff mit der linken Hand fest.
2. Halten Sie den hinteren Handgriff mit der rechten Hand fest.



3. Drücken Sie die Schaltersperre mit dem rechten Daumen ein und drücken Sie den Schalter.



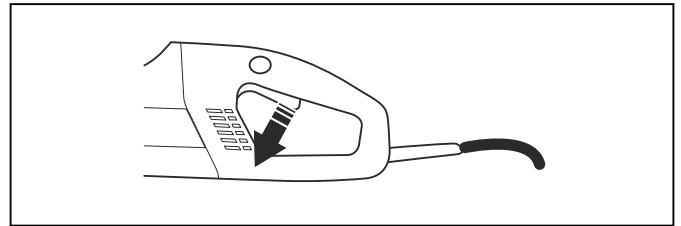
4. Betreiben Sie das Produkt ohne Last in einer sicheren Art und Weise für mindestens 30 Sekunden.

Das Produkt stoppen



WARNUNG: Nach dem Ausschalten des Motors kann es bis zu einer Minute dauern, bis die Trennscheibe zum Stillstand kommt (bekannt als Auslauf). Achten Sie dabei darauf, dass sich die Trennscheibe störungsfrei drehen kann, bis die Drehbewegung endgültig aufhört. Durch Unachtsamkeiten können schwere Verletzungen herbeigeführt werden.

1. Lassen Sie den Schalter los, um den Motor auszuschalten.



WARTUNG

Wartungsplan

Dem Wartungsplan entnehmen Sie, welche Teile Ihres Produkts gewartet werden müssen. Sie können auch sehen, in welchen Abständen die Wartung erfolgen

sollte. Der Berechnung der Wartungsintervalle wurde die tägliche Nutzung des Produktes zugrunde gelegt. Einer davon abweichenden Nutzungsfrequenz entsprechen deshalb andere Wartungsintervalle.

	Täglich	Wöchentlich / 40 Stunden	Jährlich
Reinigung	Außenreinigung		
	Kühlufteinlass		

	Täglich	Wöchentlich / 40 Stunden	Jährlich
Funktionsinspektion	Generalinspektion	Kohlebürsten	
	Schalter*		
	Schaltersperre*		
	Klingenschutz*		
	Trennscheibe**		
	Wasserversorgungssystem		
Ändern			Getriebe schmieren

*Siehe die Anweisungen im Abschnitt *Sicherheitsvorrichtungen am Gerät auf Seite 83*.

**Siehe die Anweisungen im Abschnitt *Trennscheiben auf Seite 84*.

Reinigung

Äußere Reinigung



WARNUNG: Reinigen Sie das Innere des Produktes nicht mit einem Hochdruckreiniger.

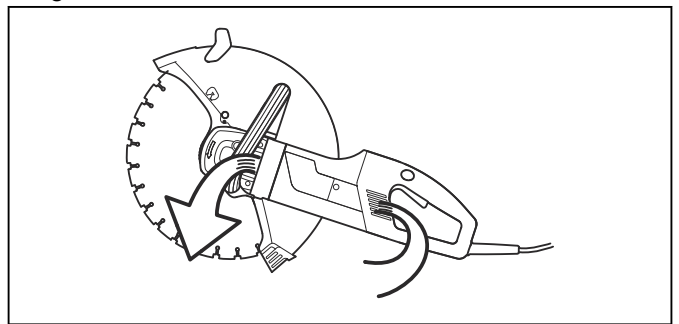
Das Produkt ist beim Schneiden resistent gegen feuchte Luft und Spritzwasser. Beim Schneiden von Materialien wie Beton oder Stein, die Salze enthalten können, muss das Produkt nach Abschluss der Arbeiten abgespült werden. Die Reinigung reduziert die Gefahr von Ablagerungen im Inneren des Motors. Ablagerungen im Inneren des Motors können zu Ableitstrom zwischen elektrischen Komponenten führen. Durch einen so verursachten Ableitstrom könnte der Fehlerstromschutzschalter ungewollt ausgelöst werden.

1. Spülen Sie das Produkt täglich mit sauberem Wasser nach Abschluss der Arbeiten.
2. Bringen Sie das Gerät so in Position, dass der hintere Griff nach oben zeigt.
3. Spülen Sie die Lufteinlässe am hinteren Griff mit sauberem Wasser ab. Das Wasser läuft über die Luftauslässe an der Vorderseite ab.
4. Stecken Sie den Netzstecker ein und lassen Sie den Motor für ca. 30 Sekunden laufen, um das Trocknen des Motors zu beschleunigen.

Den Kühlluft einlass reinigen

Das Gerät verfügt über einen Lüfter, der die Temperatur des Motors verringert. Betätigen Sie den hinteren Griff des Geräts, um die Kühlluft über das Gitter aufzunehmen. Die Luft passiert Stator und Rotor und tritt durch die Vorderseite des Motorgehäuses wieder aus.

1. Für die ausreichende Kühlung des Produkts müssen die Kühlluftöffnungen immer frei und sauber gehalten werden.



2. Blasen Sie die Druckluft regelmäßig in das Produkt.

Funktionsinspektion

Durchführen einer allgemeinen Funktionsinspektion



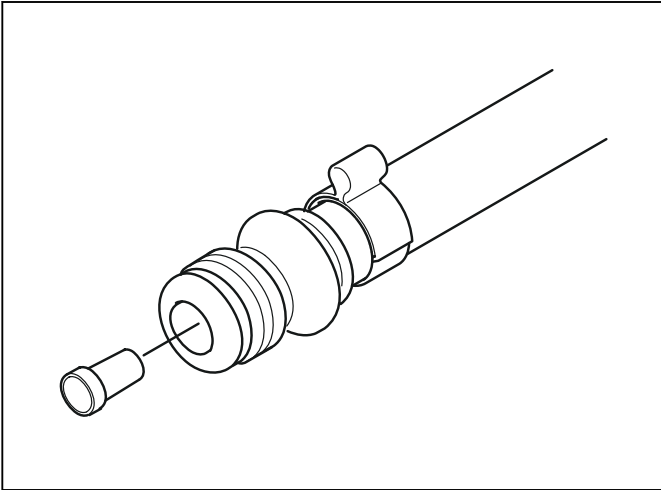
WARNUNG: Verwenden Sie niemals beschädigte Kabel. Diese können schwere, sogar lebensgefährliche Verletzungen verursachen.

1. Stellen Sie sicher, dass Kabel und Verlängerungskabel intakt und in gutem Zustand sind. Benutzen Sie das Produkt keinesfalls, wenn das Kabel beschädigt ist. In diesem Fall muss es zur Reparatur in eine autorisierte Servicewerkstatt gegeben werden.
2. Vergewissern Sie sich, dass alle Muttern und Schrauben fest angezogen sind.

Prüfen der Wasserversorgung

1. Überprüfen Sie die Düsen auf dem Trennscheibenschutz. Sie dürfen nicht verstopft sein.
2. Reinigen Sie ihn bei Bedarf.
3. Überprüfen Sie den Filter auf dem Wasseranschluss. Er darf nicht verstopft sein.

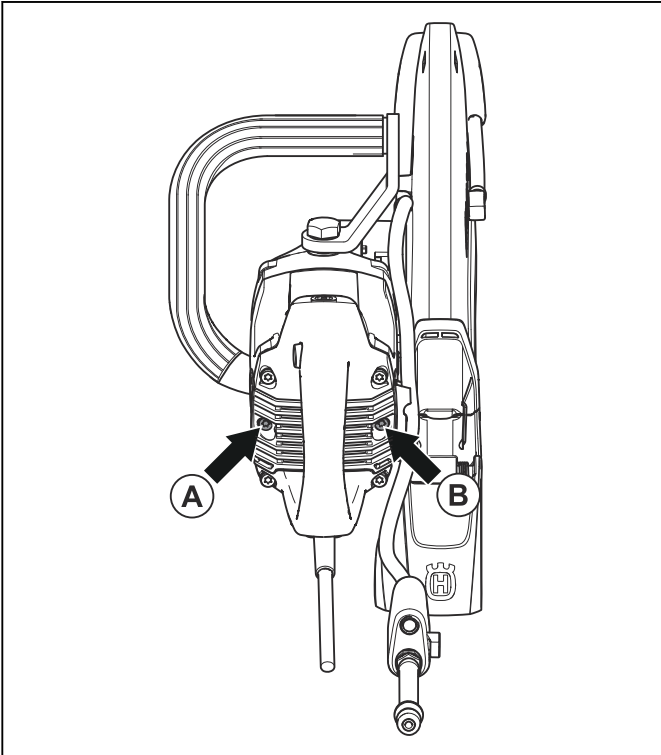
4. Reinigen Sie ihn bei Bedarf.



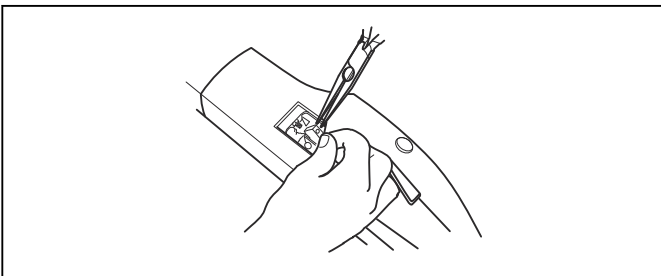
Austausch der Kohlebürsten

Ersetzen Sie die Kohlebürsten, wenn sie verschlissen, gerissen oder auf andere Weise beschädigt sind. Ersetzen Sie alle Kohlebürsten gleichzeitig.

1. Lösen Sie die beiden Schrauben (A) und (B) und nehmen Sie die Inspektionsabdeckung ab.



2. Entfernen Sie das Kabel, das die Kohlebürste hält.



3. Heben Sie die Feder an und nehmen Sie danach die Kohlebürste aus dem Bürstenhalter.

4. Die Bürstenhalter mit einem trockenen Pinsel reinigen.
5. Den Staub vorsichtig herausblasen.
6. Montieren Sie die neuen Kohlebürsten und kontrollieren Sie gleichzeitig, dass sie leicht in die Bürstenhalter gleiten.
7. Die Federn herunterklappen und das Kabel festschrauben.
8. Betätigen Sie die neuen Kohlebürsten für ca. 40 Minuten im Leerlauf.

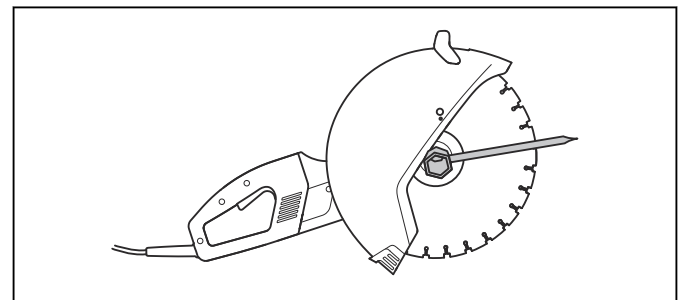
Getriebe-Schmierfett auffüllen

Füllen Sie das Getriebegehäuse nicht vollständig mit Schmierfett. Das Schmierfett dehnt sich aus, wenn sich die Temperatur des Produkts während des Betriebs erhöht. Wenn Sie das Getriebegehäuse vollständig mit Schmierfett füllen, könnten die Dichtungen beschädigt werden und Schmierfett könnte austreten.

Das Getriebegehäuse sollte insgesamt 90 g Schmierfett enthalten. Verwenden Sie nur Schmierfett, das von Husqvarna empfohlen wird.

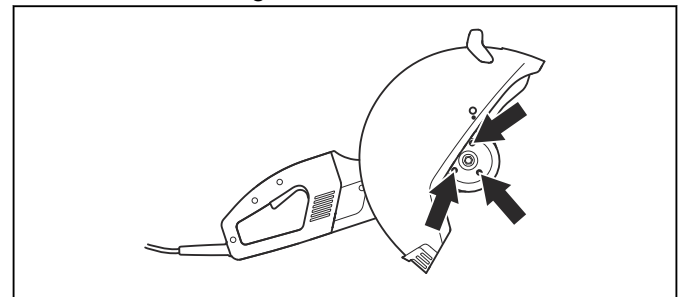
Sie müssen die folgenden Teile demontieren, um das Schmierfett im Getriebegehäuse aufzufüllen:

1. Demontieren Sie die Flanschscheiben, die die Trennscheibe halten.



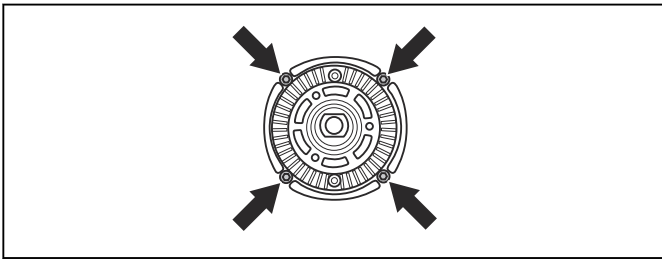
2. Demontieren Sie den Dichtungsring.

3. Demontieren Sie den Stützflansch für die Schutzvorrichtung.

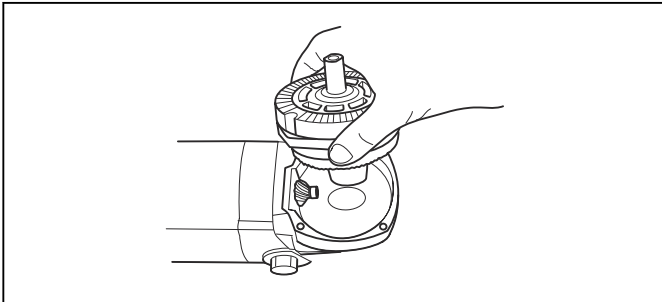


4. Demontieren Sie den Trennscheibenschutz.

5. Entfernen Sie die vier Schrauben, die den Schild halten.



6. Dann den Schild zusammen mit der Kronradeinheit aus dem Getriebegehäuse nehmen.



7. Wischen Sie das Schmierfett heraus und füllen Sie neues Getriebe-Schmierfett von guter Qualität in das Getriebegehäuse ein.

TRANSPORT, LAGERUNG UND ENTSORGUNG

Transport

Transport des Produktes

- Achten Sie beim Transport des Produkts darauf, dass dieses gesichert ist und weder beschädigt wird noch Unfälle verursacht.

Transport von Trennscheiben

- Transportieren Sie den Trennschleifer nicht mit montierter Trennscheibe. Entfernen Sie nach jedem Gebrauch alle Trennscheiben vom Trennschleifer.
- Neue Trennscheiben müssen auf Transportschäden untersucht werden.

Lagerung

Lagerung des Produktes

- Lagern Sie das Produkt in einem verschließbaren Raum, sodass es für Kinder und Unbefugte unzugänglich ist.

Lagerung von Trennscheiben

- Lagern Sie den Trennschleifer nicht mit montierter Trennscheibe. Entfernen Sie nach dem Gebrauch alle Trennscheiben vom Trennschleifer und lagern Sie diese sorgfältig.
- Lagern Sie die Trennscheiben trocken und frostgeschützt. Achten Sie besonders auf die Schleifscheiben. Schleifscheiben müssen auf einer flachen, ebenen Fläche gelagert werden. Wird eine

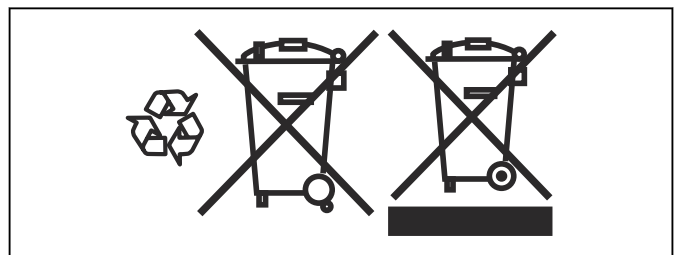
Schleifscheibe feucht gelagert, kann dies eine Unwucht verursachen und zu Verletzungen führen.

- Neue Trennscheiben müssen auf Lagerschäden untersucht werden.

Entsorgung

Durch Symbole auf dem Produkt oder seiner Verpackung wird angezeigt, dass dieses Produkt nicht über den Hausmüll entsorgt werden darf. Es ist einer entsprechenden Recyclingstation zuzuführen, damit elektrische und elektronische Komponenten wiedergewonnen werden können.

Dadurch, dass Sie sicherstellen, dass Sie mit diesem Produkt sorgfältig umgehen, können Sie helfen, den potentiellen negativen Auswirkungen auf die Umwelt und Ihre Mitmenschen entgegenzuwirken, die sich andernfalls durch eine unsachgemäße Entsorgung dieses Produkts ergeben können. Genauere Informationen über die ordnungsgemäße Entsorgung dieses Produkts erhalten Sie bei Ihrer Stadtverwaltung, Ihrem Abfallentsorgungsunternehmen oder dem Geschäft, in dem Sie Ihr Produkt gekauft haben.



TECHNISCHE DATEN

Technische Daten

K 4000		
Schutzart		I
Max. Drehzahl der Abtriebswelle, U/min	120 V, 60 Hz	3400
	230 V, 50 Hz	3600
Nennspannung, V		
Europa		230
Großbritannien und Irland		110
USA / Canada / Japan		100-120
Australien		230
Nennleistung, W		
Europa	230 V, 50 Hz	2700/12 A
Großbritannien und Irland	110 V, 50 Hz	2200/20 A
USA / Canada / Japan	100-120 V, 50-60 Hz	15 A
Australien	230 V, 50 Hz	2300/10 A
Gewicht		
Gerät ohne Kabelpaket, ohne Trennscheibe und Zubehörteil, kg		7,6
Wasserkühlung		
Wasserkühlung der Scheibe		Ja
Verbindungsrippel		Typ „Gardena“
Empfohlener Wasserdruck, bar		0,5-8
Geräuschemissionen (siehe Anmerkung 1)		
Gemessener Schallleistungspegel dB (A)		104
Schallleistungspegel, garantiert L_{WA} dB (A)		105
Geräuschpegel (siehe Hinweis 2)		
Äquivalenter Schalldruckpegel am Ohr des Bedieners, dB (A)		95
Äquivalente Vibrationspegel, a_{hveq} (siehe Hinweis 3)		
Vorderer Handgriff, m/s^2		3,5
Hinterer Griff, m/s^2		3,5

K 4000

Hinweis 1: Umweltbelastende Geräuschemission gemessen als Schalleistung (LWA) gemäß Richtlinie 2000/14/EC. Die Differenz zwischen garantiertem und gemessenem Schalleistungspegel besteht darin, dass beim garantierten Schalleistungspegel auch eine Streuung im Messergebnis und Variationen zwischen verschiedenen Produkten desselben Modells gemäß der Richtlinie 2000/14/EC berücksichtigt werden.

Hinweis 2: Äquivalente Schalldruckpegel, nach der EN ISO-Norm ISO 19432, werden berechnet als die zeitgewichtete energetische Summe der Schalldruckpegel bei verschiedenen Betriebsarten. Berichten zufolge liegt der Schalldruckpegel für dieses Gerät normalerweise bei einer Ausbreitungsklasse (Standardabweichung) von 1 dB (A).

Hinweis 3: Äquivalente Vibrationspegel, nach der EN ISO-Norm ISO 19432, werden berechnet als die zeitgewichtete energetische Summe der Vibrationspegel bei verschiedenen Betriebsarten. Berichten zufolge liegt der äquivalente Vibrationspegel normalerweise bei einer Ausbreitungsklasse (Standardabweichung) von 1 m/s².

Empfohlene Schleif- und Diamant-Trennscheibe

Trennscheibe, mm	350
Max. Umfangsgeschwindigkeit (m/s)	100
Max. Scheibengeschwindigkeit, U/min	3900
Max. Schnitttiefe, mm	125
Max. Schnitttiefe mit Zubehörteil, mm	119



ACHTUNG: Die unten aufgeführten Empfehlungen beziehen sich auf die minimale Kabelstärke relativ zur maximalen Länge des Verlängerungskabels. Befolgen Sie diese Empfehlungen zur Vermeidung von Leistungsbeeinträchtigungen und Schäden am Produkt.

Kabelstärke	1,5 mm ²	2,5 mm ²
Eingangsspannung 100-120 V	20 m	40 m
Eingangsspannung 220-240 V	30 m	50 m

EG-KONFORMITÄTSERKLÄRUNG

EG-Konformitätserklärung

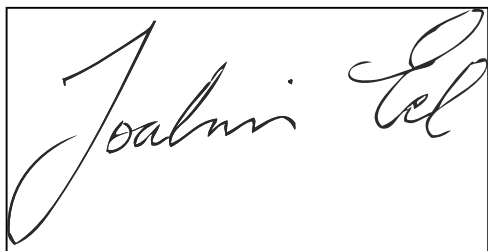
(nur für Europa)

Husqvarna AB, SE-561 82 Huskvarna, Schweden, Tel.: +46 36 146500, versichert hiermit, dass die Trennschleifer **Husqvarna K 4000** von den Seriennummern des Baujahrs 2018 an (die Jahreszahl wird im Klartext auf dem Typenschild angegeben, mitsamt der nachfolgenden Seriennummer) den Vorschriften folgender RICHTLINIEN DES RATES entsprechen:

- „Maschinenrichtlinie“ **2006/42/EC**, vom 17. Mai 2006.
- „Richtlinie über elektromagnetische Verträglichkeit“ **2014/30/EU**, vom 26. Februar 2014.
- „Richtlinie zur Beschränkung der Verwendung bestimmter gefährlicher Stoffe“ **2011/65/EU**, vom 8. Juni 2011.

Die folgenden Normen werden erfüllt: **EN ISO 12100:2010, EN 55014-1:2006+A1:2009+A2:2011, EN 55014-2:1997+A1:2001+A2:2008, EN 61000-3-2:2014, EN 61000-3-3:2013, EN 60745-1:2009, EN 60745-2-22:2011+A11:2013.**

Partille, 1 January 2018

A rectangular box containing a handwritten signature in black ink. The signature appears to read 'Joakim Ed' in a cursive script.

Joakim Ed

Global R&D Director

Baumaschinen Husqvarna AB

(Bevollmächtigter Vertreter für Husqvarna AB, verantwortlich für die technische Dokumentation)



www.husqvarna.com

Original instructions
Instructions d'origine
Originalanweisungen
Originele instructies

1158701-20



2018-02-01